

RICOH

RICOH PRIPORT VT3500

PARTS CATALOG

First Edition April1991

RICOH COMPANY, LTD.

PARTS CATALOG

INTRODUCTION

This chapter instructs you the numbers and names of these parts on this machine.

INDEX to PARTS CATALOG

VT3500

(C210)

TAPE MARKER TYPE 20

(C532)

VT3500 (C210)

PARTS CATALOG

INTRODUCTION

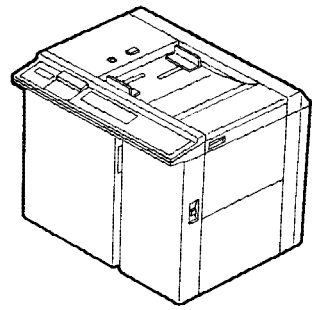
This chapter instructs you the numbers and names of these parts on this machine.

INDEX to PARTS CATALOG

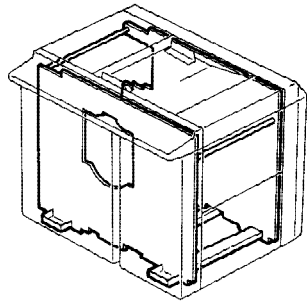
LOCATION OF UNIT	3	19. DRUM SECTION I (C210)	46
1. EXTERIOR (C210)	10	20. DRUM SECTION II (C210)	48
2. FRAME SECTION I (C210)	12	21. DRUM SECTION III (C210)	50
3. FRAME SECTION II (C210)	14	22. DRUM SECTION IV (C210)	52
4. DRIVE SECTION I (C210)	16	23. DRUM SECTION V (C210)	54
5. DRIVE SECTION II (C210)	18	24. SCANNER SECTION I (C210)	56
6. PAPER TABLE SECTION 1 (C210)	20	25. SCANNER SECTION II (C210)	58
7. PAPER TABLE SECTION II (C210)	22	26. SCANNER SECTION III (C210)	60
8. PAPER FEED ROLLER AND SEPARATION ROLLER (C210)	24	27. SCANNER SECTION IV (C210)	62
9. PAPER SEPARATION ROLLER (C210)	26	28. SCANNER SECTION V (C210)	64
10. PAPER DELIVERY SECTION I (C210)	28	29. SCANNER SECTION VI (C210)	66
11. PAPER DELIVERY SECTION II (C210)	30	30. PLOTTER SECTION I (C210)	68
12. PAPER DELIVERY SECTION III (C210)	32	31. PLOTTER SECTION II (C210)	70
13. PAPER DELIVERY SECTION IV (C210)	34	32. PLOTTER SECTION III (C210)	72
14. DELIVERY TABLE I (C210)	36	33. PLOTTER SECTION IV (C210)	74
15. DELIVERY TABLE II (C210)	38	34. MASTER EJECT SECTION I (C210)	76
16. PAPER EXIT SECTION I (C210)	40	35. MASTER EJECT SECTION II (C210)	78
17. PAPER EXIT SECTION II (C210)	42	36. MASTER EJECT SECTION III (C210)	80
18. PAPER EXIT SECTION III (C210)	44	37. ELECTRICAL SECTION I (C210)	82
		38. ELECTRICAL SECTION II (C210)	84

39. CASSETTE (C210)	86
40. TABLE SECTION (C210)	88
41. MAIN BOARD (C210)	90
42. AC DRIVE BOARD (C210)	95
43. IMAGE PROCESSING BOARD (C210)	97
44. THERMAL HEAD DRIVE BOARD (C210)	102
45. A/D CONVERSION BOARD (C210)	105
46. POWER SUPPLY UNIT (C210)	110
47. DC DRIVE HARNESS (C210)	114
48. DECAL AND DOCUMENT (C210)	116
49. ACCESSORIES AND SPECIAL TOOLS (C210)	122
Parts Index	124

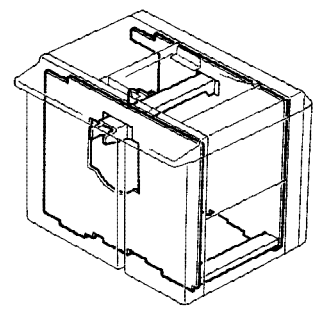
1. EXTERIOR



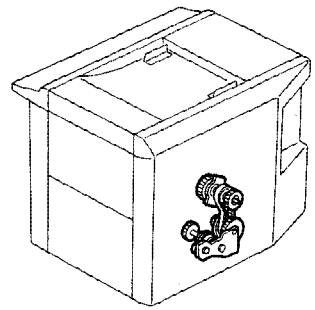
2. FRAME SECTION I



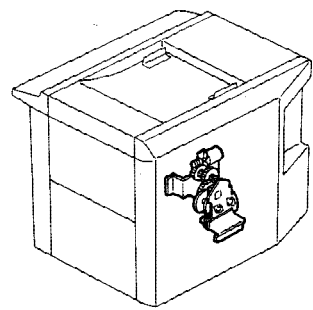
3. FRAME SECTION II



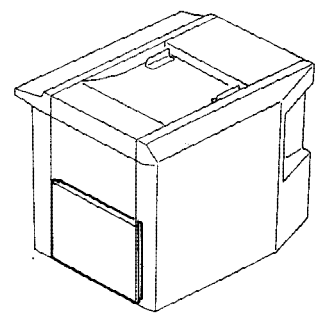
4. DRIVE SECTION I



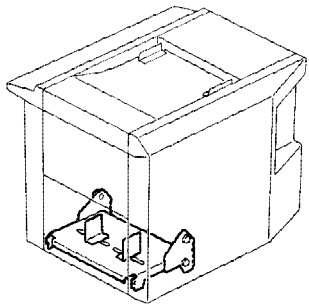
5. DRIVE SECTION II



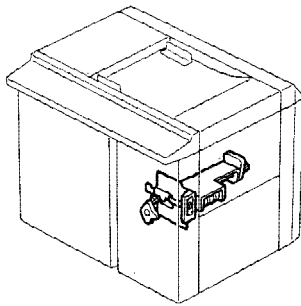
6. PAPER TABLE SECTION I



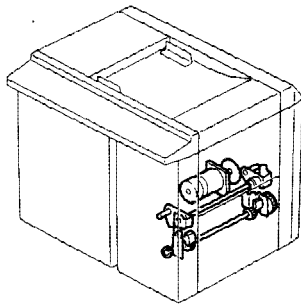
7. PAPER TABLE SECTION II



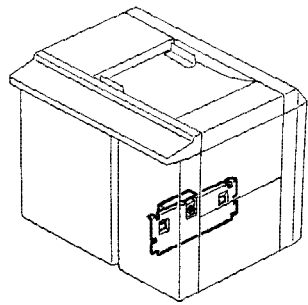
8. PAPER FEED ROLLER AND SEPARATION ROLLER



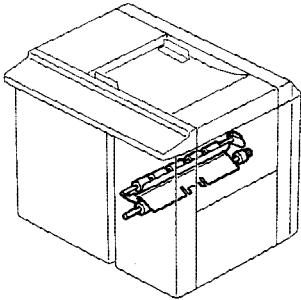
9. PAPER SEPARATION ROLLER



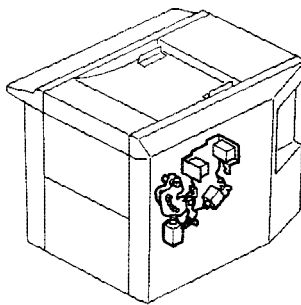
10. PAPER DELIVERY SECTION I



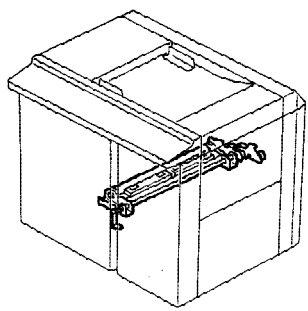
11. PAPER DELIVERY SECTION II



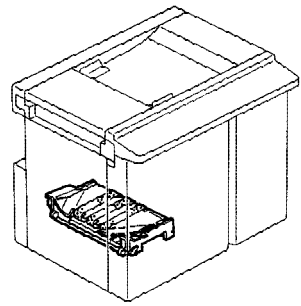
12. PAPER DELIVERY SECTION III



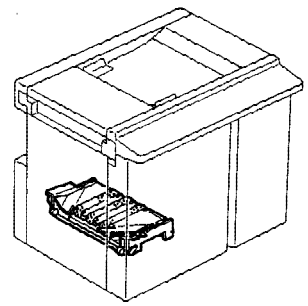
13. PAPER DELIVERY SECTION IV



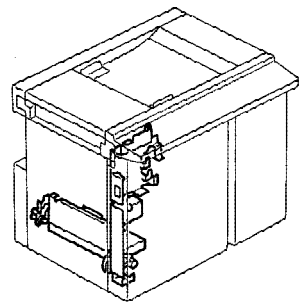
14. DELIVERY TABLE I



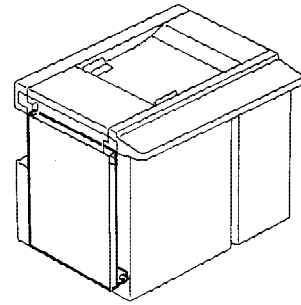
15. DELIVERY TABLE II



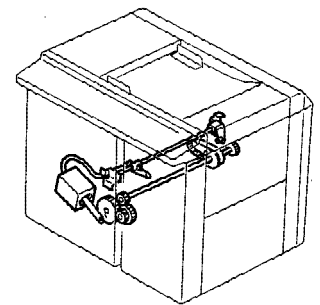
16. PAPER EXIT SECTION I



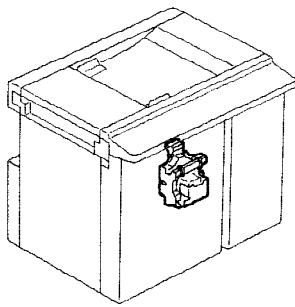
17. PAPER EXIT SECTION II



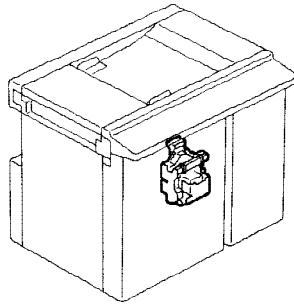
18. PAPER EXIT SECTION III



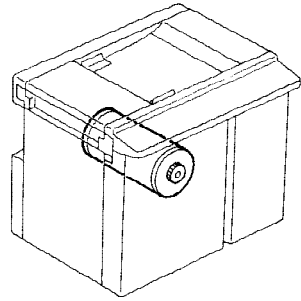
19. DRUM SECTION I



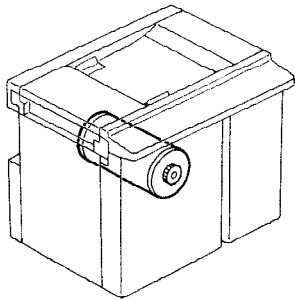
20. DRUM SECTION II



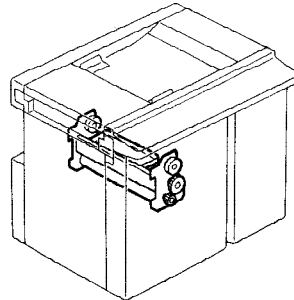
21. DRUM SECTION III



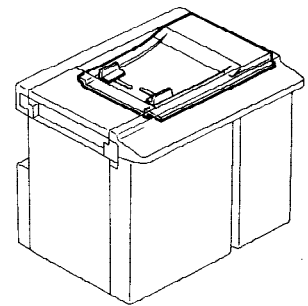
22. DRUM SECTION IV



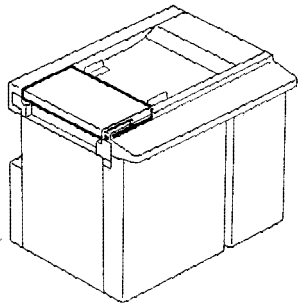
23. DRUM SECTION V



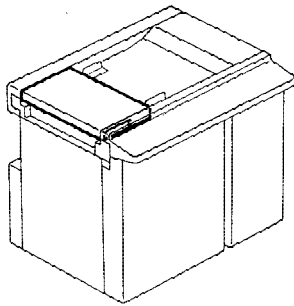
24. SCANNER SECTION I



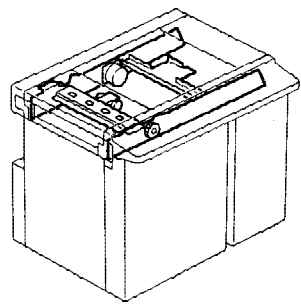
25. SCANNER SECTION II



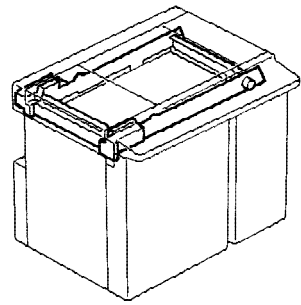
26. SCANNER SECTION III



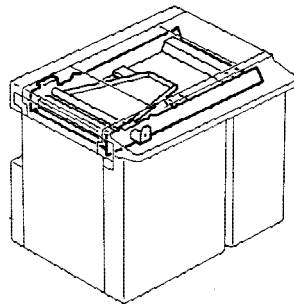
27. SCANNER SECTION IV



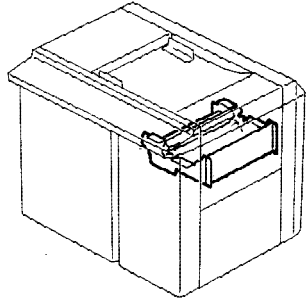
28. SCANNER SECTION V



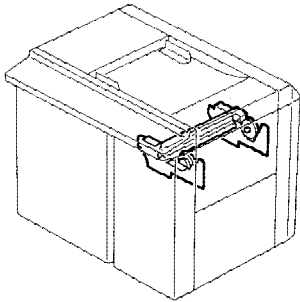
29. SCANNER SECTION VI



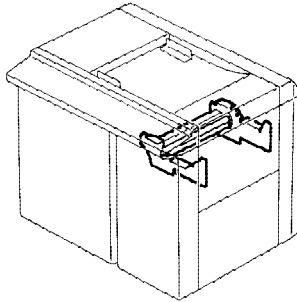
30. PLOTTER SECTION I



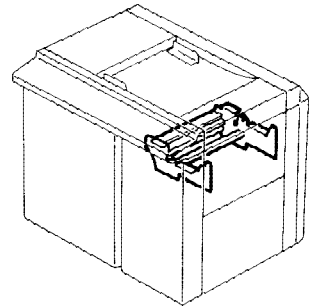
31. PLOTTER SECTION II



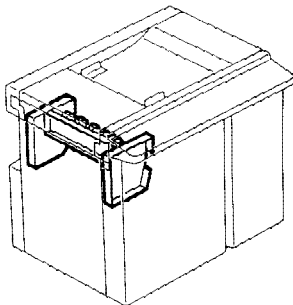
32. PLOTTER SECTION III



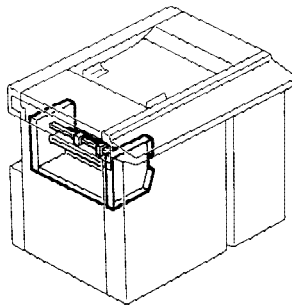
33. PLOTTER SECTION IV



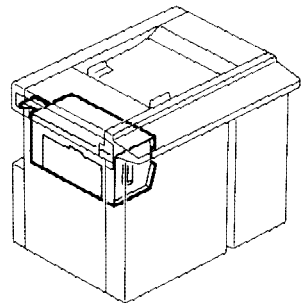
34. MASTER EJECT SECTION I



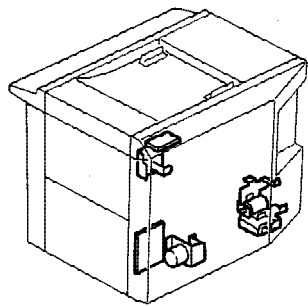
35. MASTER EJECT SECTION II



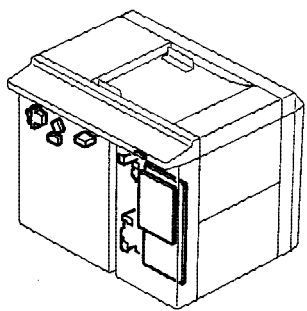
36. MASTER EJECT SECTION III



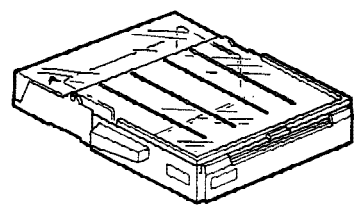
37. ELECTRICAL SECTION I



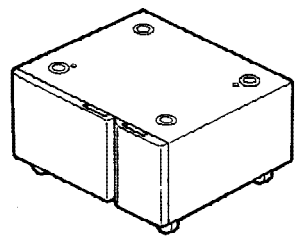
38. ELECTRICAL SECTION II

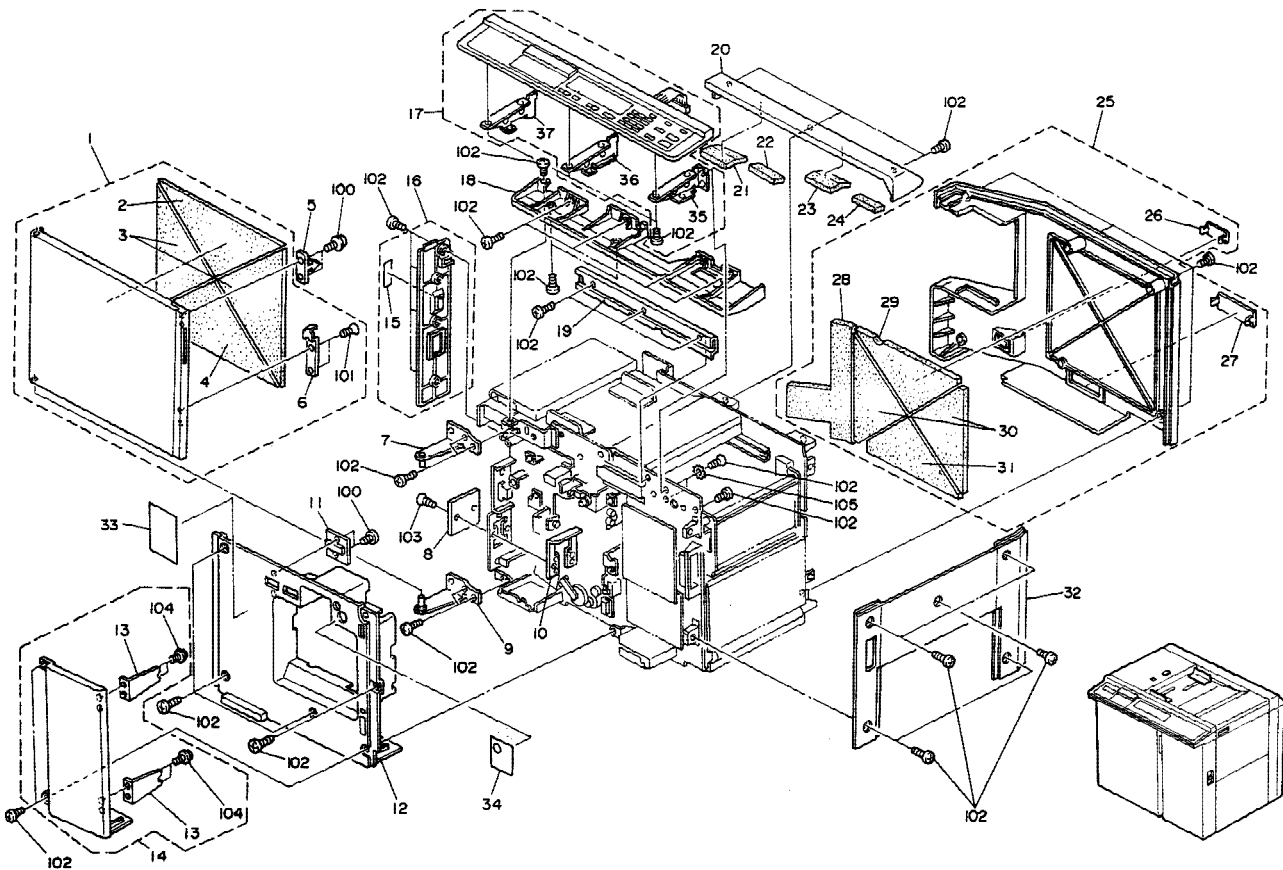


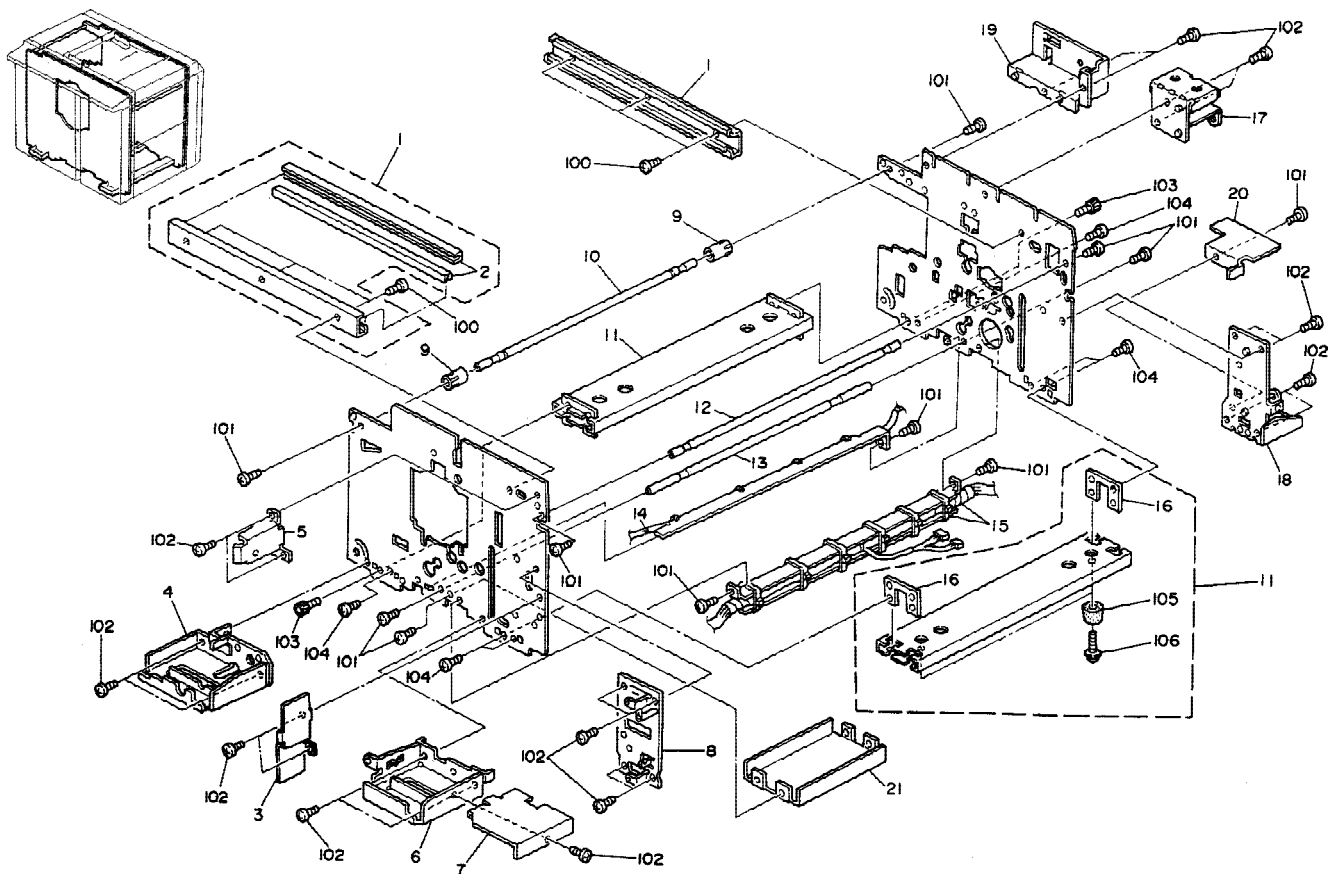
39. CASSETTE



40. TABLE SECTION



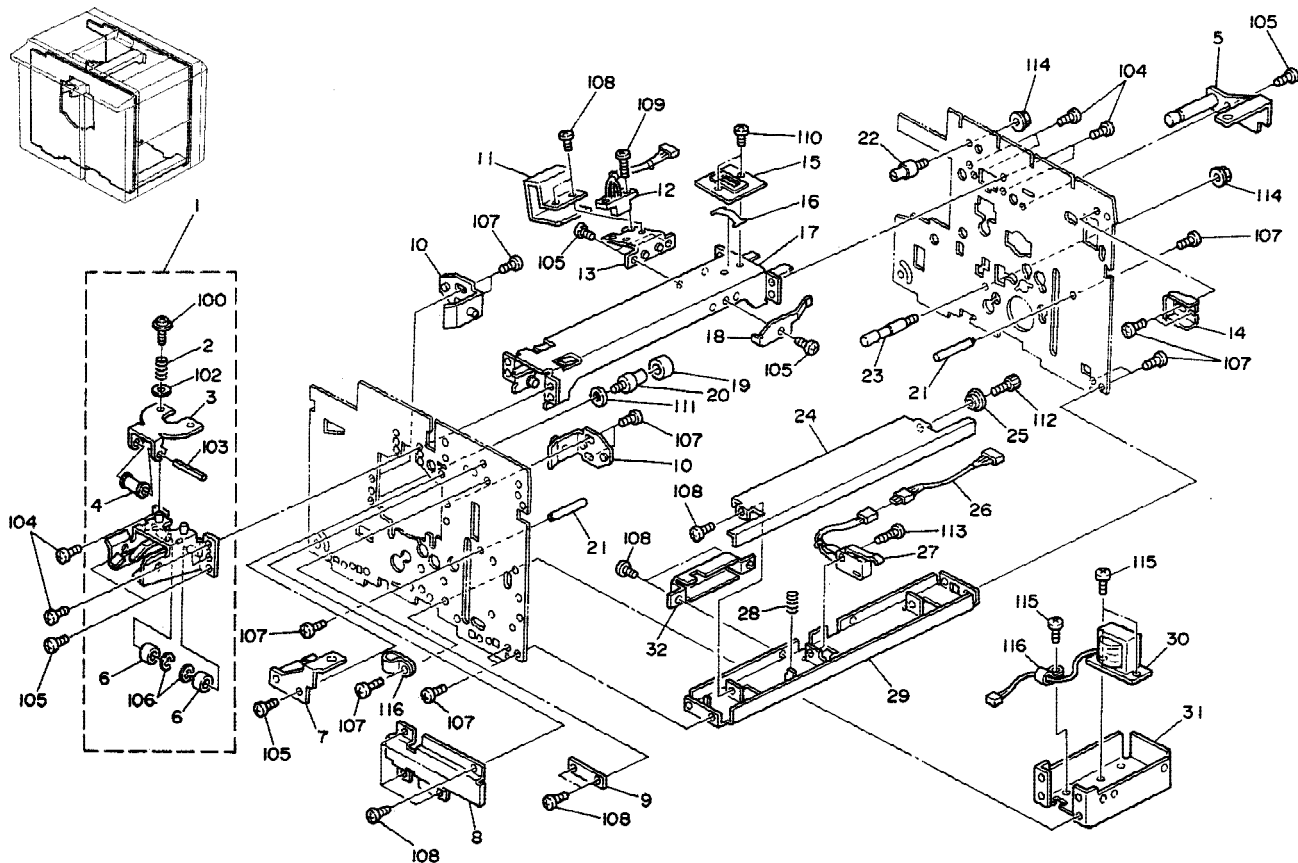




2. FRAME SECTION I (C210)

Index No.	Part No.	Description	Q'ty per Assembly
1	C209 3010	Slider Rail	2
2	C209 3021	Edging	4
3	C210 2186	Right Cover Bracket	1
4	C209 2107	Left Grip - Paper Delivery	1
5	C209 2413	Right Cover Bracket	1
6	C209 2061	left Grip - paper Feed	1
7	C209 2062	Left Grip Cover	1
8	C209 2120	IP Board Bracket	1
9	C203 2092	Roller - Front Shaft	2
10	C203 2091	Front Shaft	1
11	C209 2004	Bottom Stay	2
12	C209 2050	Front Stay	1
13	C209 2111	Shaft	1
14	C210 8425	AC Drive Harness	1
15	C210 8401	AC Drive Harness	1
16	C203 2096	Bottom Stay Nut	4
17	C209 2441	Rear Middle Bracket	1
18	C209 2150	Rear Right Grip - Paper Feed	1
19	C209 2439	Rear Bracket	1
20	C210 2177	Right Grip Cover	1
21	C210 2094	Bottom Harness Cover	1

Index No.	Part No.	Description	Q'ty per Assembly
100	0801 1004	Screw - M4x4	
101	0314 0080Z	Philips Screw - 4x8	
102	0434 0080Z	Tapping Screw - M4x8	
103	0595 0120E	Socket Screw - M5x12	
104	0315 0120Z	Philips Screw - 5x12	
105	0805 6009	Rubber Foot	
106	0951 5035Z	Philips Screw With Flat Washer - M5	

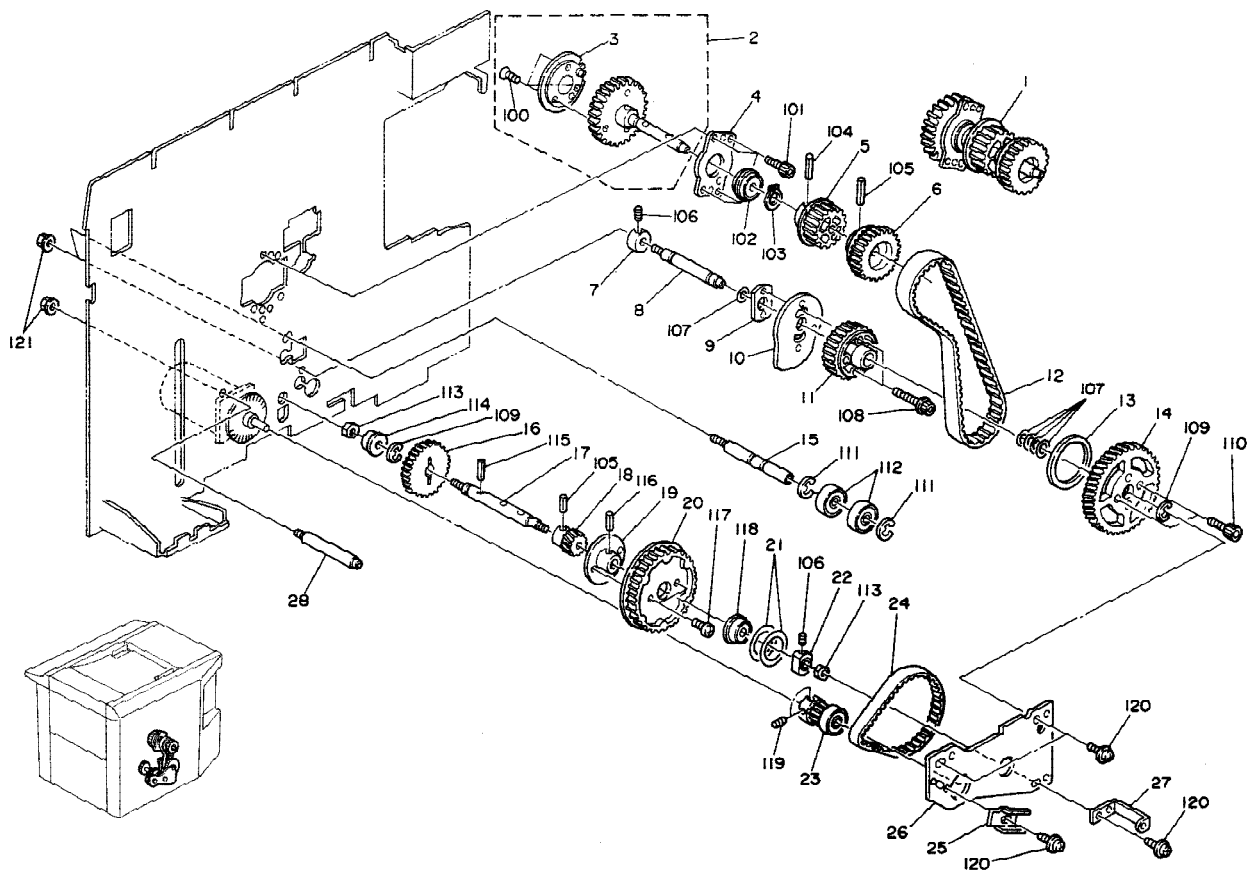


3. FRAME SECTION II (C210)

April 25, '91

Index No.	Part No.	Description	Q'ty per Assembly
1	C203 4505	Drum Stopper Ass'y	1
2	C201 4533	Drum Stopper Spring	1
3	C201 4531	Drum Stopper Pawl	1
4	C201 4532	Drum Stopper Roller	1
5	C209 2056	Right Fixing Plate	1
6	C201 4604	Drum Rail Roller	2
7	C209 2052	Left Fixing Plate	1
8	C209 3124	Flat Cable Cover	1
9	C209 3125	Support Plate - Flat Cable	1
10	C200 4520	Lock Pin - Drum	2
11	C207 4518	Drum Sensor Cover	1
12	C209 8116	Drum Master Detection Sensor	1
13	C209 4517	Drum Sensor Bracket	1
14	C209 3045	Slider Stopper	1
15	C203 4511	Spring Plate Supporter	1
16	C203 4512	Grounding Spring Plate	1
17	C209 4502	Drum Rail Stay	1
18	C200 4528	Plate Spring - Drum Rail	1
19	5501 4719	Rubber Ring - Stopper	1
20	C200 3716	Cushion Shaft	1
21	C209 4190	Stud	2
22	C203 3047	Stopper Stud	1
23	C209 2110	Drive Support Shaft	1
24	C209 5071	Safety Switch Plate	1
25	5403 2048	Bushing - 4mm	1
26	C209 8295	Safety Switch Relay Harness	1
27	C210 8439	Safety Switch - 220/240V	1
28	AA06 3016	Pressure Spring	1
29	C209 2429	Support Bracket - Paper Feed Cover	1
30	C210 8155	Transformer - 220/240V	1
30	C210 8158	Transformer - 115V	1
31	C203 2018	Transformer Bracket	1
32	C210 2091	Harness Cover	1

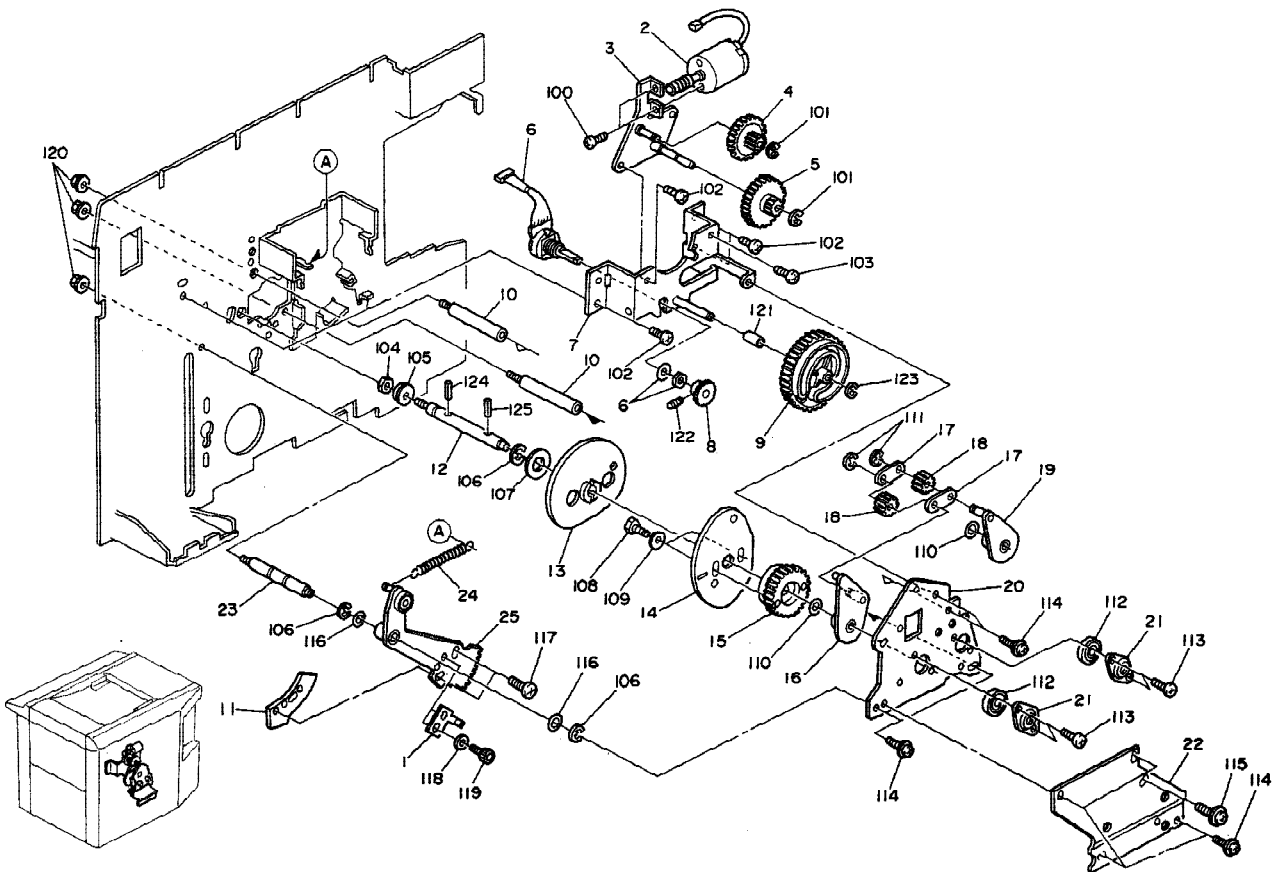
Index No.	Part No.	Description	Q'ty per Assembly
100	0951 3006Z	Philips Screw With Flat Washer - M3	
102	0708 0050Z	Flat Washer - M5	
103	0622 0250E	Spring Pin M2x250	
104	0434 0100Z	Pan Head Self-tapping Screw - M4x10	
105	0434 0080Z	Tapping Screw - M4x8	
106	0720 0050Z	Retaining Ring - M5	
107	0314 0080Z	Philips Screw - 4x8	
108	0314 0060Z	Philips Pan Head Screw - M4x6	
109	0313 0060Z	Philips Pan Head Screw - M3x6	
110	0801 1135	Philips Pan Head Screw - M3x3	
111	0807 3083	Washer	
112	0594 0080E	Bolt - M4x8	
113	0313 0120Z	Philips Screw - 3x12	
114	0713 0050B	Hexagon Nut - M5	
115	0905 4005Z	Philips Flange Screw - M4x5	
116	1105 0009	Nylon Clip - 5N	



4. DRIVE SECTION I (C210)

Index No.	Part No.	Description	Q'ty per Assembly
1	C209 2330	Drum Drive Gear/Pulley Ass'y	1
2	C209 2218	Drum Drive Gear/Pulley	1
3	C209 2220	Support Gear - 30Z	1
4	C200 2248	Fixing Plate	1
5	C203 2317	Pullet - 26T	1
6	C201 2217	Gear - 50T	1
7	C200 2221	Collar - Pressure Cam Shaft	1
8	C200 2225	Pressure Cam Shaft	1
9	C200 2224	Plate Nut - Print Pressure Cam	1
10	C209 5560	Press Roller Cam	1
11	C203 2312	Pulley	1
12	C203 2316	Timing Belt	1
13	C203 2327	Pulley Flange	1
14	C203 2326	Gear - 90Z	1
15	C203 2315	Tension Shaft	1
16	C209 2214	Gear - 40Z	1
17	C209 2216	Driver Shaft	1
18	C203 2215	Gear - 18T	1
19	C203 2311	Gear Flange	1
20	C207 2209	Pulley - 60Z	1
21	C200 2267	Spacer	2
22	C200 2217	Collar	1
23	C209 2207	Pulley - 12Z	1
24	C207 2210	Timing Belt - 100S4.5M297	1
25	C207 2211	Bearing Stopper	1
26	C209 2309	Support Side Plate	1
27	C209 2308	Support Bracket - Rear Cover	1
28	C200 2232	Drive Shaft	2

Index No.	Part No.	Description	Q'ty per Assembly
100	0323 0080Z	Sunk Screw - 3x8	
101	0594 0080E	Bolt - M4x8	
102	0805 3134	Ball Bearing - 10x26x8mm	
103	0725 0100Z	Retaining Ring - M10	
104	0804 4048	Spring Pin - 4x20	
105	0804 4046	Spring Pin - 4x16	
106	0574 0040E	Hexagon Headless Set Screw - M4x4	
107	0807 7013	Spacer - 10.2 x 14 x 0.2 mm	
108	0804 6092	Hexagonal Set Screw	
109	0720 0080Z	Retaining Ring - M8	
110	0595 0120E	Socket Screw - M5x12	
111	0720 0100Z	Retaining Ring - M10	
112	0740 3012	Ball Bearing - 12x28x8	
113	0712 0060Z	Hexagon Nut - M6	
114	0741 3807S	Bearing	
115	0623 0200E	Spring Pin - 3x20mm	
116	0623 0140E	Spring Pin - 3x14mm	
117	0315 0060Z	Philips Screw - 5x6	
118	0741 3908S	Bearing	
119	0574 0050E	Hexagon Headless Set Screw - M4x5	
120	0960 4008Z	Flange Head Screw - 4 x 8	
121	0713 0050B	Hexagon Nut - M5	

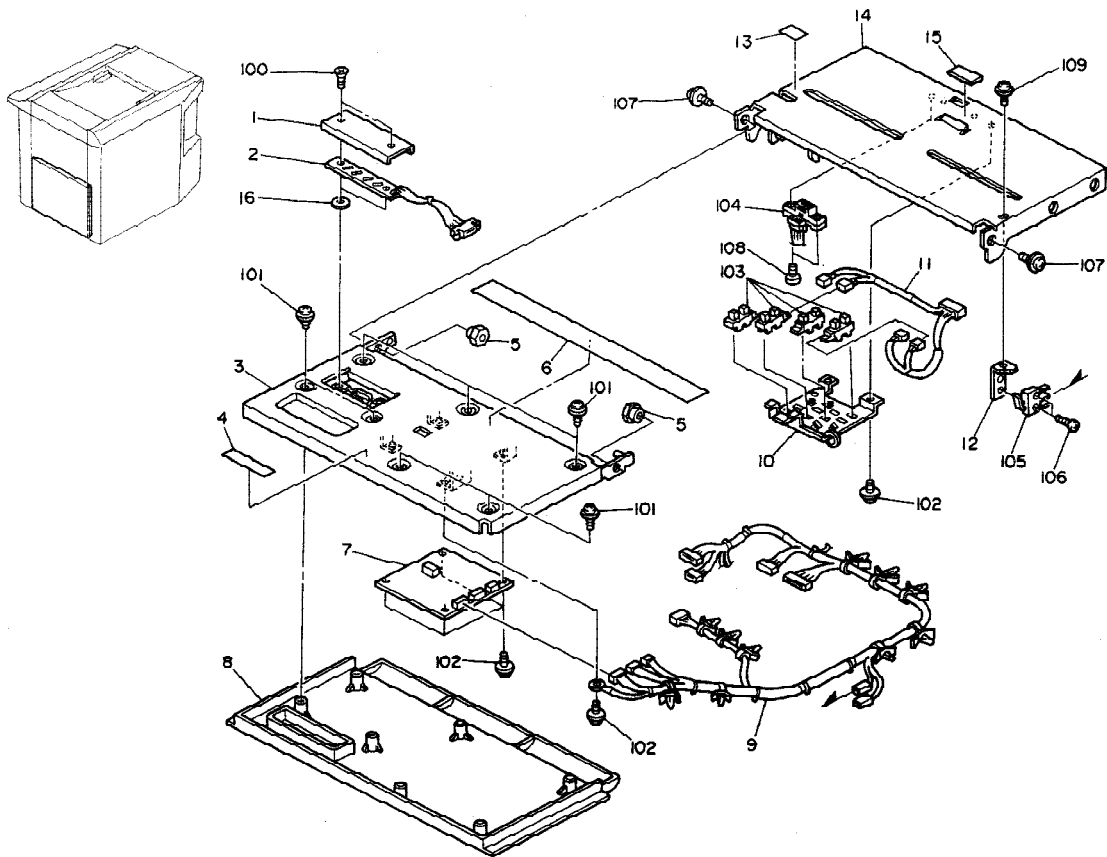


5. DRIVE SECTION II (C210)

April 25, '91

Index No.	Part No.	Description	Q'ty per Assembly
1	C203 5191	Sector Gear Stopper	1
2	A000 5507	Lift Motor - DC 1.69W	1
3	C209 2325	Motor Bracket	1
4	5205 2681	Coupled Gear - 17T/50T	1
5	5205 2680	Coupled Gear - 16T/53T	1
6	C209 8280	Image Position Sensor	1
7	C209 2321	Bracket - Image Shifting	1
8	C201 2221	Gear - 40T	1
9	C201 2222	Coupled Gear - 20T & 60T	1
10	C201 2211	Stud	2
11	C200 5223	Lift Cam	1
12	C201 2228	Feed Cam Shaft	1
13	C201 5110	Paper Feed Cam	1
14	C200 5250	Second Feed Roller Cam	1
15	C201 2229	Gear - 50T	1
16	C200 2302	Image Shifting Arm - Large	1
17	C200 2311	Image Shifting Link	2
18	C201 2226	Gear - 22T	2
19	C200 2308	Image Shifting Arm - Small	1
20	C209 2304	Support Side Plate	1
21	C200 2266	Bearing Holder	2
22	C203 2318	Reinforcement Plate	1
23	C203 2072	Feed Cam Shaft	1
24	C200 5222	Sector Spring	1
25	C203 5184	Sector Gear	1

Index No.	Part No.	Description	Q'ty per Assembly
100	0313 0040B	Philips Pan Head Screw - M3x4	
101	0720 0040Z	Retaining Ring - M4	
102	0434 0080Z	Tapping Screw - M4x8	
103	0314 0080Z	Philips Screw - 4x8	
104	0712 0060Z	Hexagon Nut - M6	
105	0741 3807S	Bearing	
106	0720 0080Z	Retaining Ring - M8	
107	0807 7055	Holder - Main Shaft	
108	0585 0100Z	Bolt - M5x10	
109	0701 0050Z	Flat Washer - M5	
110	0807 7013	Spacer - 10.2 x 14 x 0.2 mm	
111	0720 0080Z	Retaining Ring - M8	
112	0805 3104	Ball Bearing - 8x22x7mm	
113	0801 1135	Philips Pan Head Screw - M3x3	
114	0960 4008Z	Flange Head Screw - 4 x 8	
115	0960 5008Z	Philips Flange Screw - M5x8	
116	0807 7018	Washer - M10	
117	0315 0080Z	Philips Screw - 5x8	
118	0701 0040Z	Flat Washer - M4	
119	0594 0060E	Socket Screw - 4x6	
120	0713 0050B	Hexagon Nut - M5	
121	0707 6120B	Bushing - 6x12mm	
122	0573 0050E	Hexagon Headless Set Screw - M3x5	
123	0720 0050Z	Retaining Ring - M5	
124	0624 0160E	Spring Pin - 4x16mm	
125	0804 4048	Spring Pin - 4x20	

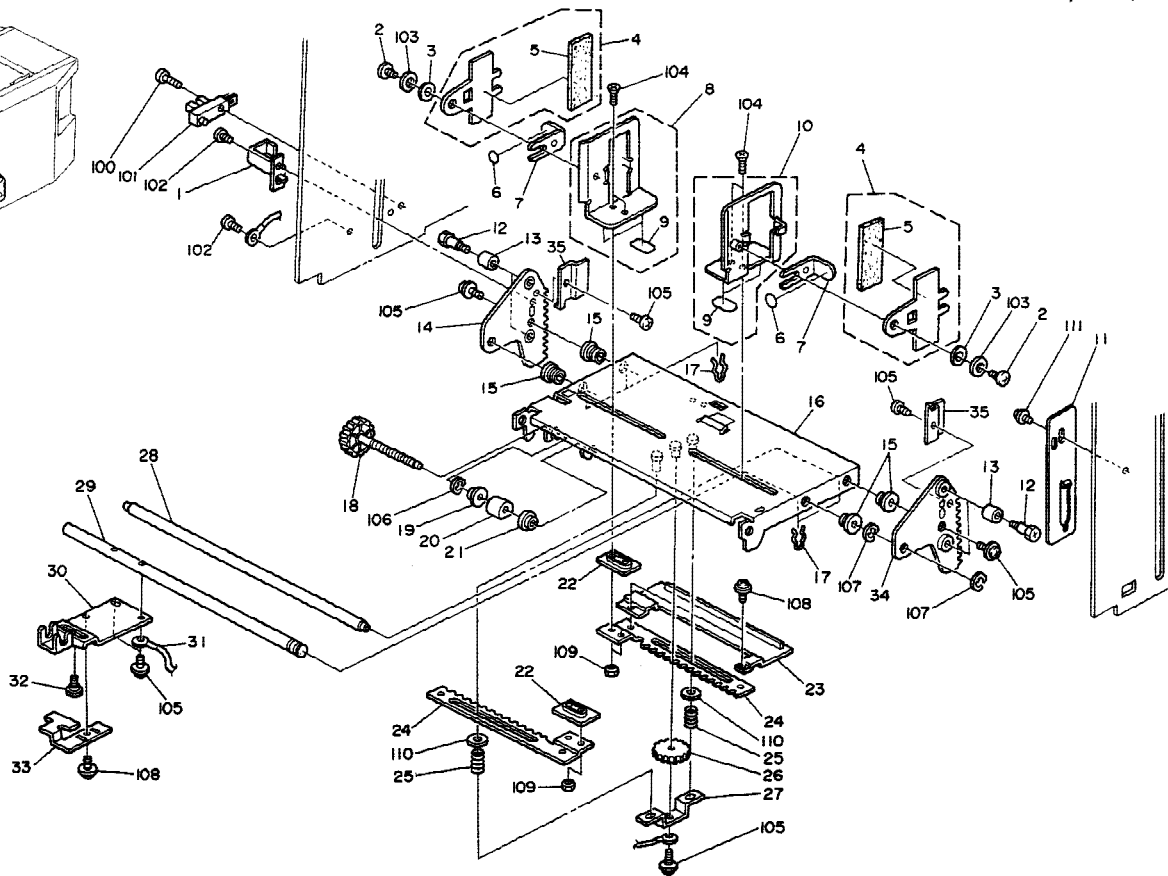


6. PAPER TABLE SECTION 1 (C210)

April 25, '91

Index No.	Part No.	Description	Q'ty per Assembly
1	C209 5073	Sensor Cover	1
2	5447 5211	Paper Size Detector	1
3	C210 5065	Paper Table Bottom Plate	1
4	C200 5025	Paper Feed Plate Shield	1
5	C200 5038	Screw Collar	2
6	C210 2805	Decal - Paper Size - LT	1
6	C210 2806	Decal - Paper Size - A4	1
7	C209 8021	Paper Detection Board	1
8	C209 2423	Paper Feed Table Cover	1
9	C209 8113	Harness - Paper Detection Board	1
10	C209 5055	Bracket - Paper Size	1
11	C209 8197	Paper Size Sensor Harness	1
12	C209 5047	Switch Bracket - Paper Table	1
13	C203 2453	Decal - Paper Feed Table	1
14	C209 5041	Paper Table	1
15	5507 6828	Rubber Plate - Feed Table	1
16	C209 5078	Insulating Sheet	2

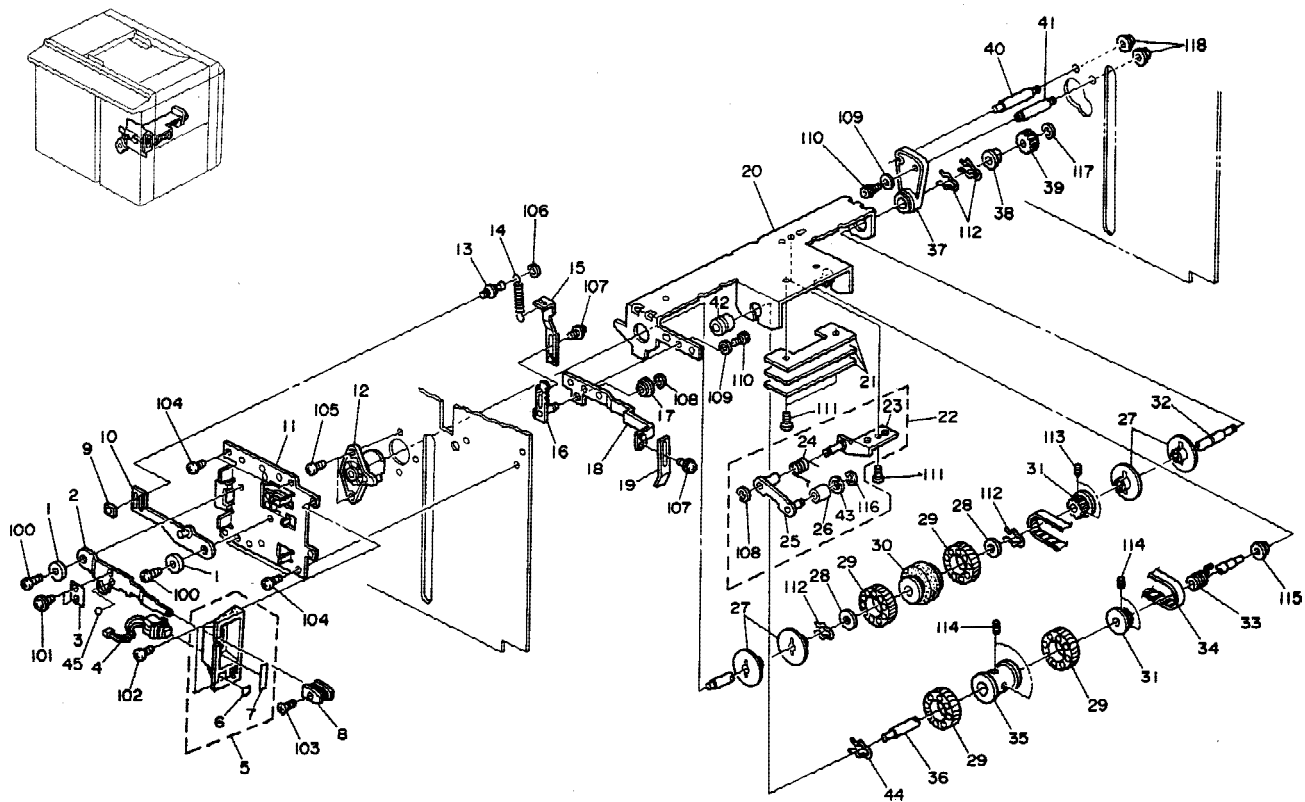
Index No.	Part No.	Description	Q'ty per Assembly
100	0323 0100W	Philips Sunken Head Screw - M3 x 10	
101	0965 3010W	Tapping Screw With Flat Washer - M3x10	
102	0951 3005Z	Philips Pan Head Screw - M3 x 5	
103	1403 0690	Sensor - TLP1215	
104	1403 0456	Photo Sensor	
105	1204 2239	Micro Switch	
106	0800 0084	Philips Pan Head Screw - M2.3x12	
107	0951 4010Z	Philips Screw With Flat Washer M4 x	
108	0313 0100Z	Philips Pan Head Screw - M3x10	
109	0951 3004Z	Philips Screw With Flat Washer - M3x4	



7. PAPER TABLE SECTION II (C210)

Index No.	Part No.	Description	Q'ty per Assembly
1	C201 5040	Actuator - Table Lower Limit Switch	1
2	5506 1536	Screw - M4x6	2
3	5070 0923	Spring Washer - Rotating Table	2
4	C209 5090	Rubber Plate - Paper Feed Guide	2
5	C200 5287	Rubber Plate - Paper Feed	2
6	C201 5015	Seal - M10	2
7	C209 5092	Rubber Plate Lever	2
8	C209 5082	Paper Feed Guide - Left Side	1
9	5506 6314	Mylar - Master Feed Table	4
10	C209 5085	Paper Feed Guide - Right Side	1
11	C209 5235	Paper Table Holder	1
12	C203 5142	Rack Shaft	4
13	5606 2310	Roller	4
14	C203 5128	Left Rack - Paper Feed	1
14	C203 5128	Left Rack - Paper Feed	1
15	C203 5121	Bushing - 8x12x9mm	4
16	C209 5041	Paper Table	1
17	5600 1107	Snap Retainer - 12	2
18	C209 5054	Table Position Knob	1
19	C203 5113	Bushing - 6x9x3mm	1
20	C203 5116	Washer - 6x13x12mm	1
21	C203 5114	Bushing - 3x6x3mm	1
22	C200 5335	Side Plate Slider	2
23	C209 5058	Paper Size Plate	1
24	C209 5050	Paper Guide Rack	2
25	5505 7197	Spring - Hinge - Inking	2
26	5309 1023	Pinion Paper Feed Table	1
27	C203 5105	Supporter	1
28	C200 5042	Rear Shaft - Paper Feed	1
29	C203 5122	Front Shaft - Paper Feed	1
30	C209 5053	Arm - Paper Table	1
31	C209 8113	Harness - Paper Detection Board	1
32	C201 5125	Shoulder Screw - M4	1
33	C207 5120	Position Indicator	1
34	C203 5126	Right Rack - Paper Feed	1

Index No.	Part No.	Description	Q'ty per Assembly
35	C203 5131	Gear Cover	2
100	0314 0120Z	Philips Screw - 4x12	
101	1403 0539	Photointerruptor - EE-SX450-PI	
102	0314 0080Z	Philips Screw - 4x8	
103	0701 0080Z	Flat Washer - M8	
104	0323 0100Z	Philips Sunken Head Screw - M3x10	
105	0951 4008Z	Philips Screw With Flat Washer M4 x	
106	0720 0040Z	Retaining Ring - M4	
107	0720 0060Z	Retaining Ring - M6	
108	0951 3006Z	Philips Screw With Flat Washer - M3	
109	0710 0030Z	Hex Nut 3	
110	0700 0060Z	Flat Washer - M6	
111	0951 3008Z	Philips Screw With Flat Washer - M3	



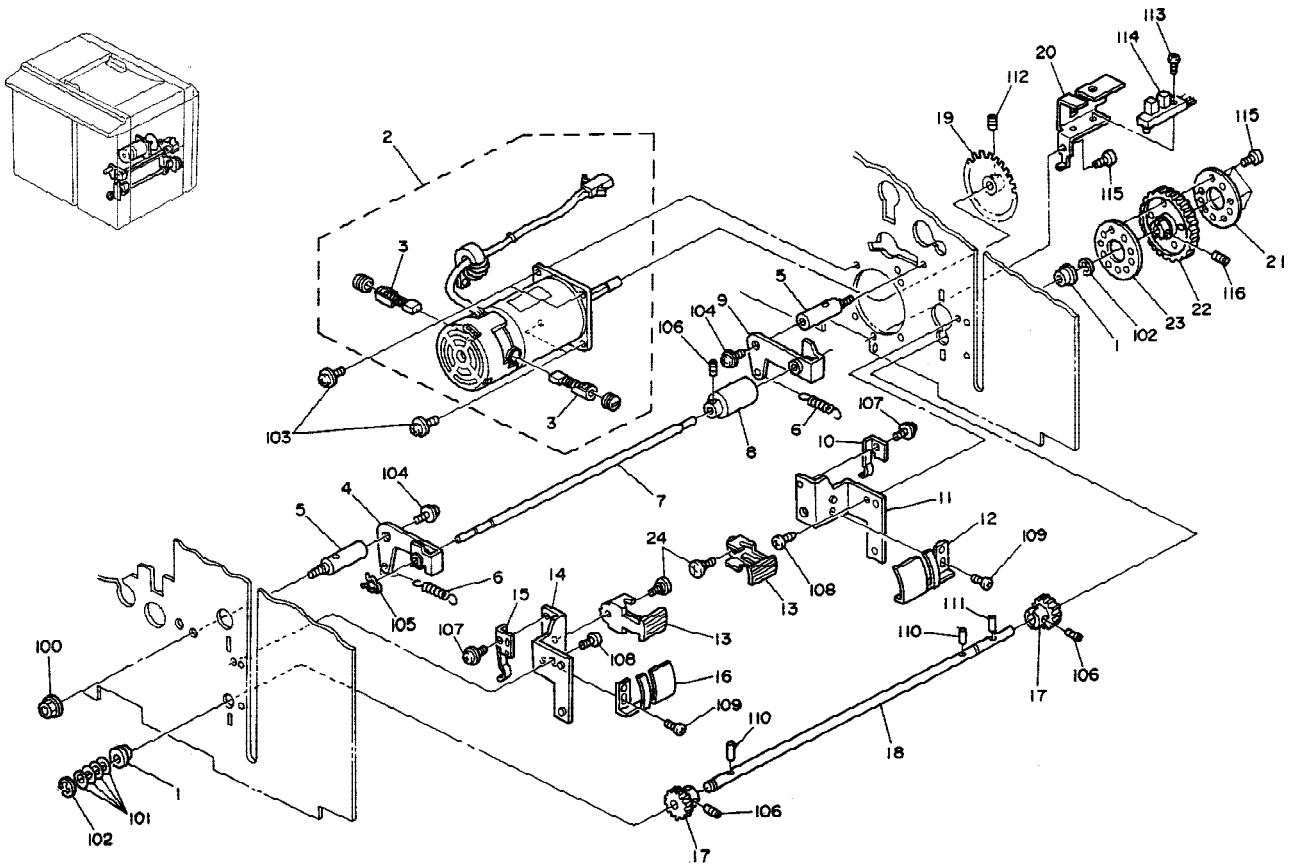
8. PAPER FEED ROLLER AND SEPARATION ROLLER (C210)

April 25, '91

Index No.	Part No.	Description	Q'ty per Assembly
1	C209 5220	Spacer - 4x20x6	2
2	C203 5007	Paper Feed Lever	1
3	5501 8180	Flat Spring - Feed Roller Pressure	1
4	C209 8288	Table Down Switch	1
5	C210 2766	Lever Cover - Paper Feed - A4	1
5	C210 2779	Lever Cover - Paper Feed - LT	1
6	C210 2789	Decal - Paper Table Down - LT	1
6	C210 2792	Decal - Table Down - A4	1
7	C210 2793	Decal - Paper Feed Pressure	1
8	C201 2425	Adjusting Lever	1
9	5506 4235	Plate Nut - Paper Pressure	1
10	C203 5013	Lever Supporter	1
11	C209 2027	Lever Bracket - Paper Feed	1
12	C203 5045	Bushing - 18x24x28mm	1
13	C209 5080	Stepped Screw	1
14	C203 5020	Spring - Feed Roller Pressure	1
15	C209 5081	Spring Link	1
16	C203 5027	Adjusting Plate	1
17	C203 5113	Bushing - 6x9x3mm	1
18	C209 5035	Arm - Feed Roller Holder	1
19	C203 5055	Actuator - Paper Feed Table	1
20	C209 5225	Feed Roller Holder	1
21	C201 5073	Arm Balancer - Feed Roller	3
22	C203 5205	Belt Tensioner Ass'y	1
23	C203 5208	Tension Bracket	1
24	C203 5215	Tension Spring	1
25	C203 5201	Tension Arm	1
26	C203 5200	Tension Roller	1
27	5606 2066	Paper Feed Guide Disc	4
28	5600 1086	Spacer - 10.2 x 20	2
29	5506 4169	Rubber Roller - Paper Feed	4
30	C207 5023	Separator Roller Ass'y	1
31	5507 6032	Timing Belt Pulley - 30T	2
32	C207 5020	Upper Roller Shaft	1
33	5507 6038	Torque Limiter - Paper Feed Roller	1



Index No.	Part No.	Description	Q'ty per Assembly
34	5507 6035	Timing Belt - 162XL	1
35	5507 6015	Paper Feed Roller	1
36	C203 5043	Pick-up Roller Shaft	1
37	C203 5046	Bushing - 14x20x9mm	1
38	5053 0419	Bushing - 10mm	1
39	C209 5229	Gear - 18Z	1
40	C203 5050	Rear Bushing Stud	1
41	C203 5049	Front Bushing Stud	1
42	5600 1081	Right Bushing - Paper Feed Roller	1
43	C203 5225	Spacer - 8x11x1	1
44	5600 1107	Snap Retainer - 12	1
45	5501 8195	Steel Ball 3/16,	1
100	0314 0100Z	Philips Screw - 4x10	
101	0951 3006Z	Philips Screw With Flat Washer - M3	
102	0801 1004	Screw - M4x4	
103	0323 0100Z	Philips Sunken Head Screw - M3x10	
104	0434 0080Z	Tapping Screw - M4x8	
105	0314 0080Z	Philips Screw - 4x8	
106	0720 0040Z	Retaining Ring - M4	
107	0951 3005Z	Philips Pan Head Screw - M3 x 5	
108	0720 0040Z	Retaining Ring - M4	
109	0701 0040Z	Flat Washer - M4	
110	0594 0080E	Bolt - M4x8	
111	0314 0060Z	Philips Pan Head Screw - M4x6	
112	0804 4055	Pin	
113	0574 0040E	Hexagon Headless Set Screw - M4x4	
114	0554 0040E	Allen Screw - M4x4	
115	0805 3263	Bearing - 6 x 10 x 6mm	
116	0720 0060Z	Retaining Ring - M6	
117	0720 0050Z	Retaining Ring - M5	
118	0713 0040B	Hexagon Nut - M4	

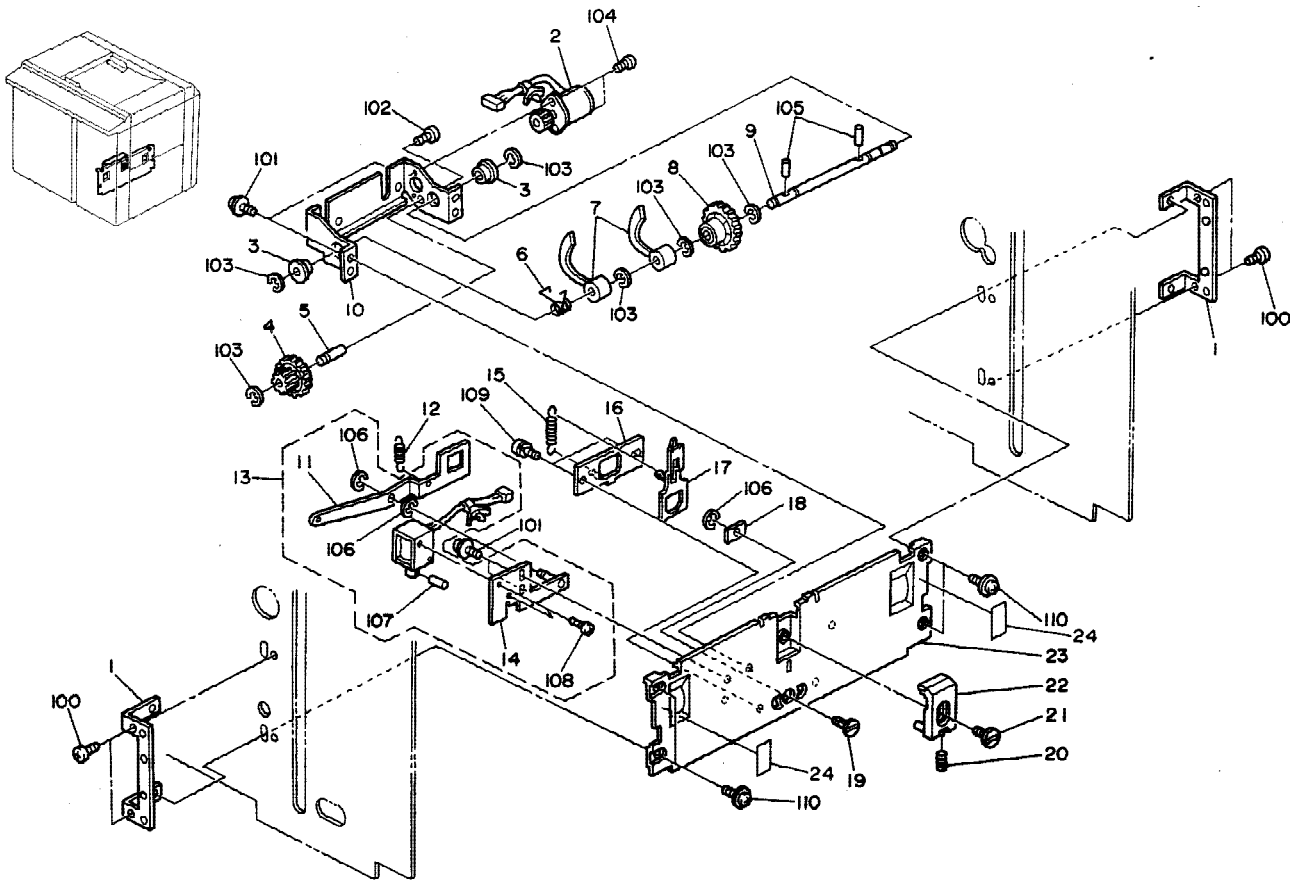


9. PAPER SEPARATION ROLLER (C210)

Index No.	Part No.	Description	Q'ty per Assembly
1	C203 5135	Bushing - 10x14x5.9	2
2	C209 8200	DC Main Motor - 108W	1
3	C209 8202	Commutation Brush	2
4	C203 5062	Left Arm - Separation	1
5	C201 5090	Separation Roller Pressure Stud	2
6	C207 5070	Separation Roller Pressure Spring	2
7	C209 5096	Separation Roller Shaft	1
8	C209 5095	Lower Separation Roller	1
9	C203 5066	Right Arm - Separation	1
10	C209 5208	Spring Plate - Right Lever	1
11	C209 5206	Right Lever Bracket	1
12	C209 5211	Right Lever Cover	1
13	C209 5209	Separation Pressure Lever	2
14	C209 5205	Left Lever Bracket	1
15	C209 5207	Spring Plate - Left Lever	1
16	C209 5210	Left Lever Cover	1
17	C201 5051	Pinion - 24T	2
18	C203 5133	Paper Feed Table Shaft	1
19	C203 2309	Pulse Disk	1
20	C200 2205	Bracket - Drum Rotation Sensor	1
21	C201 5045	Rear Gear Support	1
22	C200 5096	Worm Wheel Gear - 18T	1
23	C201 5046	Front Gear Support	1
24	5403 2075	Stepped Screw	2



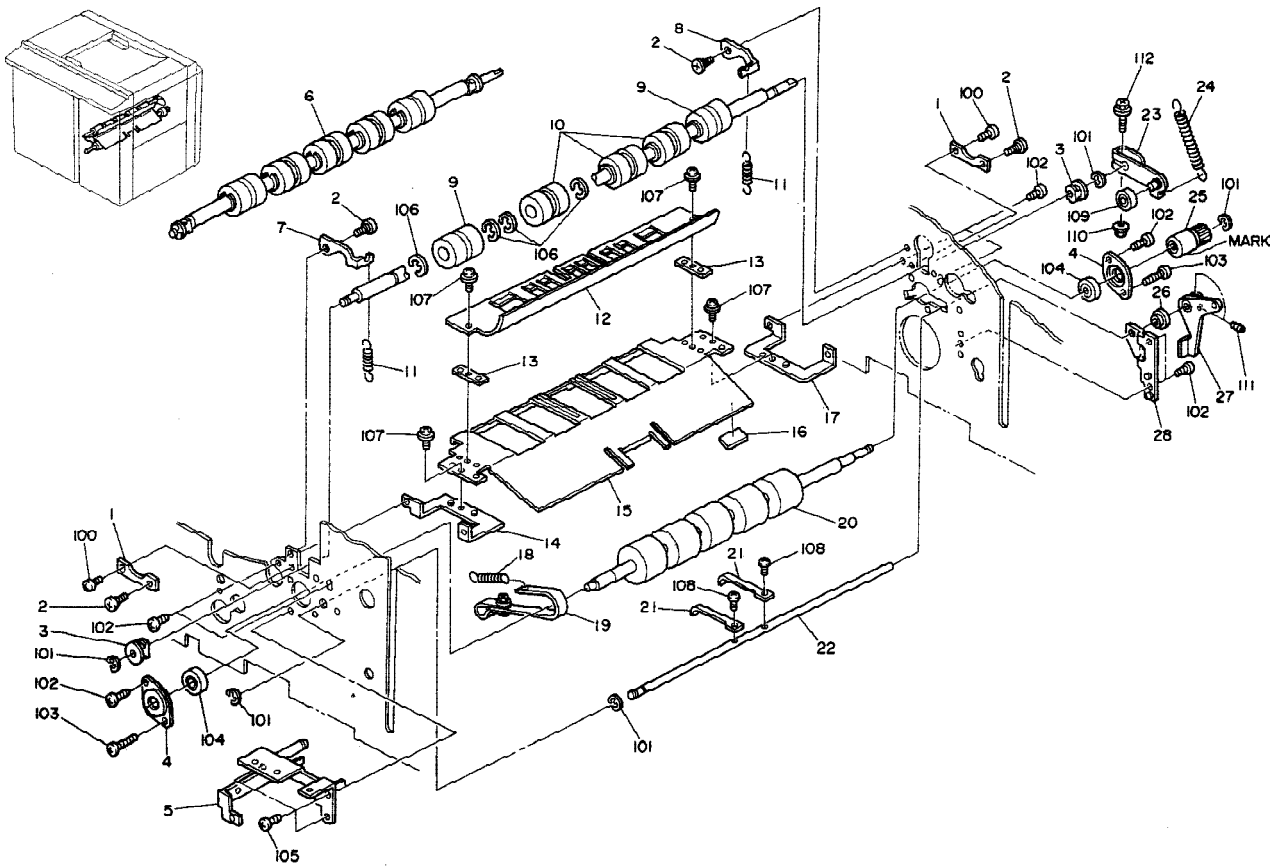
Index No.	Part No.	Description	Q'ty per Assembly
100	0713 0040B	Hexagon Nut - M4	
101	0807 7013	Spacer - 10.2 x 14 x 0.2 mm	
102	0720 0080Z	Retaining Ring - M8	
103	0960 4008Z	Flange Head Screw - 4 x 8	
104	0951 4008Z	Philips Screw With Flat Washer M4 x	
105	0804 4061	Spring Pin - M6	
106	0574 0040E	Hexagon Headless Set Screw - M4x4	
107	0951 3005Z	Philips Pan Head Screw - M3 x 5	
108	0801 1004	Screw - M4x4	
109	0313 0050Z	Philips Screw - 3x5	
110	0624 0160E	Spring Pin - 4x16mm	
111	0624 0220E	Spring Pin - 4x20mm	
112	0574 0050E	Hexagon Headless Set Screw - M4x5	
113	0314 0120Z	Philips Screw - 4x12	
114	1403 0539	Photointerruptor - EE-SX450-PI	
115	0314 0080Z	Philips Screw - 4x8	
116	0574 0060E	Hexagon Headless Set Screw - M4x6	



10. PAPER DELIVERY SECTION I (C210)

Index No.	Part No.	Description	Q'ty per Assembly
1	C201 5075	Guide Plate Bracket	2
2	C209 8219	Paper Return Motor	1
3	C203 5113	Bushing - 6x9x3mm	2
4	C209 5027	Gear - 20/40Z	1
5	C209 5030	Gear Shaft - Middle	1
6	C209 5031	Tension Spring	1
7	C209 5024	Paper Return Arm	2
8	C209 5026	Gear - 52Z	1
9	C209 5025	Paper Return Arm Shaft	1
10	C209 5029	Paper Return Bracket	1
11	C209 5010	Release Lever	1
12	C209 5016	Spring - Release Lever	1
13	C209 5009	Separation Release Solenoid	1
14	C209 5012	Release Lever Bracket	1
15	C207 5013	Pressure Spring - Paper Feed	1
16	C207 5009	Pressure Plate Holder	1
17	C207 5008	Pressure Plate	1
18	C207 5011	Adjusting Plate	1
19	C207 5010	Adjusting Screw	1
20	C207 5012	Pressure Spring	1
21	C209 5008	Adjusting Screw	1
22	C209 5020	Separation Plate	1
23	C210 5005	Paper Entrance Plate	1
24	C210 2791	Decal - Paper Separator	2

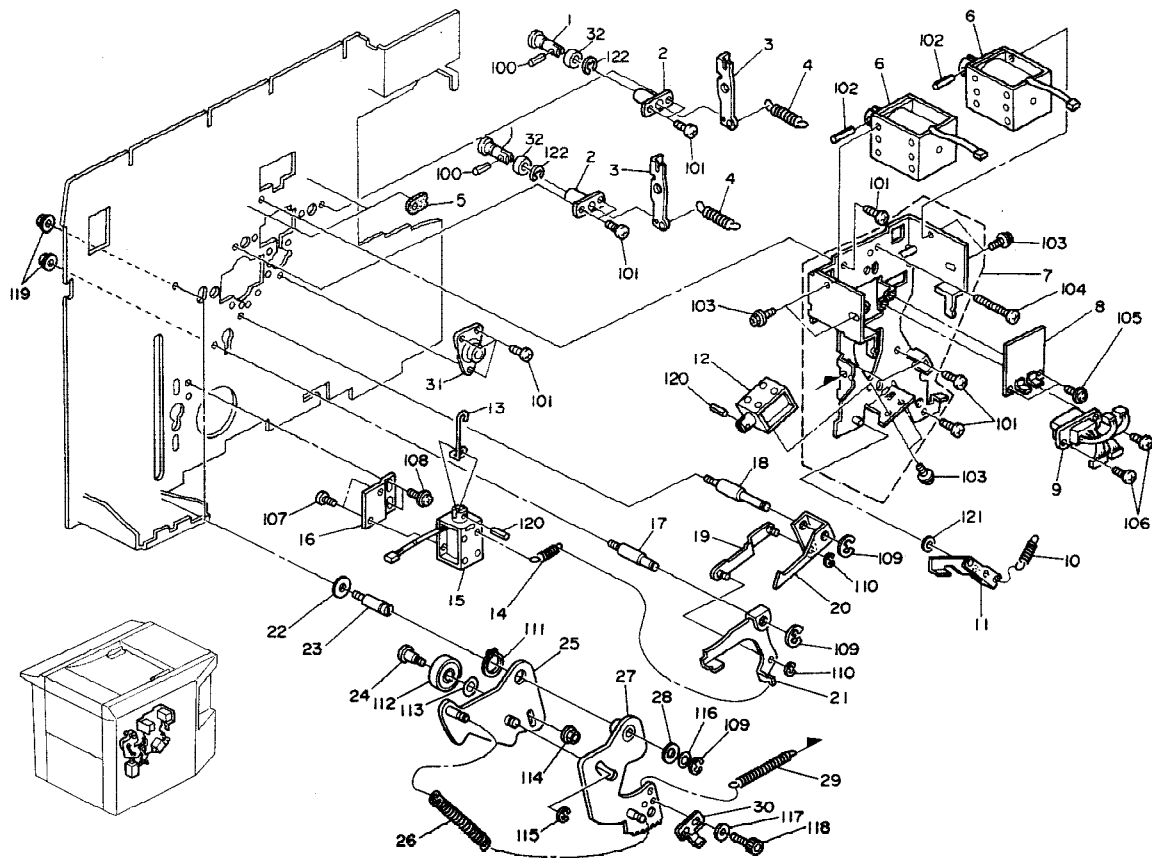
Index No.	Part No.	Description	Q'ty per Assembly
100	0434 0080Z	Tapping Screw - M4x8	
101	0951 3006Z	Philips Screw With Flat Washer - M3	
102	0313 0050Z	Philips Screw - 3x5	
103	0720 0050Z	Retaining Ring - M5	
104	0242 0025Z	Pan Head Screw - M2x2.5	
105	0632 0080G	Parallel Key - 2x8mm	
106	0720 0040Z	Retaining Ring - M4	
107	0621 6050E	Spring Pin 1.6x5mm	
108	0242 0040Z	Pan Head Screw - M2x4	
109	0801 1135	Philips Pan Head Screw - M3x3	
110	0952 4008W	Philips Screw - M4x8	



11. PAPER DELIVERY SECTION II (C210)

Index No.	Part No.	Description	Q'ty per Assembly
1	C200 5153	Bushing Supporter	2
2	C201 5125	Shoulder Screw - M4	4
3	C200 5150	Bushing - 7x18x9mm	2
4	C201 5134	Bearing Holder	2
5	C209 2034	Sensor Bracket	1
6	C207 5138	Upper Feed Roller Ass'y	1
7	C200 5154	Left Spring Arm	1
8	C200 5155	Right Spring Arm	1
9	C200 5340	Upper Feed Roller	2
10	C207 5148	Upper Feed Roller	3
11	5505 6528	Spring - Press Roller	2
12	C207 5123	Upper Guide Plate	1
13	C207 5125	Guide Plate Spacer	2
14	C200 5137	Left Bracket - Guide Plate	1
15	C209 5215	Lower Paper Guide Plate	1
16	C209 5216	Rubber Plate - Guide Plate	1
17	C200 5138	Right Bracket - Guide Plate	1
18	5501 8328	Spring - Feed Roller Brake	1
19	C203 5198	Feed Roller Brake Ass'y	1
20	C209 5203	Lower Feed Roller	1
21	C200 5504	Paper Detecting Pin	2
22	C200 5503	Paper Detecting Shaft	1
23	C201 5142	Lift Arm - Feed Roller	1
24	C201 5145	Lift Arm Spring	1
25	C209 5201	Gear - 14Z	1
26	5600 1080	Bush - Paper Feed Roller - Left	1
27	C209 5515	Paper Detecting Arm	1
28	C201 5505	Height Sensor Bracket	1

Index No.	Part No.	Description	Q'ty per Assembly
100	0801 1004	Screw - M4x4	
101	0720 0050Z	Retaining Ring - M5	
102	0314 0080Z	Philips Screw - 4x8	
103	0314 0200Z	Philips Screw - 4x20	
104	0740 3010	Ball Bearing - 10x26x8mm	
105	0434 0080Z	Tapping Screw - M4x8	
106	0805 0084	Retaining Ring	
107	0951 4006Z	Philips Screw With Flat Washer - M4	
108	0313 0050Z	Philips Screw - 3x5	
109	0740 3808	Bearing - 8x16x5mm	
110	0713 0040B	Hexagon Nut - M4	
111	0573 0050E	Hexagon Headless Set Screw - M3x5	
112	0804 6090	Hexagon Bolt - M4	



12. PAPER DELIVERY SECTION III (C210)

April 25, '91

Index No.	Part No.	Description	Qty per Assembly
1	C200 4553	Slide Shaft	2
2	C200 4551	Slide Guide	2
3	C207 4554	Solenoid Lever	2
4	C200 4561	Clamper Spring	2
5	C207 4555	Rubber Seal - 8x14x2	2
6	C209 8224	Drum Clamper Solenoid	2
7	C209 2080	Solenoid Bracket	1
8	C200 8116	Ink Detecting Board	1
9	C209 8119	Drum Relay Harness	1
10	5501 7559	Spring - Master Feed	1
11	C200 5565	Print Pressure Stopper	1
12	C209 8262	Release Solenoid	1
13	C200 5226	Link - Paper Feed Solenoid	1
14	C200 5235	Paper Feed Solenoid Spring	1
15	C209 8262	Release Solenoid	1
16	C200 5225	Bracket - Paper Feed Solenoid	1
17	C203 2073	Stopper Stud - Peper Feed	1
18	C203 2075	Feed Gear Stopper Shaft	1
19	C201 5101	Link	1
20	C200 5239	Feed Sector Stopper	1
21	C200 5238	Sector Stopper - Feed Roller	1
22	5501 5929	Spacer - 5.2 mm x 16 mm x 1	1
23	C200 5207	Sectorgear Stud	1
24	C203 5194	Shoulder Screw - M4	1
25	C200 5190	Paper Feed Sector Cam	1
26	C200 5205	Paper Feed Spring	1
27	C203 5175	Sector Gear	1
28	5600 1086	Spacer - 10.2 x 20	1
29	C200 5222	Sector Spring	1
30	C203 5180	Sector Gear Stoper	1
31	C209 4516	Slide Guide - Drive Shaft	1
32	C201 4561	Drum Clamper Roller	2

Index No.	Part No.	Description	Qty per Assembly
100	0622 0060E	Spring Pin - 2x6mm	
101	0434 0080Z	Tapping Screw - M4x8	
102	0623 0120E	Spring Pin - 3x12mm	
103	0804 6101	Hexagon Bolt - M3	
104	0314 0200Z	Philips Screw - 4x20	
105	0951 3006Z	Philips Screw With Flat Washer - M3	
106	0314 0100Z	Philips Screw - 4x10	
107	0313 0040Z	Philips Pan Head Screw - M3x4	
108	0951 4006Z	Philips Screw With Flat Washer - M4	
109	0720 0080Z	Retaining Ring - M8	
110	0720 0040Z	Retaining Ring - M4	
111	0725 0220Z	Retaining Ring - M22	
112	0740 3007	Ball Bearing - 7x19x6mm	
113	0807 5004	Washer	
114	0713 0040B	Hexagon Nut - M4	
115	0720 0060Z	Retaining Ring - M6	
116	0807 7018	Washer - M10	
117	0701 0040Z	Flat Washer - M4	
118	0594 0060E	Socket Screw - 4x6	
119	0713 0050B	Hexagon Nut - M5	
120	0623 0100E	Spring Pin - 3x10mm	
121	0700 0060G	Flat Washer - M6	
122	0720 0050Z	Retaining Ring - M5	

13. PAPER DELIVERY SECTION IV (C210)

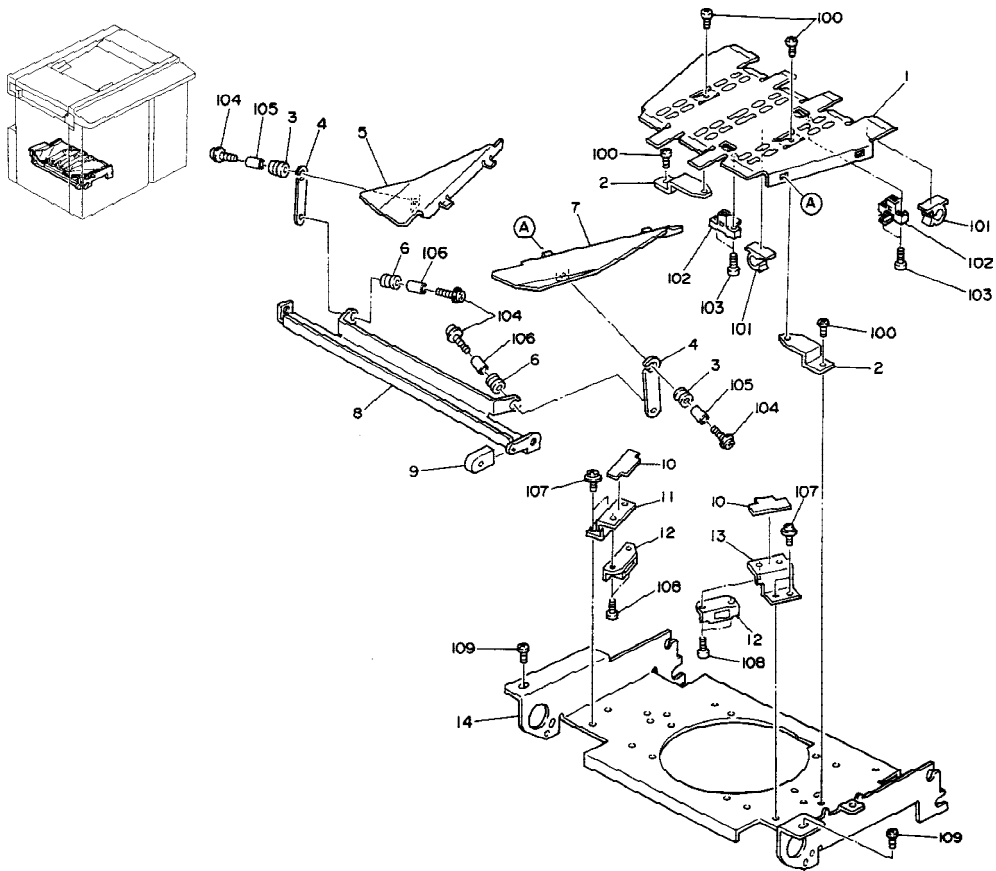
Index No.	Part No.	Description	Q'ty per Assembly
1	C209 5507	Sensor Actuator	1
2	C200 5526	Print Pressure Bushing	2
3	C209 5556	Collar - Press Roller	2
4	C209 5554	Press Roller	1
5	C209 5573	Pressure ON/OFF Lever	1
6	C200 5557	Rear Guide Plate	2
7	C209 5552	Left Arm - Press Roller	1
8	C209 5550	Press Roller Stay	1
9	C209 5553	Right Arm - Press Roller	1
10	C209 5570	Adjusting Plate - Exit Pawl	1
11	C203 6004	Pawl Cam	1
12	5607 2814	Roller Spring	1
13	C209 5505	Press Roller Shaft	1
14	C209 5526	Press Roller Spring	1
15	C200 5566	Pressure On/Off Lever	1
16	C200 5541	Print Pressure Arm	1
17	C209 5521	Joint Shaft	1
18	C209 5543	Press Roller Spring Link	1

Index No.	Part No.	Description	Q'ty per Assembly
100	0951 4008Z	Philips Screw With Flat Washer M4 x	
101	0720 0120Z	Retaining Ring - M12	
102	0314 0100Z	Philips Screw - 4x10	
103	1403 0539	Photointerruptor - EE-SX450-PI	
104	0720 0060Z	Retaining Ring - M6	
105	0740 3007	Ball Bearing - 7x19x6mm	
106	0573 0050E	Hexagon Headless Set Screw - M3x5	
107	0584 0121Z	Hexagon Bolt - M4x12	
108	0710 0040Z	Hex Nut 4	
109	0594 0060E	Socket Screw - 4x6	
110	0701 0040Z	Flat Washer - M4	
111	0433 0080Z	Tapping Screw - M3x8	
112	0313 0060Z	Philips Pan Head Screw - M3x6	
113	0584 0101Z	Hexagon Bolt - M4x10	
114	0595 0140E	Hexagon Bolt - M5x14	
115	0804 4060	Spring Pin - M4x22	
116	0740 3206	Ball Bearing	
117	0720 0040Z	Retaining Ring - M4	
118	0720 0030Z	Retaining Ring - M3	

14. DELIVERY TABLE I (C210)

Index No.	Part No.	Description	Q'ty per Assembly
1	C209 6019	Idler Roller - Transport Belt	1
2	C209 6009	Drive Roller - Transport Belt	1
3	C209 6016	Transport Belt	3
4	C209 6017	Vacuum Duct	1
5	C203 6065	Pulley Flange	1
6	C201 6080	Pulley - 16T	1
7	C209 6052	Drive Roller Arm	2
8	C209 6002	Vacuum Base Plate	1
9	C209 8204	Vacuum Fan Motor	1
10	C209 8107	Brower Motor Harness	1

Index No.	Part No.	Description	Q'ty per Assembly
100	0951 4008Z	Philips Screw With Flat Washer M4 x	
101	0720 0040Z	Retaining Ring - M4	
102	0741 3506	Ball Bearing - 6x12x4 mm	
103	0720 0080Z	Retaining Ring - M8	
104	0554 0040E	Allen Screw - M4x4	
105	0623 0160E	Spring Pin - 3x16mm	
106	0594 0120E	Hexagon Bolt - M4x12	
107	0805 3452	Ball Bearing - 10x22x6mm	
108	0951 4008Z	Philips Screw With Flat Washer M4 x	
109	1105 0016	Nylon Clip - 4N	
110	0960 4008Z	Flange Head Screw - 4 x 8	

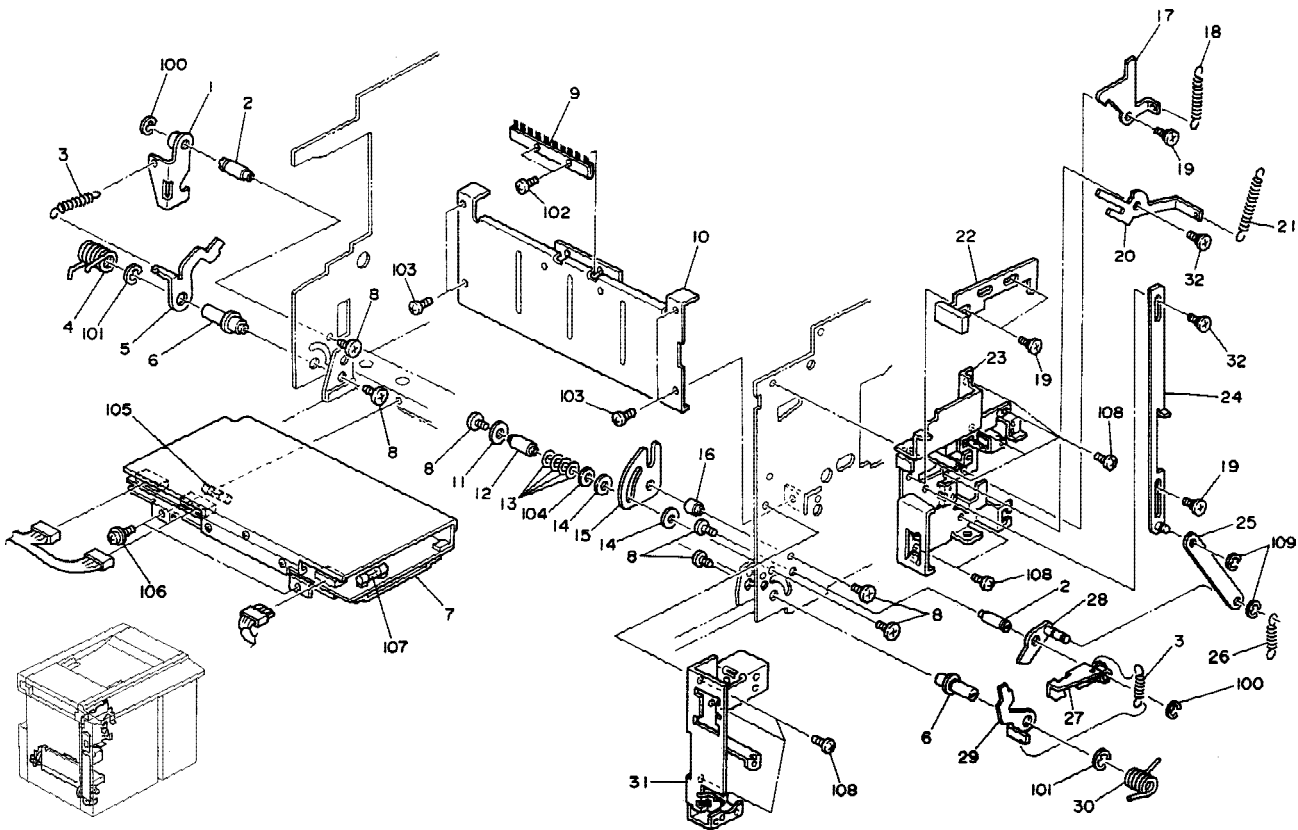


15. DELIVERY TABLE II (C210)

April 25, '91

Index No.	Part No.	Description	Q'ty per Assembly
1	C209 6005	Vacuum Plate	1
2	C209 6003	Vacuum Plate Bracket	2
3	C203 6047	Rubber Washer	2
4	C203 6046	Link - Wing	2
5	C209 6028	Transport Right Wing	1
6	C209 6050	Bushing - 4x8x6mm	2
7	C209 6025	Transport Left Wing	1
8	C209 6051	Transport Wing Knob	1
9	C209 4059	Lever Knob	1
10	C203 6035	Magnet Plate	2
11	C209 6037	Right Support Plate - Vacuum Plate	1
12	5054 0536	Magnet Catch Ass'y	2
13	C209 6038	Left Support Plate - Vacuum Plate	1
14	C209 6002	Vacuum Base Plate	1

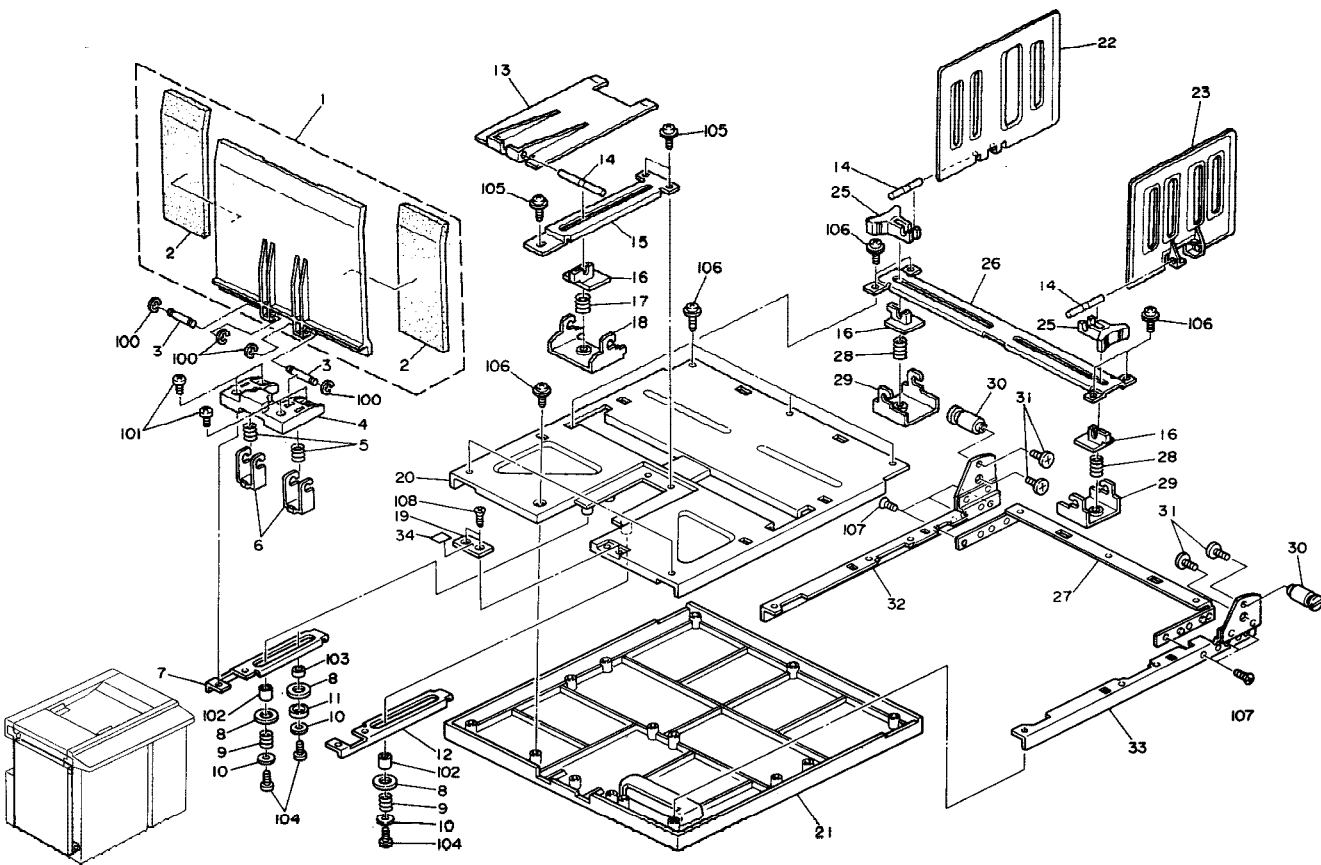
Index No.	Part No.	Description	Q'ty per Assembly
100	0434 0080Z	Tapping Screw - M4x8	
101	1105 0172	Clamp	
102	1403 0691	Photo Sensor	
103	0313 0100Z	Philips Pan Head Screw - M3x10	
104	0951 3012Z	Philips Screw W/H Flat Washer - M3x12	
105	0707 3050B	Bushing - 3x5mm	
106	0707 3080B	Bushing - 3x8mm	
107	0964 3006Z	Tapping Screw With Flat Washer - M3	
108	0313 0040Z	Philips Pan Head Screw - M3x4	
109	0314 0080Z	Philips Screw - 4x8	



16. PAPER EXIT SECTION I (C210)

Index No.	Part No.	Description	Q'ty per Assembly
1	C209 6110	Right Exit Cam	1
2	C209 6104	Exit Cam Shaft	2
3	C209 6114	Tension Spring	2
4	C209 6116	Right Adjusting Lever Spring	1
5	C209 6113	Right Adjusting Lever	1
6	C209 6117	Adjusting Lever Shaft	2
7	C210 8301	Power Supply Unit	1
8	5506 6197	Screw - Knife Cam - Leading Edge Cl	07
9	C200 6135	Antistatic Brush	1
10	C210 6081	Exit Side Plate	1
11	C209 6179	Spacer - 4x18x2	1
12	C209 6177	Stud - M4x11	1
13	C209 6180	Spring Washer - M8	4
14	C209 6178	Spacer 8x20x2	2
15	C209 6176	Delivery Table Angle	1
16	C209 6175	Stud - M4	1
17	C200 3953	Middle Lever	1
18	C200 3956	Middle Lever Spring	1
19	5403 2075	Stepped Screw	4
20	C200 3954	Lower Lever	1
21	C200 3957	Lower Lever Spring	1
22	C209 2160	Upper Lever	1
23	C209 2164	2ND Left Side Plate	1
24	C209 6188	Sensor Actuator - Delivery Table	1
25	C209 6196	Actuator Link - Delivery Table	1
26	5501 7559	Spring - Master Feed	1
27	C209 6107	Left Exit Cam	1
28	C209 6193	Lock Arm - Delivery Table Sensor	1
29	C209 6112	Left Adjusting Lever	1
30	C209 6115	Left Adjusting Lever Spring	1
31	C209 2109	Key Counter Bracket	1
32	5603 1045	Screw M5	2

Index No.	Part No.	Description	Q'ty per Assembly
100	0720 0060Z	Retaining Ring - M6	
101	0720 0100Z	Retaining Ring - M10	
102	0313 0040Z	Philips Pan Head Screw - M3x4	
103	0314 0080Z	Philips Screw - 4x8	
104	0701 0080Z	Flat Washer - M8	
105	1107 0392	Fuse - 6.3A	
106	0951 3008Z	Philips Screw With Flat Washer - M3	
107	1107 0629	Fuse - 15A 125V	
108	0434 0080Z	Tapping Screw - M4x8	
109	0720 0040Z	Retaining Ring - M4	



17. PAPER EXIT SECTION II (C210)

Index No.	Part No.	Description	Q'ty per Assembly
1	C209 6154	End Fence	1
2	C209 6156	Sponge Seal -4.5x65x175	2
3	C209 6157	End Fence Shaft	2
4	C209 6160	End Fence Base	1
5	C209 6159	End Fence Spring - Large	2
6	C209 6158	End Fence Bracket	2
7	C209 6162	Right Rail - End Fence	1
8	C209 6163	Spacer - 10x18x1	3
9	C209 6164	Rail Spring - End Fence	2
10	C209 6168	End Fence Washer	3
11	C209 6167	Spacer - 10x13x3.4	1
12	C209 6161	Left Rail - End Fence	1
13	C209 6152	Small End Fence	1
14	C209 6144	Guide Fence Shaft	3
15	C209 6151	End Fence Support Rail	1
16	C209 6142	Guide Fence Slider	3
17	C209 6150	End Fence Spring	1
18	C209 6153	Bracket - Support end Fence	1
19	C209 6136	Magnet Plate	1
20	C210 6262	Delivery Table	1
21	C209 6119	Delivery Table Cover	1
22	C209 6146	Front Guide Fence	1
23	C209 6147	Rear Guide Fence	1
25	C209 6143	Guide Fence Knob	2
26	C209 6141	Guide Fence Rail	1
27	C209 6122	Front Stay - Delivery Table	1
28	C209 6149	Guide Fence Spring	2
29	C209 6145	Guide Fence Bracket	2
30	C209 6126	Stud - M4	2
31	5442 1702	Small Screw - M3	4
32	C209 6128	Right Stay - Delivery Table	1
33	C209 6127	Left Stay - Delivery Table	1
34	C209 6137	Magnet Catch Cover	1

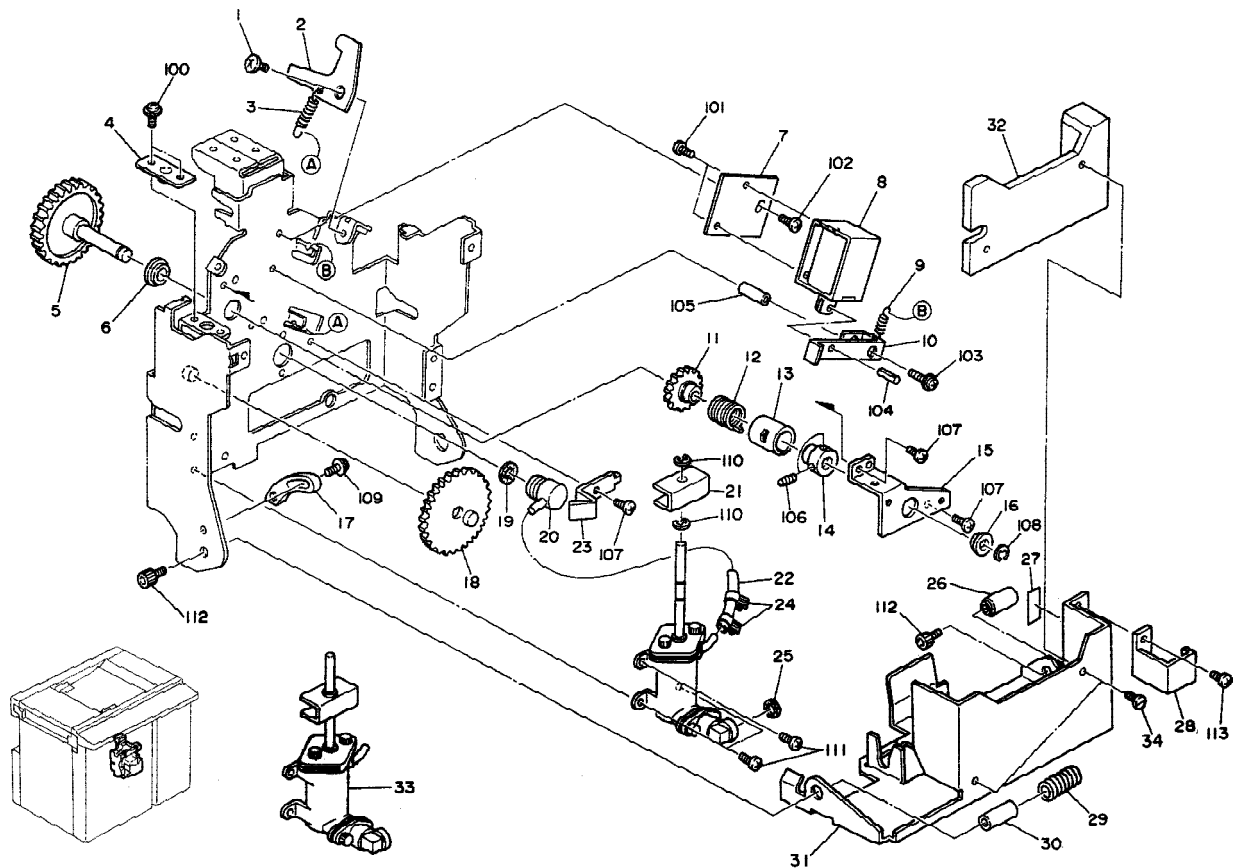
Index No.	Part No.	Description	Q'ty per Assembly
100	0720 0030Z	Retaining Ring - M3	
101	0343 0060W	Philips Pan Head Screw - M3x6	
102	0707 8105B	Bushing - M8x10.5	
103	0707 8055B	Bushing - M8x5.5	
104	0313 0060Z	Philips Pan Head Screw - M3x6	
105	0965 3010W	Tapping Screw With Flat Washer - M3x10	
106	0965 3012W	Tapping Screw With Flat Washer - M3	
107	0323 0060Z	Philips Sunk Screw - M3x6	
108	0802 5097	Tapping Screw - M3x10	

18. PAPER EXIT SECTION III (C210)

Index No.	Part No.	Description	Q'ty per Assembly
1	C209 6219	Air Hose	1
2	C209 4711	Hose Clamp	2
3	C209 6241	Front Cylinder Bracket	1
4	C209 6240	Air Pump Cylinder	1
5	C209 6242	Rear Cylinder Bracket	1
6	C209 6243	Cylinder Cover	1
7	C209 6215	Piston Valve	1
8	C209 6216	O-Ring - 39	1
10	C209 6213	Piston Pin - Air Pump	1
11	C209 6211	Piston Link - Air Pump	1
12	C209 6203	Air Piston Ass'y	1
13	C209 6207	Gear - 75Z	1
14	C209 6210	Air Pump Drive Shaft	1
15	C209 6064	Gear - 28Z	2
16	C209 6204	Gear - 18/48Z	1
17	C209 6206	Gear Shaft	1
18	C209 6231	Knob Screw - M4	1
19	C209 6230	Exit Pawl Holder	1
20	C209 6223	Exit Pawl Bracket	1
21	5053 0223	Bushing - 8mm	1
22	C209 6226	Exit Pawl	1
23	C209 6225	Hose Clamp	1
24	C209 6232	Exit Pawl Shaft	1
25	C200 6004	Exit Pawl Lever	1
26	C209 6067	Timing Belt - 220XL025G	1
27	C200 6059	Pulley - 25T	1
28	C209 6065	Drive Shaft - Vacuum Roller	1

April 25, '91

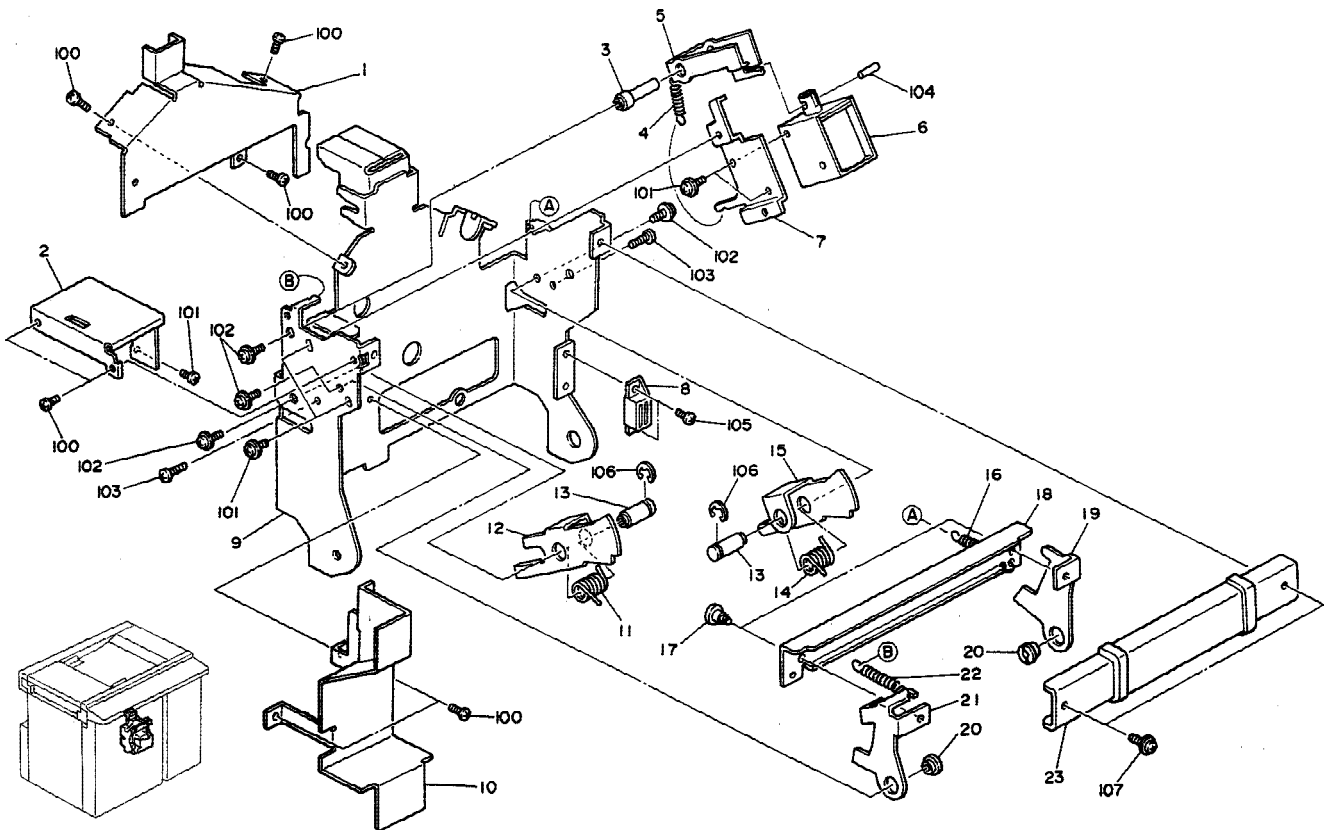
Index No.	Part No.	Description	Q'ty per Assembly
100	0314 0080Z	Philips Screw - 4x8	
101	0433 0062B	Tapping Screw - M3 x 6 mm	
102	0720 0030Z	Retaining Ring - M3	
103	0720 0040Z	Retaining Ring - M4	
104	0720 0060Z	Retaining Ring - M6	
105	0720 0080Z	Retaining Ring - M8	
106	0807 7013	Spacer - 10.2 x 14 x 0.2 mm	
107	0713 0050B	Hexagon Nut - M5	
108	0713 0080B	Flanged Hexagon Nut - M8	
109	0314 0050Z	Philips Pan Head Screw - M4x5	
110	0313 0060Z	Philips Pan Head Screw - M3x6	
111	0584 0121Z	Hexagon Bolt - M4x12	
112	0710 0040Z	Hex Nut 4	
113	0593 0060E	Bolt - M3x6	
114	0805 3452	Ball Bearing - 10x22x6mm	
115	0623 0160E	Spring Pin - 3x16mm	
116	0623 0180E	Spring Pin - 3x18mm	
117	0960 4008Z	Flange Head Screw - 4 x 8	



19. DRUM SECTION I (C210)

Index No.	Part No.	Description	Q'ty per Assembly
1	5413 1882	Stepped Screw	1
2	C209 4529	Drum Stopper	1
3	C200 4914	Drum Stopper Spring	1
4	C200 4814	Bushing - 6x10x55mm	1
5	C209 4852	Gear - 46Z	1
6	5507 6624	Bushing - 8x16x45mm	1
7	C200 4864	Bracket - Ink Supply Solenoid	1
8	C209 8227	Ink Supply Solenoid	1
9	5505 3598	Spring - Ratch - Control Section	1
10	C200 4862	Ink Stopper	1
11	C209 4674	Gear - 25Z	1
12	C201 4676	Clutch Spring	1
13	C200 4861	Pump Clutch Sleeve	1
14	C201 4067	Pump Clutch Collar	1
15	C209 4677	Clutch Bracket	1
16	5507 6624	Bushing - 8x16x45mm	1
17	C200 4926	Ink Holder Cam	1
18	C209 4867	Gear - 64Z	1
19	0808 0021	Rubber Ring	1
20	C200 4810	Ink Antechamber	1
21	C201 4679	Ink Pump Slider	1
22	C209 4815	Ink Tube - Small	1
23	C209 4816	Stopper Plate - Ink Antechamber	1
24	C209 4711	Hose Clamp	2
25	C200 4826	Pump Rubber	1
26	C209 4923	Right Shaft - Ink Holder	1
27	C209 4930	Seal - 0.1x5x17	1
28	C201 4639	Ink Holder Handle	1
29	C201 4682	Ink Cartridge Spring	1
30	C200 4924	Right Shaft - Ink Holder	1
31	C209 4641	Ink Holder	1
32	C526 4633	Spacer	1
33	C209 4670	Ink Pump	1
34	C522 2435	Screw - M3	1

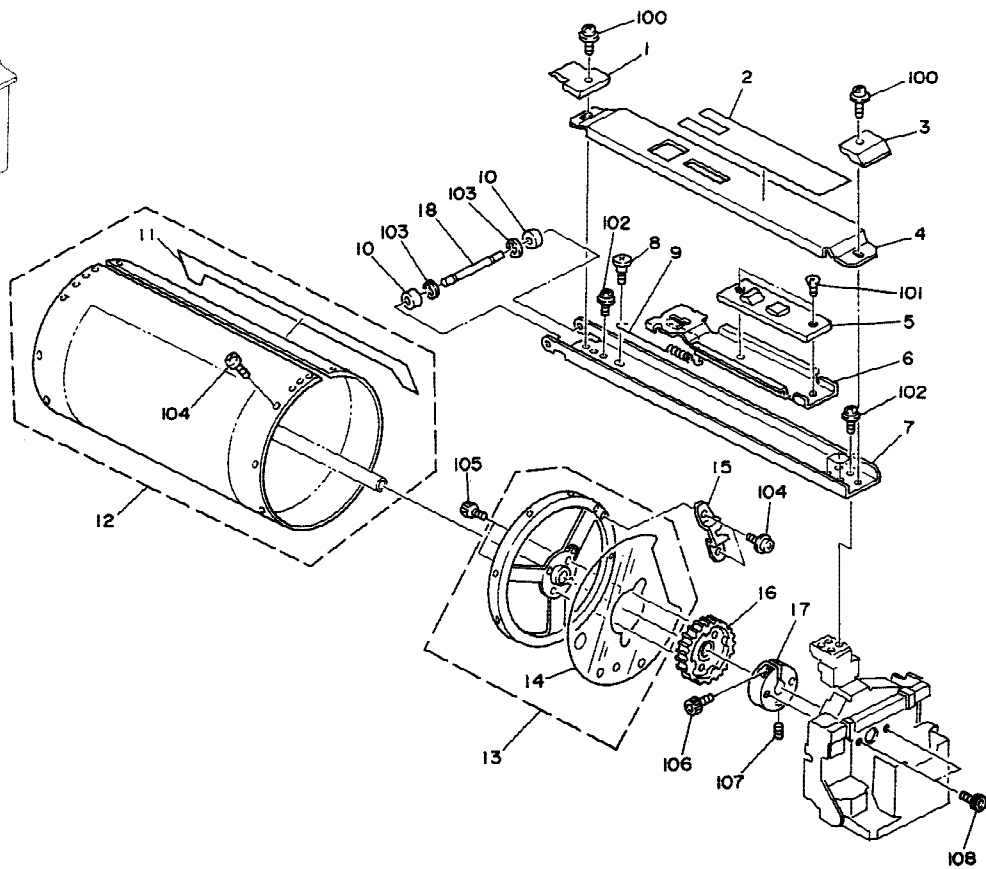
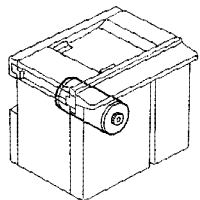
Index No.	Part No.	Description	Q'ty per Assembly
100	0951 4006Z	Philips Screw With Flat Washer - M4	
101	0313 0040Z	Philips Pan Head Screw - M3x4	
102	0960 4006Z	Philips Frang Screw - M4x6	
103	0951 4020Z	Philips Screw With Flat Washer - M4	
104	0623 0080E	Spring Pin - 3x8mm	
105	0707 4160B	Bushing - 4x16mm	
106	0574 0050E	Hexagon Headless Set Screw - M4x5	
107	0434 0060Z	Tapping Screw - M4x6	
108	0720 0060Z	Retaining Ring - M6	
109	0951 4010Z	Philips Screw With Flat Washer M4 x	
110	0720 0050Z	Retaining Ring - M5	
111	0434 0080Z	Tapping Screw - M4x8	
112	0595 0080Z	Bolt - M5x8	
113	0314 0060Z	Philips Pan Head Screw - M4x6	



20. DRUM SECTION II (C210)

Index No.	Part No.	Description	Q'ty per Assembly
1	C209 4616	Side Plate Cover - Drum	1
2	C209 4620	Upper Cover - Drum Side Plate	1
3	C209 4566	Drum Lock Shaft	1
4	C200 5118	Release Spring	1
5	C209 4567	Left Arm - Drum Lock	1
6	C209 8234	Drum Lock Solenoid	1
7	C209 4568	Solenoid Bracket - Drum Lock	1
8	5054 0536	Magnet Catch Ass'y	1
9	C209 4624	Front Side Plate	1
10	C209 4617	Lower Cover - Drum Side Plate	1
11	C209 4634	Drum Lock Spring - Left	1
12	C200 4631	Left Arm - Drum Lock	1
13	C200 4633	Drum Lock Shaft - Long	2
14	C200 4635	Drum Lock Spring - Right	1
15	C200 4632	Right Arm - Drum Lock	1
16	5600 1379	Spring	1
17	5400 3404	Stepped Screw	2
18	C209 4639	Release Lever - Drum Lock	1
19	C209 4637	Right Stopper - Drum Lock	1
20	C200 4638	Drum Lock Shaft - Small	2
21	C209 4638	Left Stopper - Drum Lock	1
22	C209 4642	Drum Lock Spring	1
23	C201 4636	Drum Unit Handle	1

Index No.	Part No.	Description	Q'ty per Assembly
100	0434 0060Z	Tapping Screw - M4x6	
101	0951 3005Z	Philips Pan Head Screw - M3 x 5	
102	0960 4006Z	Philips Frang Screw - M4x6	
103	0434 0100Z	Pan Head Self-tapping Screw - M4x10	
104	0623 0080E	Spring Pin - 3x8mm	
105	0314 0060Z	Philips Pan Head Screw - M4x6	
106	0720 0060Z	Retaining Ring - M6	
107	0960 4008Z	Flange Head Screw - 4 x 8	



21. DRUM SECTION III (C210)

Index No.	Part No.	Description	Q'ty per Assembly
1	C207 4612	Rear Roller Guide	1
2	C201 2543	Decal - Drum Caution	1
2	C204 2756	Decal - Drum Caution - 5 Language	1
3	C207 4611	Front Stopper Guide	1
4	C201 4613	Drum Rail Cover	1
5	C201 4609	Stopper Relasing Lever	1
6	C201 4606	Stopper Releasing Plate	1
7	C200 4625	Drum Rail	1
8	5506 6111	Step Screw - Stopper - Upper Guide	1
9	C201 4610	Drum Slider Spring	1
10	C201 4604	Drum Rail Roller	2
11	C209 4813	Metal Screen Mylar	1
12	C209 4801	Metal Screen	1
13	C209 4648	Front Drum Flange	1
14	C209 4678	Front Drum Flange Cover	1
15	C209 4681	Stopper Plate	1
16	C209 4673	Gear - 62Z	1
17	C200 4653	Drum Shaft Bracket	1
18	C200 4627	Drum Rail Shaft	1

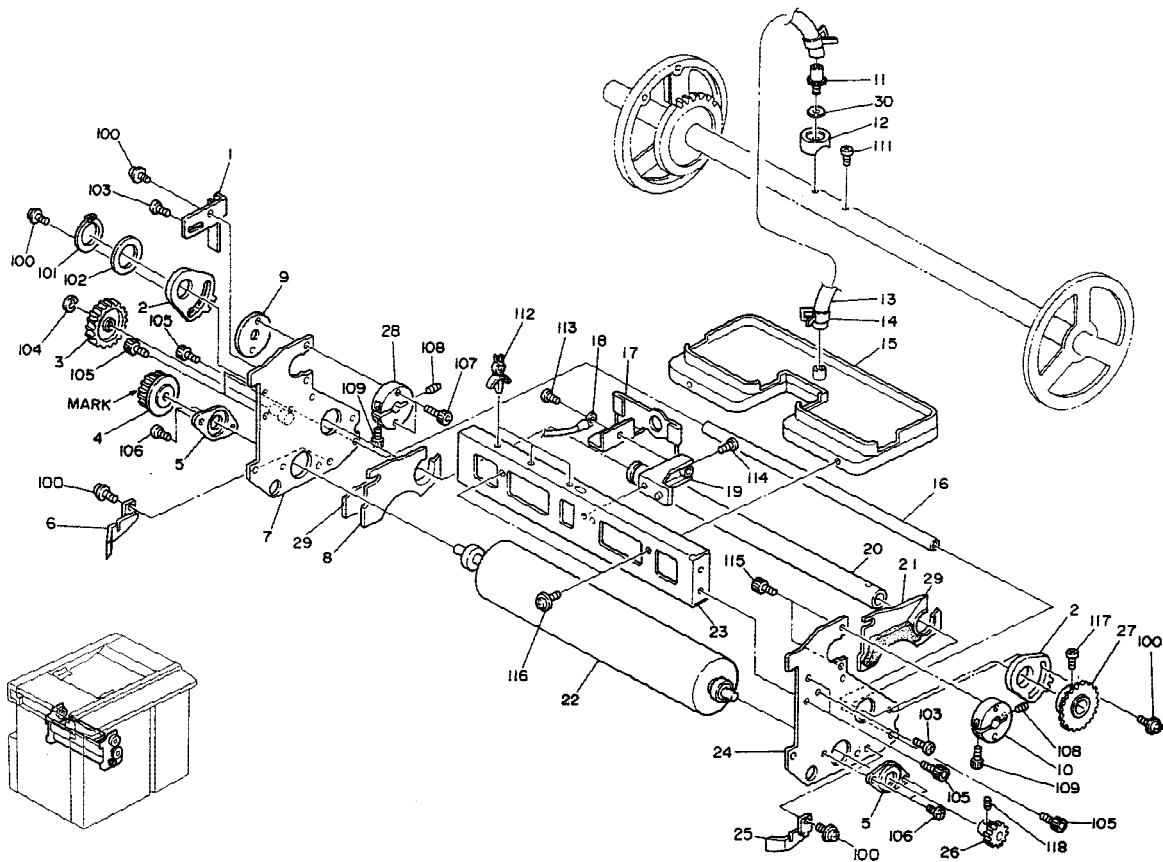
Index No.	Part No.	Description	Q'ty per Assembly
100	0951 4008Z	Philips Screw With Flat Washer M4 x	
101	0323 0050Z	Philips Sunken Head Screw - M3x5	
102	0960 4006Z	Philips Frang Screw - M4x6	
103	0720 0050Z	Retaining Ring - M5	
104	0951 4006Z	Philips Screw With Flat Washer - M4	
105	0595 0080E	Hexagon Bolt - M5x8	
106	0595 0140E	Hexagon Bolt - M5x14	
107	0575 0080E	Hexagon Headless Set Screw - M5x8	
108	0594 0080Z	Bolt - M4x8	

22. DRUM SECTION IV (C210)

April 25, '91

Index No.	Part No.	Description	Q'ty per Assembly
1	C209 8169	Short Harness	1
2	C526 8172	Relay Harness	1
3	C209 4613	Rear Side Plate - Drum	1
4	C209 8140	Grounding Wire - 65mm	1
5	C200 4653	Drum Shaft Bracket	1
6	5506 6069	Step Screw - Etching Middle Roller	1
7	C200 4946	Clamper Sector Shaft	1
8	C200 4944	Sector Gear - 9T	1
9	C209 4689	Interrupter Plate	1
10	C200 4945	Sector Gear Spring	1
11	5413 2274	Spring Anchor - Release Lever	1
12	C209 4688	Gear Support Plate	1
13	C209 4679	Rear Cover - Drum Flange	1
14	C209 4560	Rear Drum Frame	1
15	C209 4672	Gear - 50Z	1
16	C209 4531	Drum Shaft	1
17	C209 4945	Drum Clamper Base Ass'y	1
18	C209 4835	Tetron Screen	1
19	C209 4850	Screen Mylar	1
20	C209 4550	Black Seal - 40x50	1
21	C209 4947	Clamper Rubber	2
22	C209 4683	Screen Rear Plate	1
23	C209 4540	Screen Plate Spring	2
24	C209 4938	Clamper Magnet	1
25	C209 4941	Clamper Shaft	1
26	C200 4942	Pinion - 9T	1
27	C209 4682	Screen Front Plate	1

Index No.	Part No.	Description	Q'ty per Assembly
100	0314 0080Z	Philips Screw - 4x8	
101	1102 2098	Connector - 12P	
102	0594 0080Z	Bolt - M4x8	
103	0595 0140E	Hexagon Bolt - M5x14	
104	0575 0080E	Hexagon Headless Set Screw - M5x8	
105	0807 7114	Washer - 16x24x0.3mm	
106	0807 5044	Spacer - 8.1mm x 11.5mm x 0.2	
107	0807 4126	Flat Washer - 6.2x12x0.2mm	
108	0807 3103	Washer - 4x13x2.3mm	
109	0807 5076	Washer - 8x13x2.2mm	
110	0323 0080Z	Sunk Screw - 3x8	
111	0804 6092	Hexagonal Set Screw	
112	0952 4008W	Philips Screw - M4x8	
113	0951 4006Z	Philips Screw With Flat Washer - M4	
114	0951 4008Z	Philips Screw With Flat Washer M4 x	
115	0574 0050E	Hexagon Headless Set Screw - M4x5	
116	0804 6091	Hexagonal Set Screw - M2x5	

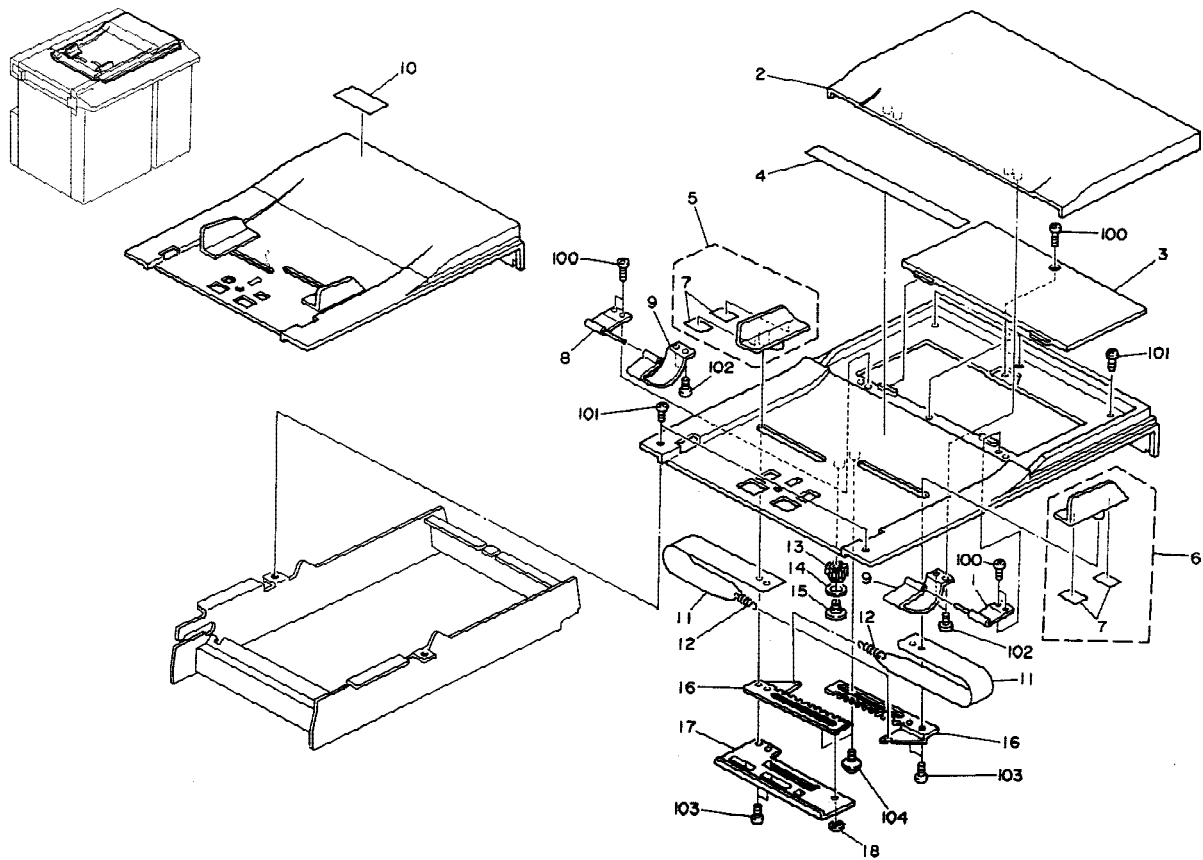


23. DRUM SECTION V (C210)

April 25, '91

Index No.	Part No.	Description	Q'ty per Assembly
1	C209 4749	Grounding Plate	1
2	C200 4723	Adjusting Plate - Doctor Roller	2
3	C207 4672	Gear - 36Z	1
4	C207 4670	Gear - 24Z	1
5	C201 4665	Bearing Holder	2
6	C207 4746	Rear Drum Blade	1
7	C209 4662	Rear Side Plate - Ink Roller	1
8	C207 4766	Rear Bank Plate	1
9	C209 4654	Spacer - 16x36x5.7	1
10	C200 4653	Drum Shaft Bracket	1
11	C209 4701	Ink Tube Nipple	1
12	C209 4704	Packing - Ink Tube	1
13	C209 4703	Ink Tube	1
14	C209 4711	Hose Clamp	2
15	C209 4705	Ink Distributor	1
16	C209 4715	Shaft Stay - Ink Roller	1
17	C203 4543	Ink Detector	1
18	C209 8137	Relay Harness - Ink Detection	1
19	C200 4733	Ink Detector Bracket	1
20	C209 4722	Doctor Roller	1
21	C207 4765	Front Bank Plate	1
22	C209 4666	Ink Roller	1
23	C209 4664	Ink Roller Stay	1
24	C209 4661	Front Side Plate - Ink Roller	1
25	C207 4745	Front Drum Blade	1
26	C200 3629	Gear - 20T	1
27	C200 4748	Gear - 45T	1
28	C209 4653	Drum Shaft Bracket	1
29	C200 4763	Sponge - Bank Plate	2
30	C209 4712	Spacer	1

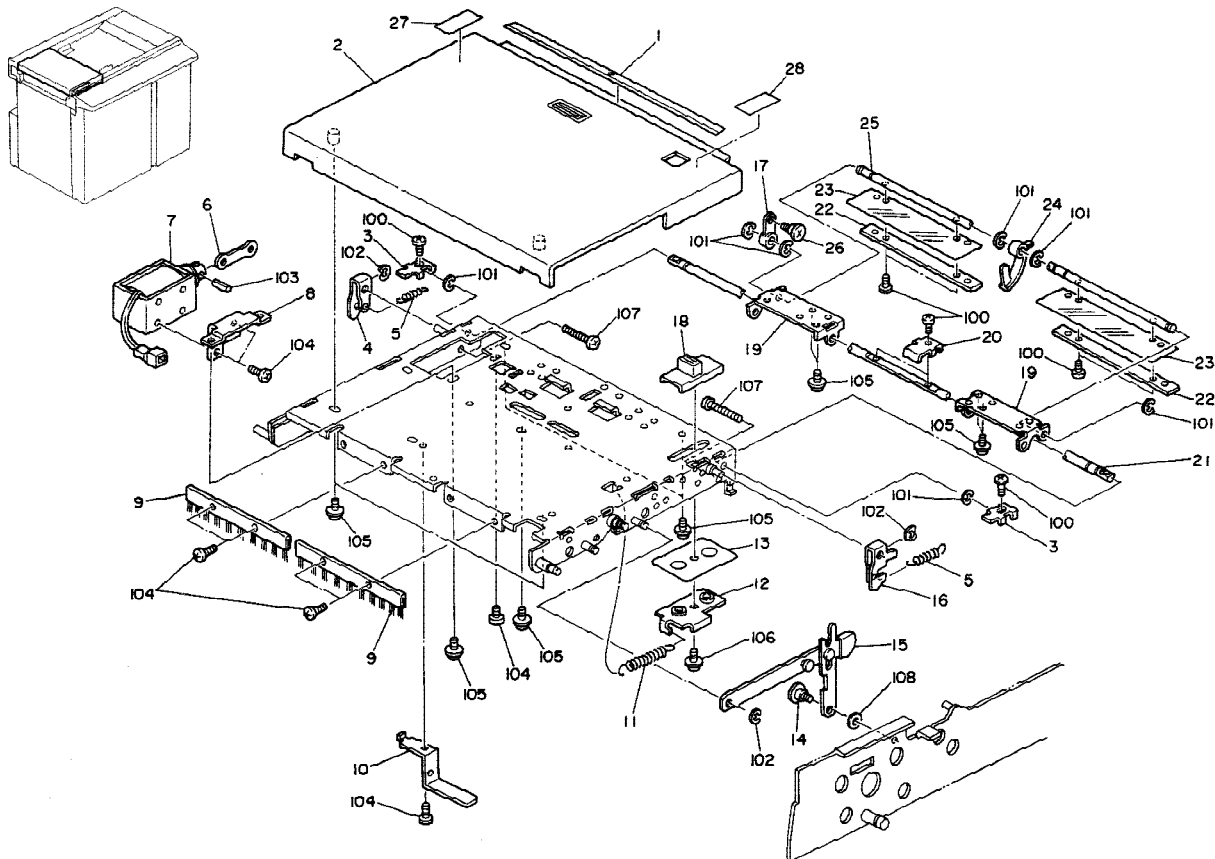
Index No.	Part No.	Description	Q'ty per Assembly
100	0951 4006Z	Philips Screw With Flat Washer - M4	
101	0725 0160E	Retaining Ring - M16	
102	0807 7114	Washer - 16x24x0.3mm	
103	0314 0080Z	Philips Screw - 4x8	
104	0720 0050Z	Retaining Ring - M5	
105	0594 0060E	Socket Screw - 4x6	
106	0313 0040Z	Philips Pan Head Screw - M3x4	
107	0594 0200E	Hexagon Bolt - M4x20	
108	0575 0080E	Hexagon Headless Set Screw - M5x8	
109	0595 0140E	Hexagon Bolt - M5x14	
110	0701 0060Z	Flat Washer - M6	
111	0314 0120Z	Philips Screw - 4x12	
112	1105 0209	Clamp	
113	0434 0082Z	Tapping Screw - M4x8	
114	0314 0060Z	Philips Pan Head Screw - M4x6	
115	0594 0080E	Bolt - M4x8	
116	0951 4008Z	Philips Screw With Flat Washer M4 x	
117	0313 0050Z	Philips Screw - 3x5	
118	0573 0040E	Hexagon Headless Set Screw - M3x4	



24. SCANNER SECTION I (C210)

Index No.	Part No.	Description	Q'ty per Assembly
*	C210 3194	Original Table Ass'y - LT	1
1	C209 3057	Left Hinge - Original Table Cover	1
2	C210 3229	Original Table Cover	1
3	C209 3036	Inner Cover - Original Table	1
4	C209 2504	Decal - Original Level	1
5	C209 3004	Right Original Guide	1
6	C209 3003	Left Original Guide	1
7	C209 3095	Right Mylar	4
8	C209 3022	Right Hinge - Original Table Cover	1
9	C209 3026	Upper Hinge - Original Table Cover	2
10	C210 2799	Decal - Original Table	1
11	C209 3093	Slider Seal	2
12	5070 0671	Spring - Stopper	2
13	C201 3011	Gear - 16T	1
14	5443 2713	Wave Washer	1
15	5403 2075	Stepped Screw	1
16	C209 3028	Side Fence Gear	2
17	C209 3058	Shielding Plate - Sensor	1
18	H006 1091	Front Fulcrum Pin	1

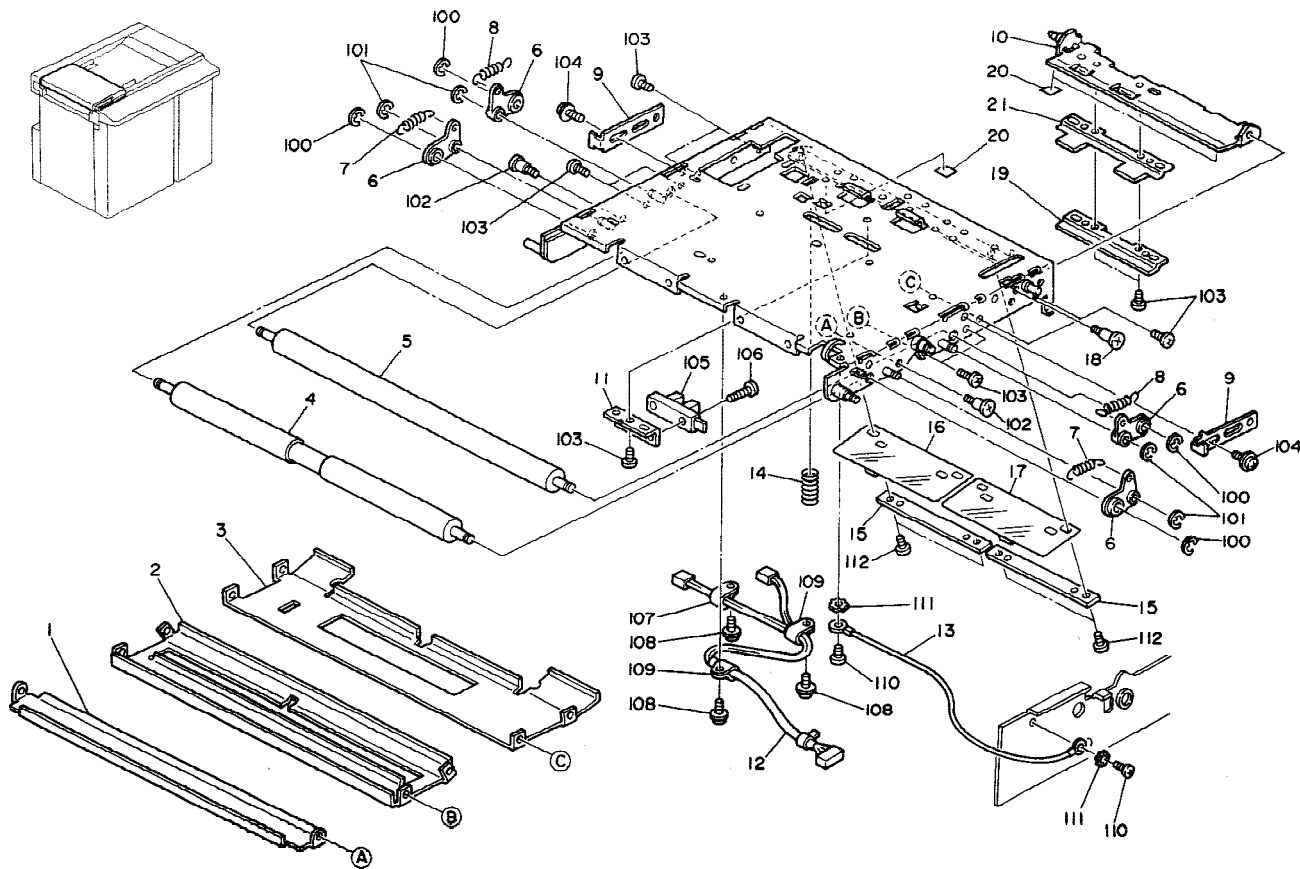
Index No.	Part No.	Description	Q'ty per Assembly
100	0433 0062Z	Hexagon Head Tapping Screen - M3x6	
101	0353 0060D	Sunk Screw - 3x6	
102	0313 0060Z	Philips Pan Head Screw - M3x6	
103	0965 3006B	Tapping Screw With Flat Washer M3x6	
104	0313 0050Z	Philips Screw - 3x5	



25. SCANNER SECTION II (C210)

Index No.	Part No.	Description	Q'ty per Assembly
1	C209 2511	Decal - ADF Cover	1
2	C210 3196	ADF Cover	1
3	C202 3057	ADF Pawl	2
4	C202 3062	Right Hook	1
5	C202 3059	Hook Spring	2
6	C202 3071	Solenoid Link	1
7	C202 8090	Original Pressure Solenoid	1
8	C202 3072	Solenoid Bracket	1
9	C200 6135	Antistatic Brush	2
10	C202 3092	Platen Plate Supporter	1
11	5606 2180	Sector Gear Spring	1
12	C209 3148	ADF Cam	1
13	C202 3147	Spacer - ADF Cam	1
14	C203 3027	Shoulder Screw - M4	1
15	C209 3141	Stopper - Scanner Unit	1
16	C202 3061	Left Hook	1
17	C202 3076	Pressure Arm	1
18	C209 3032	SADF Lever	1
19	C209 3072	Shaft Bracket	2
20	C209 3033	ADF Release Arm	2
21	C209 3073	Arm Shaft	1
22	C202 3121	Mylar Supporter	2
23	C202 3122	Pressure Mylar	2
24	C202 3075	Sensor Feeler	1
25	C209 3074	Pressure Shaft - Mylar	1
26	C200 3115	Shoulder Screw - Sensor Actuator	1
27	C203 2735	Decal - Open Carefully	1
28	C202 2430	Decal - ADF ON/OFF	1

Index No.	Part No.	Description	Q'ty per Assembly
100	0312 5050Z	Philips Pan Head Screw - M2.5x5	
101	0720 0040Z	Retaining Ring - M4	
102	0720 0030Z	Retaining Ring - M3	
103	0623 0120E	Spring Pin - 3x12mm	
104	0313 0050Z	Philips Screw - 3x5	
105	0951 3005Z	Philips Pan Head Screw - M3 x 5	
106	0960 3006Z	Philips Flange Screw - M3x6	
107	0313 0120Z	Philips Screw - 3x12	
108	0807 3044	Spacer 4.2 mm (T =1.5 mm)	



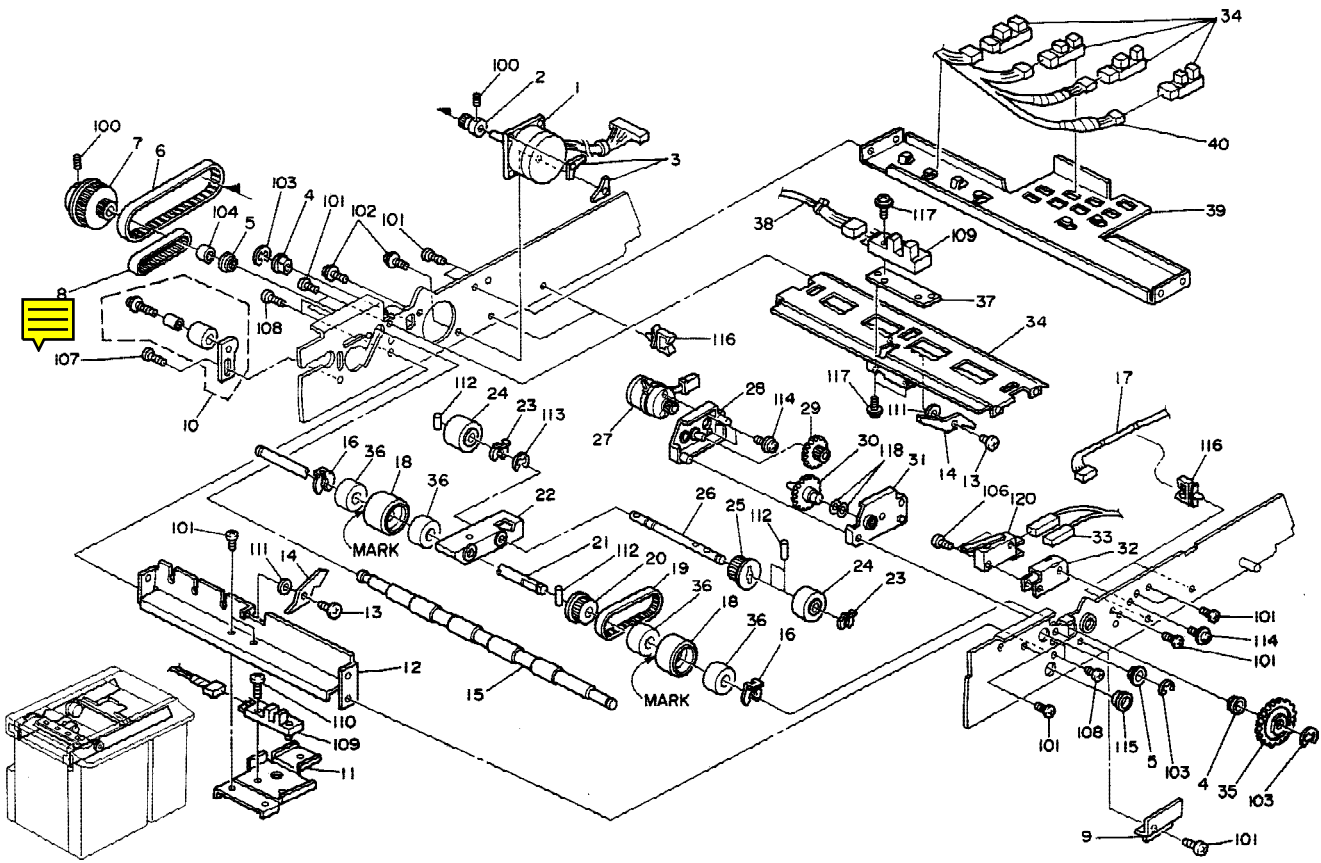
26. SCANNER SECTION III (C210)

April 25, '91

Index No.	Part No.	Description	Q'ty per Assembly
1	C201 3067	Platen Plate	1
2	C209 3066	Original Guide	1
3	C209 3109	Separation guide Plate	1
4	C209 3127	Transport roller	1
5	C209 3065	Original Pressure Roller	1
6	C200 3048	Pressure Arm	4
7	C202 3094	Press Roller Spring	2
8	C207 3094	Press Roller Spring	2
9	C207 3095	Adjusting Plate	2
10	C209 3085	Separation Bracket	1
11	C202 3067	Sensor Bracket	1
12	C202 8085	ADF Harness	1
13	C209 8291	Grounding Wire	1
14	C209 3064	Pressure Spring	1
15	C202 3121	Mylar Supporter	2
16	C209 3120	Right Mylar	1
17	C209 3121	Left Mylar	1
18	C202 3066	Shoulder Screw - M3	1
19	C202 3081	Blade Holder	1
20	C202 3098	Spacer - ADF	3
21	C202 3115	Separation Blade	1



Index No.	Part No.	Description	Q'ty per Assembly
100	0720 0050Z	Retaining Ring - M5	
101	0720 0030Z	Retaining Ring - M3	
102	0803 0043	Screw - M3x11	
103	0313 0050Z	Philips Screw - 3x5	
104	0951 3005Z	Philips Pan Head Screw - M3 x 5	
105	1403 0539	Photointerruptor - EE-SX450-PI	
106	0314 0100Z	Philips Screw - 4x10	
107	1105 0008	Nylon Clip - 2N	
108	0951 4008Z	Philips Screw With Flat Washer M4 x	
109	1105 0016	Nylon Clip - 4N	
110	0314 0080Z	Philips Screw - 4x8	
111	0705 0040B	Bushing - 4x5	
112	0312 5050Z	Philips Pan Head Screw - M2.5x5	

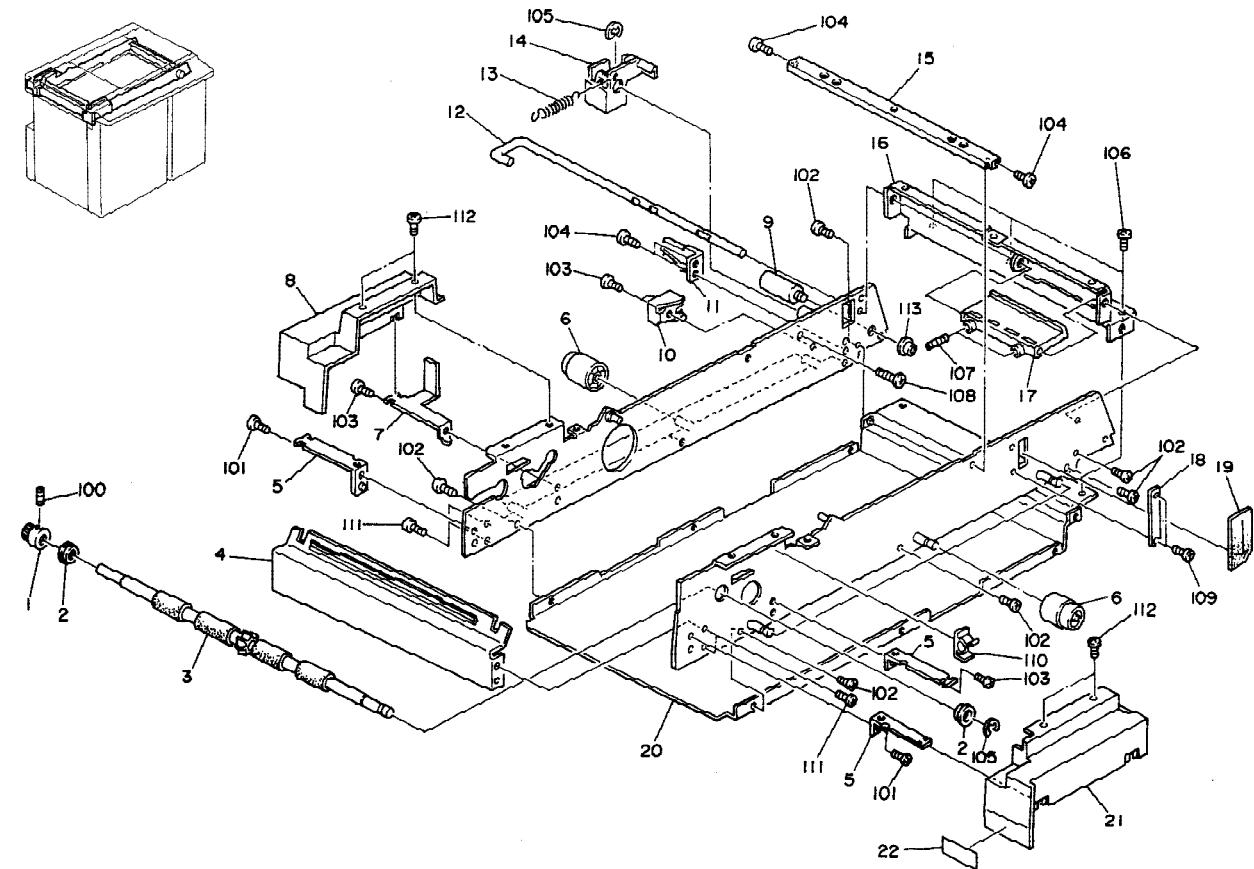


27. SCANNER SECTION IV (C210)

April 25, '91

Index No.	Part No.	Description	Q'ty per Assembly
1	C209 8215	Stepper Motor - Scanner	1
2	C203 3041	Pulley - 15T	1
3	C203 3043	Motor Plate	2
4	5053 0223	Bushing - 8mm	2
5	5507 6624	Bushing - 8x16x45mm	2
6	C203 3042	Timing Belt - 128MXL	1
7	C200 3031	Coupled Pulley - 20T & 48T	1
8	C200 3036	Timing Belt - 100XL	1
9	C203 3085	Gear Cover	1
10	C209 3111	Tension Roller	1
11	C202 3021	Sensor Stay	1
12	C203 3036	Sensor Stay	1
13	C200 3115	Shoulder Screw - Sensor Actuator	2
14	C200 3114	Sensor Actuator	2
15	C201 3068	First Original Feed Roller	1
16	C209 3133	retaining Ring - M6	2
17	C203 8106	Fluorescent Lamp Harness	1
18	C202 3014	Separation Roller	2
19	5894 2174	Timing Belt	1
20	5894 2186	Separation Roller Pulley	1
21	C209 3135	Separation Roller shaft	1
22	C209 3055	Pick-Up Roller Bracket	1
23	5447 2681	Snap Ring	2
24	5894 2171	Original Feed Roller	1
25	5918 2223	Pulley - 24T	1
26	C202 3017	Pick-up Roller Shaft	1
27	C202 3036	Motor - DC 1.69W	1
28	C202 3032	Gear Casing	1
29	C202 3035	Coupled Gear - 15T/60T	1
30	C202 3034	Coupled Gear - 16/60T	1
31	C202 3031	Gear Cover	1
32	C202 3026	Sensor Bracket	1
33	C203 8086	ADF Relay Harness	1
34	C203 3065	Guide Plate	1
35	C202 3019	Gear - 66T	1

Index No.	Part No.	Description	Q'ty per Assembly
36	C202 3013	Spacer - 8x16x7mm	4
37	C201 3074	Sensor Holder - Rear	1
38	C209 8131	Scanner Harness	1
39	C209 3060	Scanner Sensor Bracket	1
40	C209 8149	Original Size Sensor Harness	1
100	0554 0040E	Allen Screw - M4x4	
101	0313 0060Z	Philips Pan Head Screw - M3x6	
102	0951 4012Z	Philips Screw With Flat Washer M4 x	
103	0720 0060Z	Retaining Ring - M6	
104	0707 8070B	Bushing - M8x7	
105	320	Switch	
106	0173 0140Z	Philips Pan Head Screw - M3x14	
107	0801 1004	Screw - M4x4	
108	0434 0080Z	Tapping Screw - M4x8	
109	1403 0539	Photointerruptor - EE-SX450-PI	
110	0314 0100W	Philips Pan Head Screw - M4x10	
111	0701 0030Z	Flat Washer - M3	
112	0632 0100G	Pin - 2x10mm	
113	0720 0050Z	Retaining Ring - M5	
114	0951 3006Z	Philips Screw With Flat Washer - M3	
115	1106 0411	Bushing - 11.5mm	
116	1105 0106	Wire Saddle	
117	0951 3005Z	Philips Pan Head Screw - M3 x 5	
118	0807 5071	Spacer - 10x0.5mm	
119	1403 0690	Photointerruptor	

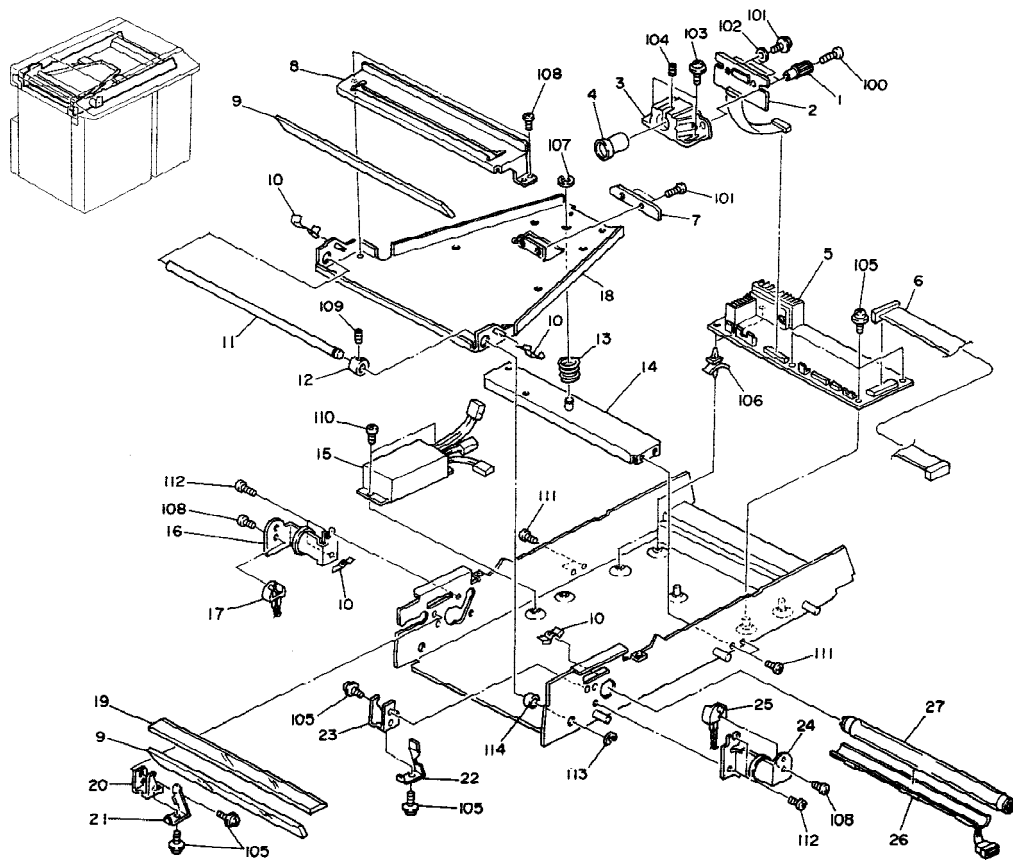


28. SCANNER SECTION V (C210)

Index No.	Part No.	Description	Q'ty per Assembly
1	C200 3032	Pulley - 20T	1
2	5507 6624	Bushing - 8x16x45mm	2
3	C202 3111	Feed Roller - Left	1
4	C209 3070	Stay - Original Exit Tray	1
5	C209 3068	Cover Bracket - Fluorescent Lamp	3
6	C209 3008	Rail Guide Roller	6
7	C209 3069	Cover Support Bracket	1
8	C209 3077	Left Cover - Fluorescent Lamp	1
9	C209 3046	Stud - M5	1
10	C200 3006	Stopper	1
11	C210 3151	Safety Switch Actuator	1
12	C209 3042	Scanner Lock Shaft	1
13	C200 3106	Lock Spring	1
14	C204 3038	Spring Arm	1
15	C209 3038	Scanner Support Stay	1
16	C209 3041	Scanner Grip Bracket	1
17	C209 3040	Scanner Grip	1
18	C209 3125	Support Plate - Flat Cable	1
19	C209 3126	Left Seal	1
20	C209 3011	Lower Cover - Scanner	1
21	C210 3223	Right Cover - Fluorescent Lamp	1
22	C203 2731	Decal - Master Eject Open	1

April 25, '91

Index No.	Part No.	Description	Q'ty per Assembly
100	0554 0040E	Allen Screw - M4x4	
101	0801 1004	Screw - M4x4	
102	0433 0080Z	Tapping Screw - M3x8	
103	0314 0080Z	Philips Screw - 4x8	
104	0313 0060Z	Philips Pan Head Screw - M3x6	
105	0720 0060Z	Retaining Ring - M6	
106	0433 0060Z	Tapping Screw - M3x6	
107	0553 0100E	Allen Screw - M3x10	
108	0313 0200Z	Philips Screw - 3x20	
109	0314 0060Z	Philips Pan Head Screw - M4x6	
110	1105 0172	Clamp	
111	0434 0080Z	Tapping Screw - M4x8	
112	0344 0080D	Philips Truss Head Screw - M4x8	
113	0713 0050B	Hexagon Nut - M5	

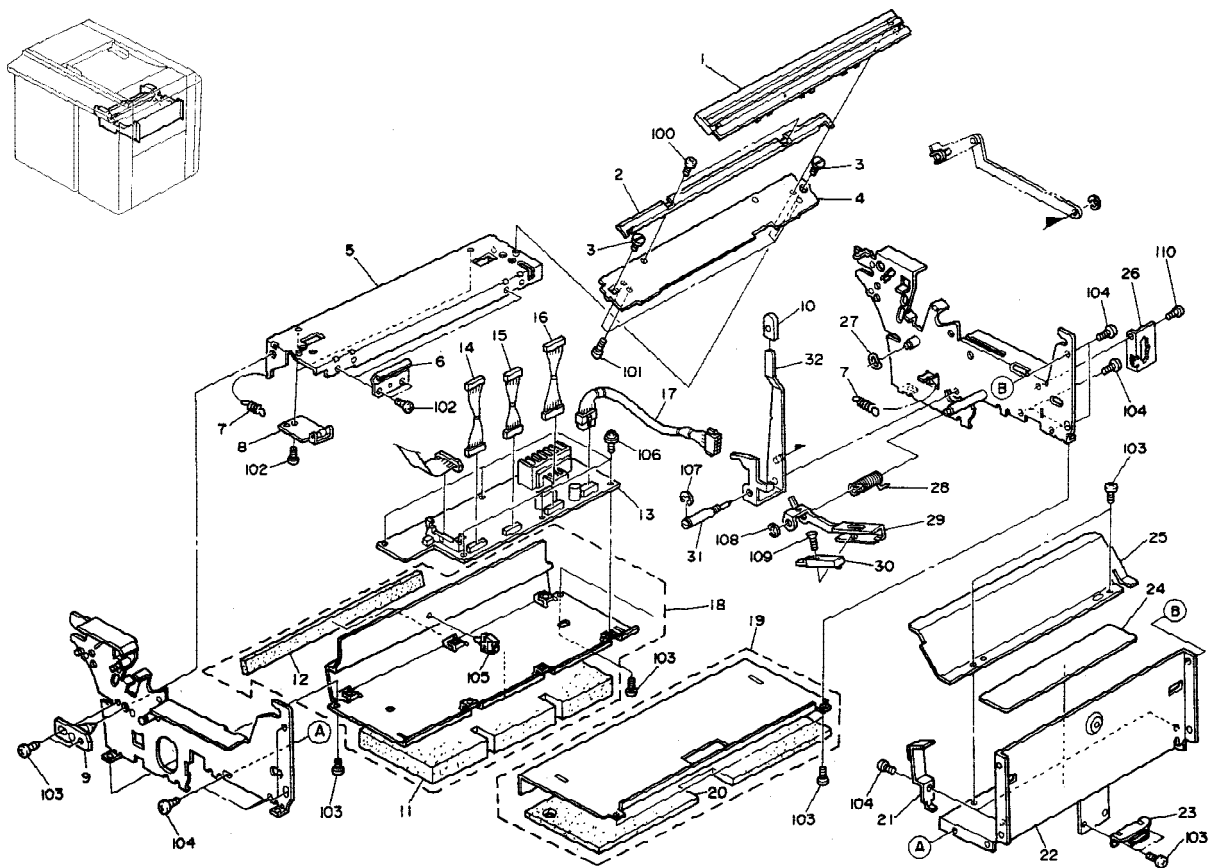


29. SCANNER SECTION VI (C210)

April 25, '91

Index No.	Part No.	Description	Q'ty per Assembly
1	5466 3147	Adjusting Knob	1
2	C203 8022	CCD Board	1
3	C209 3053	Lens Holder	1
4	C203 3054	Lens - F4/43	1
5	C209 8012	A/D Conversion Board	1
6	C209 3110	Flat Cable - Master Processing - 620mm	1
7	C203 3057	Shading Plate	1
8	C203 3052	Shielding Plate	1
9	C200 3086	Scanner Unit Mirror	2
10	C200 3072	Reaf Spring	4
11	C200 3082	Scanner Unit Shaft	1
12	C201 3077	Fixing Ring - 8x16x7mm	1
13	C201 3070	Scanner Frame Spring	1
14	C201 3075	Scanner Stay	1
15	C203 8104	Fluorescent Lamp Stabilizer	1
16	C203 3091	Right Bracket	1
17	C203 8102	Right Socket - Fluorescent Lamp	1
18	C209 3081	Optics Unit Base	1
19	C201 3069	Expousre Glass	1
20	C203 3061	Right Mirror Holder	1
21	C203 3059	Right Mirror Supporter	1
22	C203 3058	Left Mirror Suppoter	1
23	C203 3060	Left Mirror Holder	1
24	C210 3090	Fluorescent Lamp Left Bracket	1
25	C203 8103	Left Socket - Fluorescent Lamp	1
26	C203 8105	Fluorescent Lamp Heater	1
27	C203 8101	Fluorescent Lamp - 59V	1

Index No.	Part No.	Description	Q'ty per Assembly
100	0313 0140Z	Philips Pan Head Screw - M3x14	
101	0593 0060E	Bolt - M3x6	
102	0701 0040Z	Flat Washer - M4	
103	0951 4008W	Philips Screw With Flat Washer - M4x8	
104	0553 0100E	Allen Screw - M3x10	
105	0951 3006Z	Philips Screw With Flat Washer - M3	
106	1105 0160	Clamp	
107	0720 0040Z	Retaining Ring - M4	
108	0313 0060Z	Philips Pan Head Screw - M3x6	
109	0554 0040E	Allen Screw - M4x4	
110	0433 0060W	Tapping Screw - M3x6	
111	0434 0080Z	Tapping Screw - M4x8	
112	0314 0050Z	Philips Pan Head Screw - M4x5	
113	0720 0060Z	Retaining Ring - M6	
114	0707 8080B	Bushing - 8x8mm	

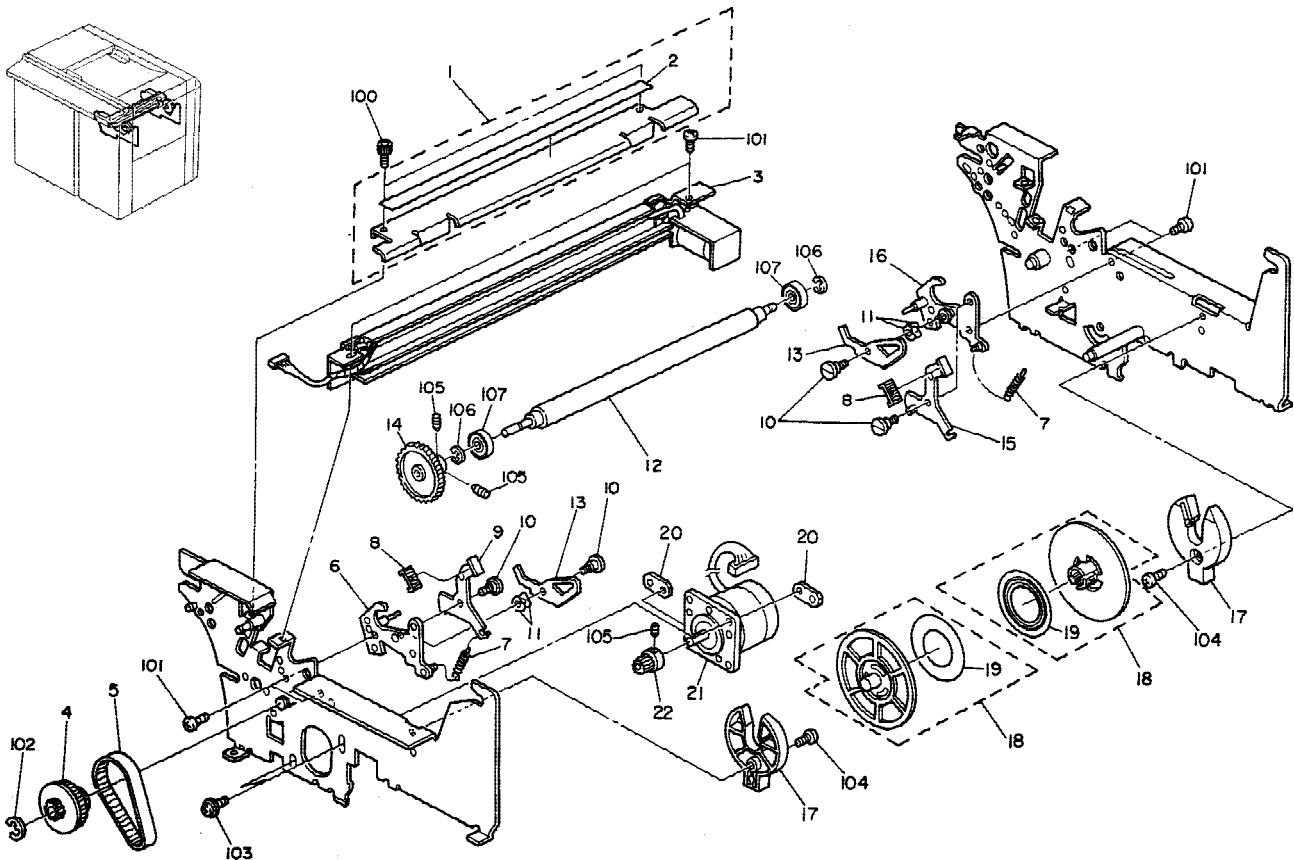


30. PLOTTER SECTION I (C210)

April 25, '91

Index No.	Part No.	Description	Q'ty per Assembly
1	C209 8037	Thermal Head - A3	1
2	C209 4037	Guide Plate - Thermal Head	1
3	C209 4180	Thermal Head Spacer	2
4	C209 4035	Thermal Head Spacer	1
5	C209 4030	Thermal Head Base	1
6	C209 4139	Spring Plate	2
7	C209 4033	Thermal Head Spring	2
8	C209 4136	Spring Roller	2
9	C209 4040	Left Adjusting Plate	1
10	C209 4059	Lever Knob	1
11	C209 2599	Lower Pad	1
12	C209 2585	Plotter Base Pad - Small	1
13	C209 8028	Thermal Head Drive Board	1
14	C209 8163	Harness - Head Signal 1	1
15	C209 8164	Harness - Head Signal 2	1
16	C209 8166	Harness - Head Power 1	1
17	C209 8146	Harness - Head Power 2	1
18	C209 4133	Plotter Base	1
19	C209 2586	Plotter Lower Cover	1
20	C209 2587	Pad - Plotter Lower Cover	1
21	C203 4013	Brake Plate	2
22	C209 4021	Master Roller Cacher	1
23	5054 0536	Magnet Catch Ass'y	1
24	C210 2795	Decal - Thermal Head Cleaning	1
25	C209 4055	Thermal Head Cover	1
26	C209 4126	Right Connector Bracket	1
27	C209 4173	Wave Washer - M5	2
28	C200 4116	Sensor Spring	1
29	C209 4027	Master End Sencor Bracket	1
30	5203 5230	Master Sensor	1
31	C209 4063	Lever Shaft	1
32	C209 4060	Platen Release Lever	1

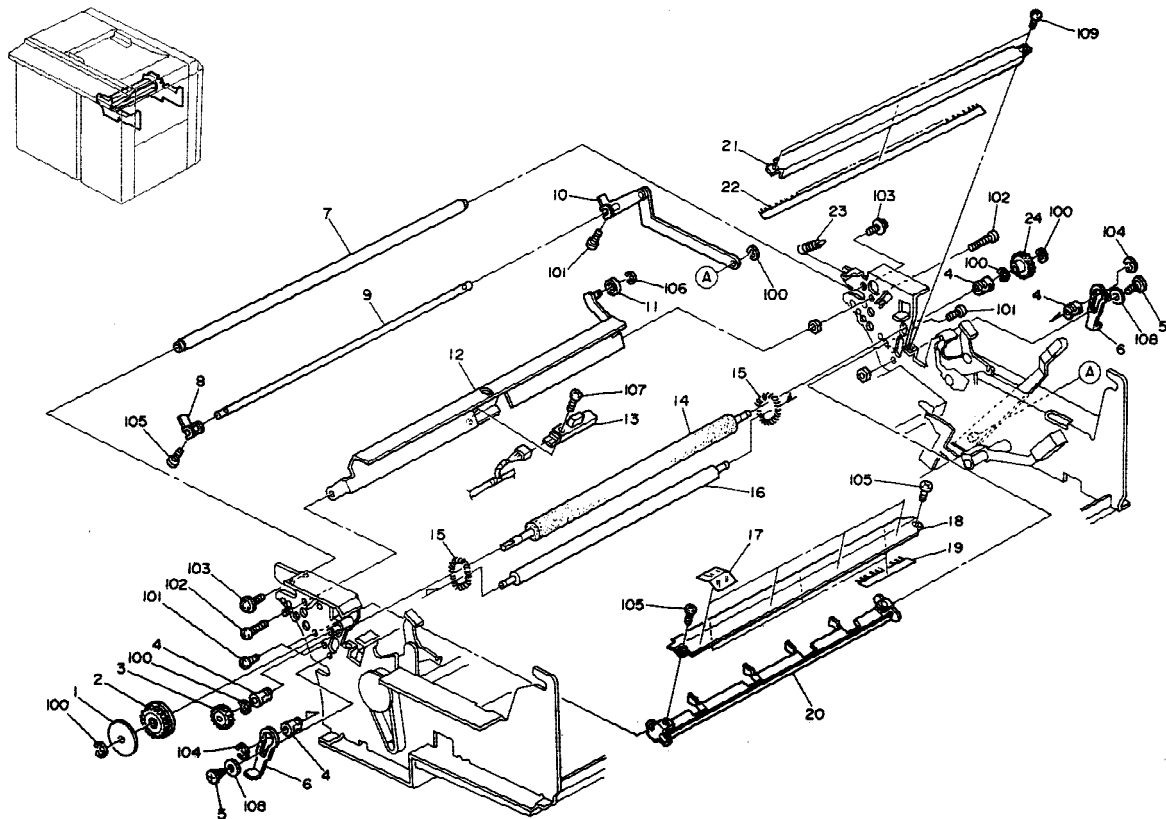
Index No.	Part No.	Description	Q'ty per Assembly
100	0313 0040Z	Philips Pan Head Screw - M3x4	
101	0313 0060Z	Philips Pan Head Screw - M3x6	
102	0313 0050Z	Philips Screw - 3x5	
103	0314 0060Z	Philips Pan Head Screw - M4x6	
104	0434 0080Z	Tapping Screw - M4x8	
105	1105 0108	Nylon Clip	
106	0951 3006Z	Philips Screw With Flat Washer - M3	
107	0720 0070Z	Retaining Ring - M7	
108	0720 0040Z	Retaining Ring - M4	
109	0323 0100Z	Philips Sunken Head Screw - M3x10	
110	0434 0060Z	Tapping Screw - M4x6	



31. PLOTTER SECTION II (C210)

Index No.	Part No.	Description	Q'ty per Assembly
1	C210 4232	Cutter Unit Cover - LT	1
1	C210 4234	Cutter Unit Cover - A4	1
2	C210 2794	Decal - Master Setting - LT	1
2	C210 2796	Decal - Master Set - A4	1
3	C209 4065	Cutter Unit	1
4	C209 4111	Gear - 16/54Z	1
5	C209 4112	Timing Belt - 100MXL - 9.5	1
6	C209 4160	Left Holder - Platen Roller	1
7	C209 4181	Spring	2
8	C209 4177	Stopper Knob - Platen Roller	2
9	C209 4167	Left Stopper - Platen Roller	1
10	C209 4180	Thermal Head Spacer	4
11	C209 4173	Wave Washer - M5	4
12	C209 4047	Platen Roller	1
13	C209 4172	Platen Roller Arm	2
14	C209 4049	Gear - 48Z	1
15	C209 4170	Right Stopper - Platen Roller	1
16	C209 4165	Right Holder - Platen Roller	1
17	C209 4025	Master Roller Holder	2
18	C210 4230	Master Flange	2
19	C210 2810	Decal - Master Flange	1
20	C203 3043	Motor Plate	2
21	C209 8216	Stepper Motor - Piloter	1
22	C209 4110	Gear - 17Z	1

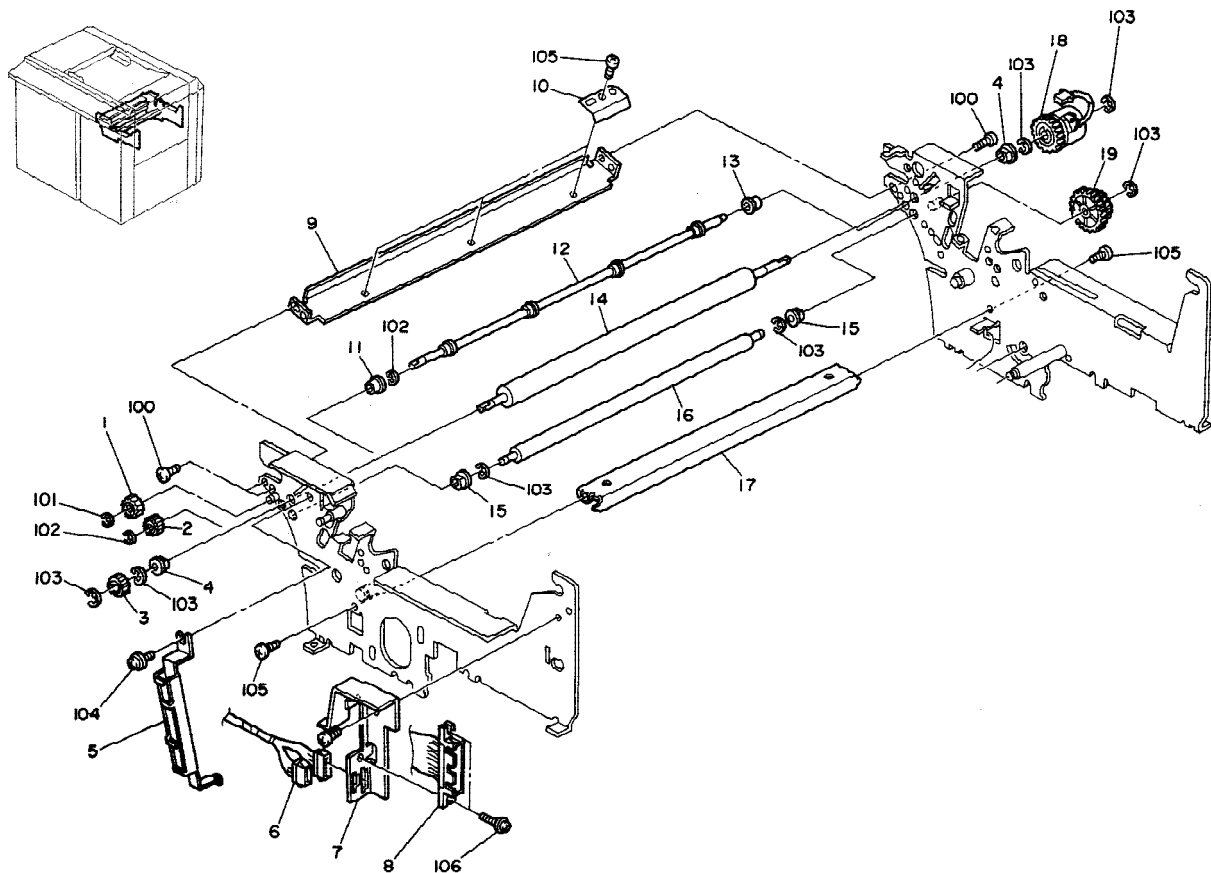
Index No.	Part No.	Description	Q'ty per Assembly
100	0594 0060E	Socket Screw - 4x6	
101	0314 0060Z	Philips Pan Head Screw - M4x6	
102	0720 0080Z	Retaining Ring - M8	
103	0951 4010Z	Philips Screw With Flat Washer M4 x	
104	0434 0080Z	Tapping Screw - M4x8	
105	0574 0040E	Hexagon Headless Set Screw - M4x4	
106	0720 0060Z	Retaining Ring - M6	
107	0740 3008	Ball Bearing	



32. PLOTTER SECTION III (C210)

Index No.	Part No.	Description	Q'ty per Assembly
1	C209 4116	Spacer - 6x36x0.3	1
2	C209 4115	Gear - 30Z	1
3	C209 4071	Gear - 25Z	1
4	5056 0188	Bushing - 6mm - Long	4
5	5403 2075	Stepped Screw	2
6	C203 4060	Tension Release Slider	2
7	C209 4018	Plotter Stay	1
8	C209 4075	Left Arm - Tension Release	1
9	C209 4082	Tension Release Shaft	1
10	C209 4076	Tension Release Arm	1
11	C209 4087	Guide Plate Roller	1
12	C209 4084	Upper Master Guide Plate	1
13	C203 8137	Master Sensor	1
14	C209 4070	Upper Master Feed Roller	1
15	C200 4184	Tension Spring	2
16	C209 4074	Lower Master Feed Roller	1
17	C203 4038	Master Guide - Large	4
18	C209 4089	Lower Master Guide Plate	1
19	C209 4321	Antistatic Brush	3
20	C209 4093	Reverse Guide	1
21	C209 4068	Master Guide Plate	1
22	C209 4320	Antistatic Brush	1
23	C209 4325	Spring	1
24	C209 4072	Gear - 24Z	1

Index No.	Part No.	Description	Q'ty per Assembly
100	0720 0040Z	Retaining Ring - M4	
101	0313 0060Z	Philips Pan Head Screw - M3x6	
102	0313 0100Z	Philips Pan Head Screw - M3x10	
103	0951 4006Z	Philips Screw With Flat Washer - M4	
104	0720 0050Z	Retaining Ring - M5	
105	0313 0050Z	Philips Screw - 3x5	
106	0720 0030Z	Retaining Ring - M3	
107	0313 0080Z	Philips Screw - 3x8	
108	0701 0060Z	Flat Washer - M6	
109	0312 5050Z	Philips Pan Head Screw - M2.5x5	



33. PLOTTER SECTION IV (C210)

April 25, '91

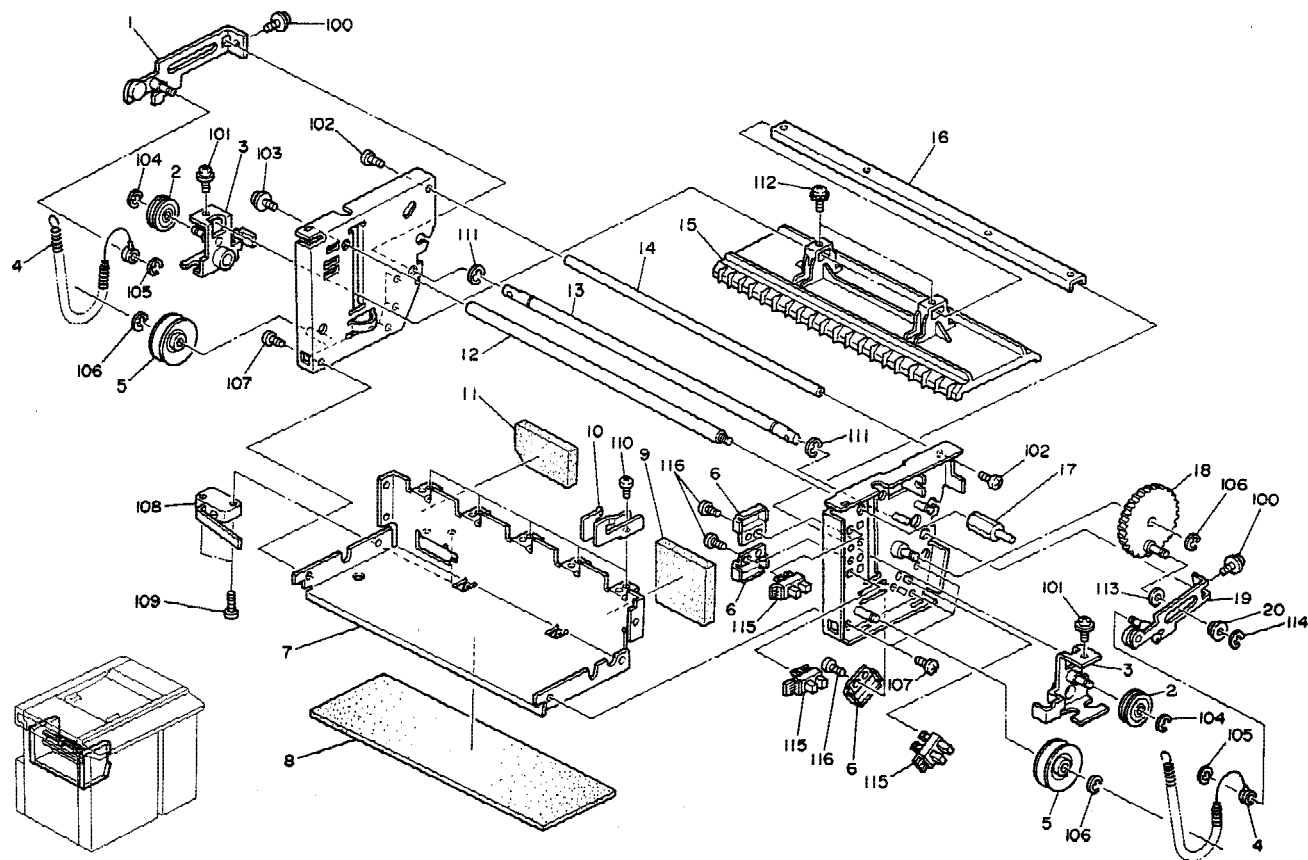
Index No.	Part No.	Description	Q'ty per Assembly
1	C200 2338	Gear - 20T	1
2	C209 4305	Gear - 16Z	1
3	C209 4303	Gear - 27Z	1
4	H012 1181	Bushing - M6	2
5	C209 4128	Harness Bracket	1
6	C209 8128	Thermal Head Harness	1
7	C209 4125	Left Connector Bracket	1
8	C209 8160	Flat Cable - Plug - 330mm	1
9	C209 4306	Master Guide	1
10	C209 4307	Reverse Guide Plate	3
11	5324 1658	Bushing - 4x8x4.5mm	1
12	C209 4300	Counter Roller	1
13	H002 2226	Bushing - Head Roller	1
14	C209 4100	Upper Reverse Roller	1
15	5053 0447	Bushing - 6mm	2
16	C209 4105	Lower Reverse Roller	1
17	C209 4019	Plotter Middle Stay	1
18	C209 8239	Reverse Roller - Magnetic Clutch	1
19	C209 4114	Gear - 20/27Z	1

Index No.	Part No.	Description	Q'ty per Assembly
100	0313 0060Z	Philips Pan Head Screw - M3x6	
101	0720 0020Z	Retaining Ring - M2	
102	0720 0025Z	Retaining Ring - M2.5	
103	0720 0040Z	Retaining Ring - M4	
104	0964 4008Z	Tapping Screw W/Washer - M4x8	
105	0313 0050Z	Philips Screw - 3x5	
106	0951 3008Z	Philips Screw With Flat Washer - M3	

34. MASTER EJECT SECTION I (C210)

Index No.	Part No.	Description	Q'ty per Assembly
1	C209 3545	Gear - 62Z	1
2	C200 3627	Gear - 30T	2
3	C200 3606	Coupled Gear - 62T & 20T	1
4	C207 3612	Timing Belt - B30S2M126	1
5	C207 3604	Pulley - 40Z	1
6	C200 3628	Gear - 20T	2
7	C209 8122	Master Eject Harness	1
8	C209 3516	Master Eject Stay	1
9	C209 3530	Sensor Cover - Master Eject	1
10	C209 3529	Sensor Bracket - Master Eject	1
11	C209 8116	Drum Master Detection Sensor	1
12	C209 8269	Master Eject Solenoid	1
13	C207 6125	Guide Plate Spring	1
14	C209 3661	Solenoid Plate	1
15	C200 3553	Solenoid Bracket	1
16	C200 3554	Solenoid Arm	1
17	5403 2075	Stepped Screw	1
18	C209 8260	Micro Motor - Master Eject	1
19	C201 3529	Lower Pulley Shaft	1
20	C207 3530	Upper Pulley Shaft	1
21	C200 3547	Pulley	10
22	C200 3529	Pulley Plate	2
23	5506 4608	Bushing - Paper Hold/Down Roller -	6
24	C209 3519	Support Bracket - Eject Roller	2
25	C201 3527	Pressure Spring	2
26	C209 3520	Separation Roller Bushing	2
27	C209 3522	1ST Upper Eject Roller	1
28	C200 3545	Upper Belt	5
29	C200 3546	Lower Belt	5
30	C209 3524	1ST Lower Eject Roller	1
31	C209 3550	Worm Gear - 16/50Z	1
32	C209 3551	Gear - 16/116Z	1
33	C209 3557	Bracket	1
34	C209 8282	Pressure Plate Motor	1
35	C209 3592	Worm Wheel	1

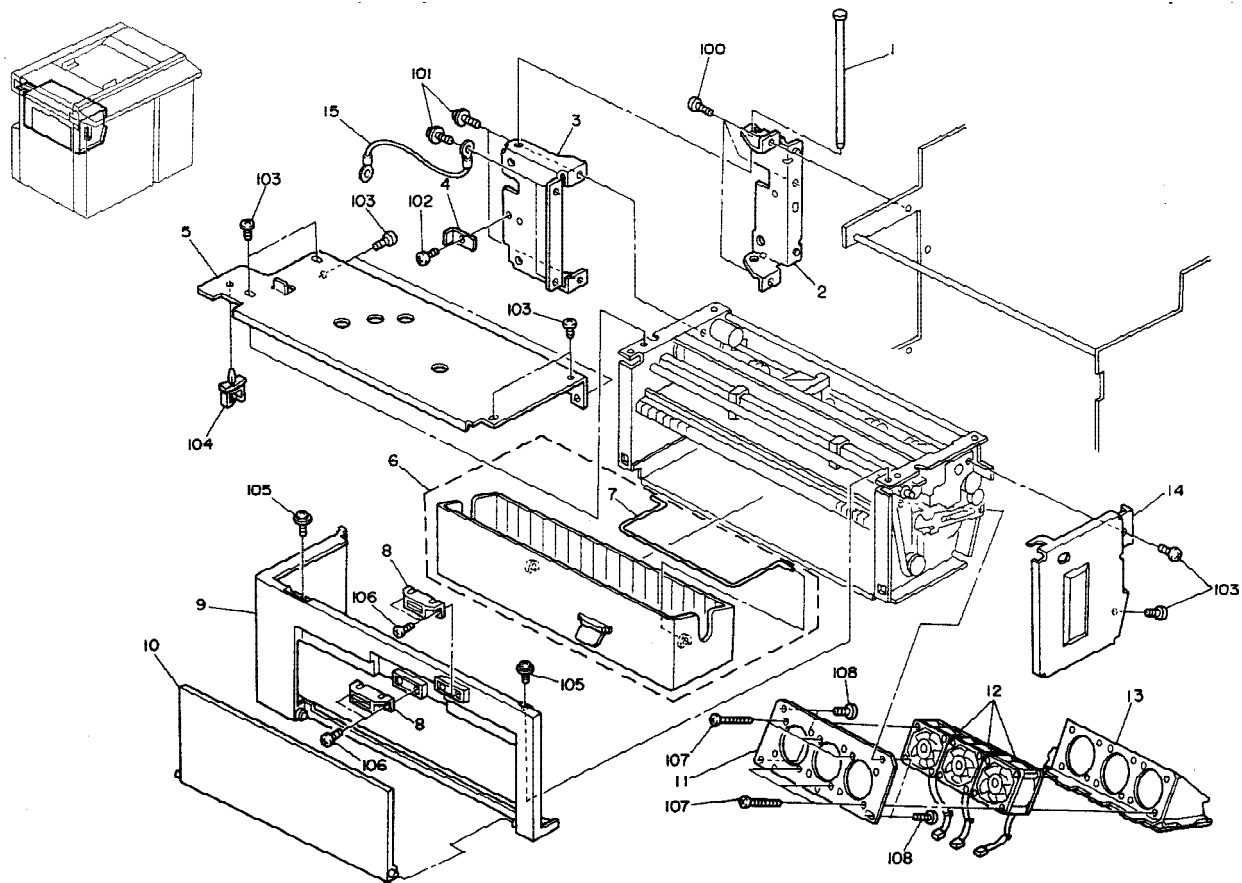
Index No.	Part No.	Description	Q'ty per Assembly
36	C209 3521	Arm Connecting Shaft	1
100	0720 0040Z	Retaining Ring - M4	
101	0313 0030Z	Philips Pan Head Screw - M3x3	
102	0434 0060Z	Tapping Screw - M4x6	
103	0720 0030Z	Retaining Ring - M3	
104	0314 0050Z	Philips Pan Head Screw - M4x5	
105	0951 3006Z	Philips Screw With Flat Washer - M3	
106	0313 0050Z	Philips Screw - 3x5	
107	0623 0120E	Spring Pin - 3x12mm	
108	0720 0050Z	Retaining Ring - M5	
109	0807 3041	Washer	
110	0964 4008Z	Tapping Screw W/Washer - M4x8	



35. MASTER EJECT SECTION II (C210)

Index No.	Part No.	Description	Qty per Assembly
1	C209 3543	Rear Pressure Arm	1
2	C209 3536	Pulley	2
3	C209 3533	Pressure Plate Arm	2
4	C209 3537	wire Spring	2
5	C200 3712	Pulley	2
6	C209 3507	Master Eject Sensor Cover	3
7	C210 3526	Master Eject Unit Frame	1
8	C209 2579	Lower Pad - Master Eject Box	1
9	C209 2581	Left Pad - Master Eject Box	1
10	C207 3531	Pulley Guide	5
11	C209 2580	Right Pad - Master Eject Box	1
12	C209 3642	Master Eject Stay - Large	1
13	C209 3539	Pressure Arm Shaft	1
14	C200 3508	Master Eject Stay - Small	1
15	C209 3531	Pressure Plate	1
16	C209 3532	Pressure Plate Shaft	1
17	C209 3643	Lock Stay	1
18	C209 3554	Gear - 60Z	1
19	C209 3540	Front Pressure Arm	1
20	C209 3615	Spacer - 6x12x3	1

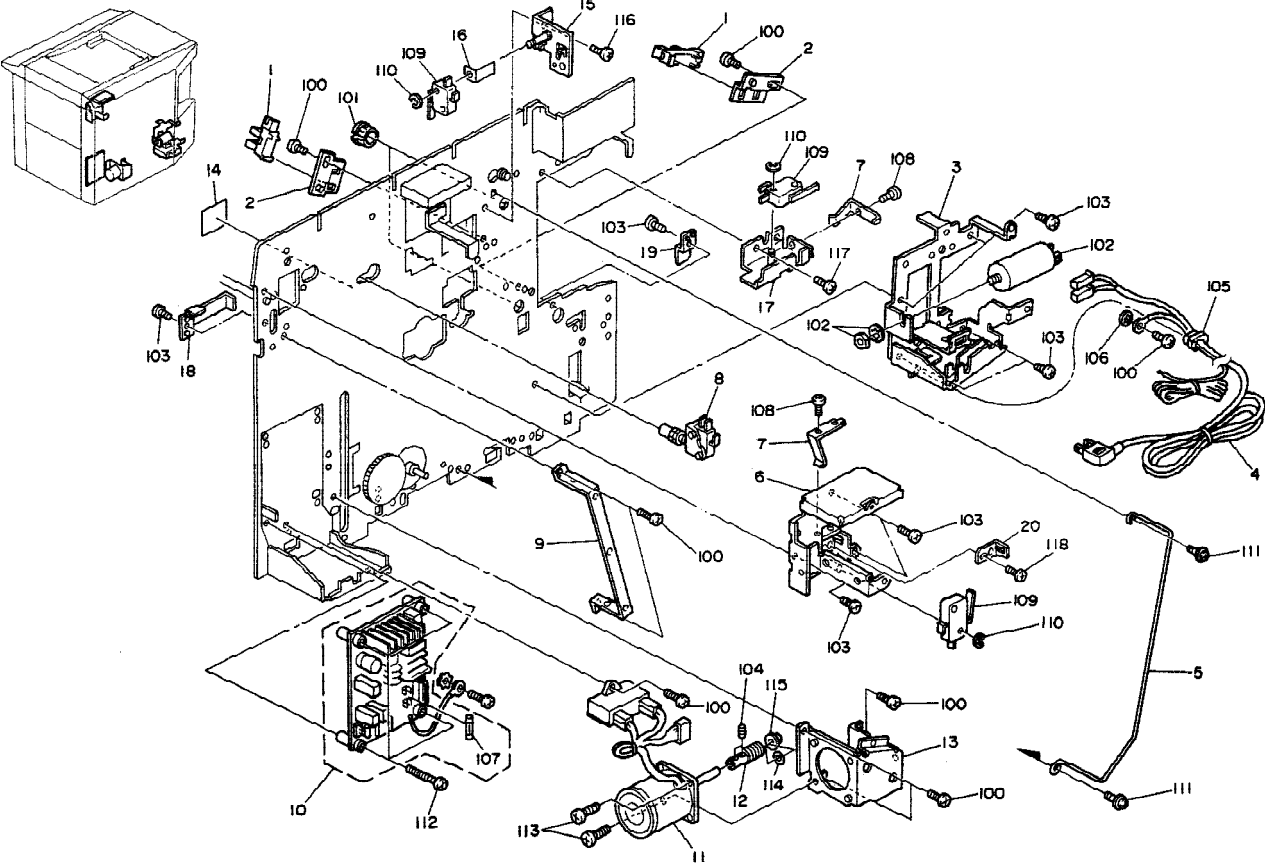
Index No.	Part No.	Description	Qty per Assembly
100	0960 4010Z	Philips Flange Screw - M4x10	
101	0960 4005Z	Philips Flange Screw - M4x5	
102	0314 0080Z	Philips Screw - 4x8	
103	0951 5008Z	Philips Screw With Flat Washer - M5x8	
104	0720 0040Z	Retaining Ring - M4	
105	0720 0030Z	Retaining Ring - M3	
106	0720 0060Z	Retaining Ring - M6	
107	0434 0060Z	Tapping Screw - M4x6	
108	1204 1490	Micro Switch - V-53-1A3	
109	0313 0140Z	Philips Pan Head Screw - M3x14	
110	0314 0060Z	Philips Pan Head Screw - M4x6	
111	0720 0080Z	Retaining Ring - M8	
112	0801 0118	Screw - Washer - M4x8	
113	0807 4118	Flat Washer	
114	0720 0050Z	Retaining Ring - M5	
115	1403 0690	Sensor - TLP1215	
116	0433 0060Z	Tapping Screw - M3x6	



36. MASTER EJECT SECTION III (C210)

Index No.	Part No.	Description	Q'ty per Assembly
1	C203 3504	Hinge Shaft	1
2	C209 3671	Master Eject Hinge	1
3	C209 3680	Master Eject Hinge - Small	1
4	C209 3675	Cover Bracket	1
5	C210 3710	Upper Inner Cover	1
6	C209 3558	Master Eject Box	1
7	C203 3511	Arm - Master Eject Box	1
8	5054 0536	Magnet Catch Ass'y	2
9	C209 2460	Master Eject Cover	1
10	C209 2455	Door - Master Eject	1
11	C209 3574	Blower Fan Bracket	1
12	C209 8208	Air Knife Motor	3
13	C209 3571	Blower Duct	1
14	C209 3673	Inner Cover - Master Eject	1
15	C203 8204	Grounding Wier	1

Index No.	Part No.	Description	Q'ty per Assembly
100	0434 0080Z	Tapping Screw - M4x8	
101	0964 4010Z	Tapping Screw W/Washer - M4x10	
102	0314 0080Z	Philips Screw - 4x8	
103	0434 0060Z	Tapping Screw - M4x6	
104	1105 0108	Nylon Clip	
105	0965 3008W	Tapping Screw With Flat Washer - M3x8	
106	0434 0062W	Pan Head Tapping Screw - M4x6	
107	0313 0350Z	Pan Head Screw - M3x35	
108	0314 0060Z	Philips Pan Head Screw - M4x6	

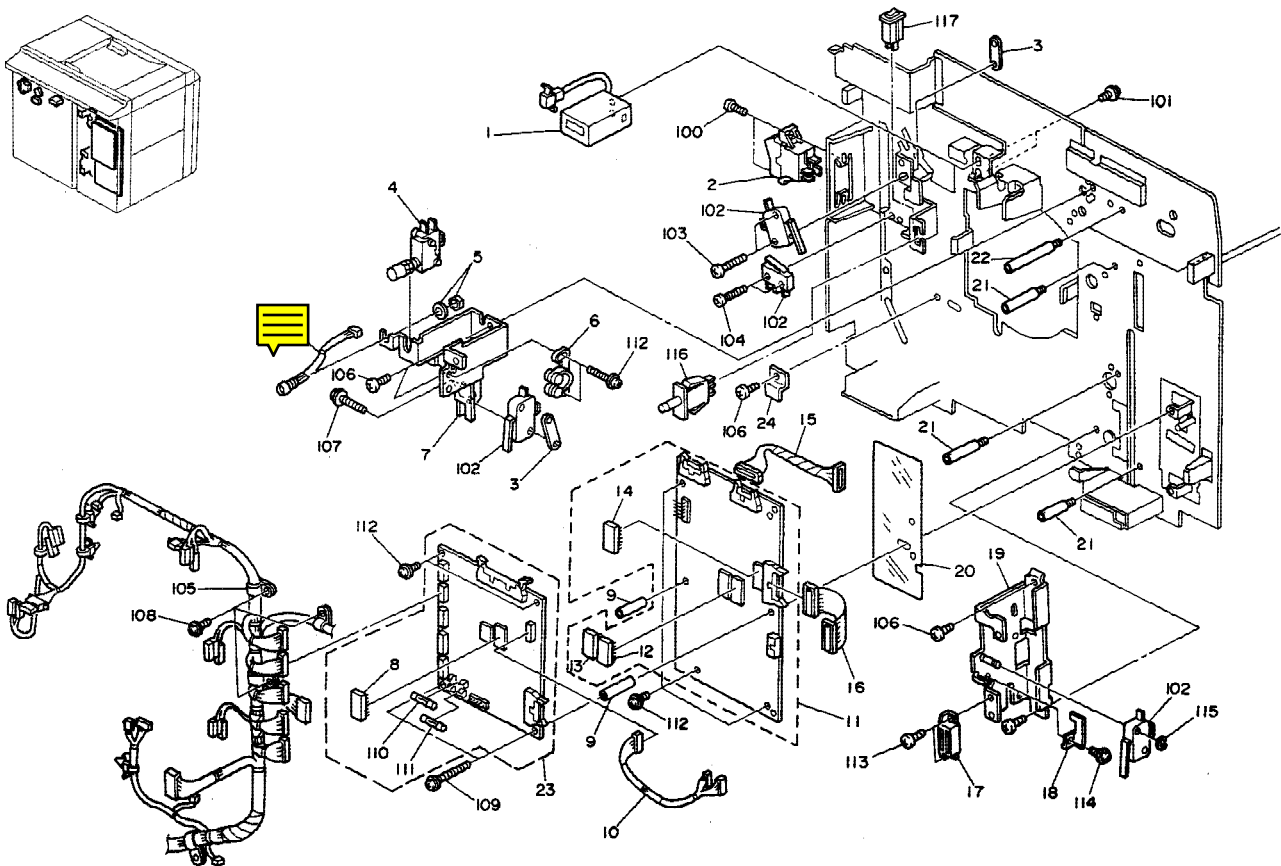


37. ELECTRICAL SECTION I (C210)

April 25, '91

Index No.	Part No.	Description	Qty per Assembly
1	AW02 0021	Photointerruptor	2
2	C209 2306	Drum Sensor Bracket	2
3	C209 2105	Right Grip - Paper Delivery	1
4	C210 8412	Power Supply Cord - LT	1
4	C210 8429	Power Supply Cord - A4	1
5	C203 8095	Upper Harness Supporter	1
6	C210 2182	Safety Switch Bracket	1
7	C200 3123	Support Plate - Safety Switch	1
8	C209 8191	Microswitch - VAQ-4GK	1
9	C209 2169	Harness Bracket	1
10	C210 8064	AC Drive Board	1
11	C209 8212	Table Drive Motor	1
12	C203 5138	Worm Gear	1
13	C203 5140	Motor Bracket	1
14	C203 2759	Master Cutter Decal	1
15	C210 2190	Drum Safety Switch Bracket	1
16	C200 3755	Plate Spring	1
17	C210 2171	Safety Switch Bracket - Master Box	1
18	C203 2114	Bracket	1
19	C203 2128	AC Drive Board Cover	1
20	C210 2185	Safety Switch Cover	1

Index No.	Part No.	Description	Qty per Assembly
100	0314 0080Z	Philips Screw - 4x8	
101	1106 0430	Bushing - 13mm	
102	1602 0991	Noise Filter - 115V	
102	1602 7048	Noise Filter - 220/240V	
103	0434 0080Z	Tapping Screw - M4x8	
104	0574 0040E	Hexagon Headless Set Screw - M4x4	
105	1106 0101	Cord Stopper (110,115V)	
106	0705 0040B	Bushing - 4x5	
107	1107 0709	Fuse - 3.15A 125V	
108	0313 0050Z	Philips Screw - 3x5	
109	1204 1442	Microswitch	
110	0720 0020Z	Retaining Ring - M2	
111	0960 4008Z	Flange Head Screw - 4 x 8	
112	0314 0160Z	Philips Pan Head Screw - M4x16	
113	0315 0120Z	Philips Screw - 5x12	
114	0807 4007	Washer - 5.2x8x0.1mm	
115	0805 3208	Ball Bearing - 6x10x3mm	
116	0313 0040Z	Philips Pan Head Screw - M3x4	
117	0433 0060W	Tapping Screw - M3x6	
118	0801 1135	Philips Pan Head Screw - M3x3	

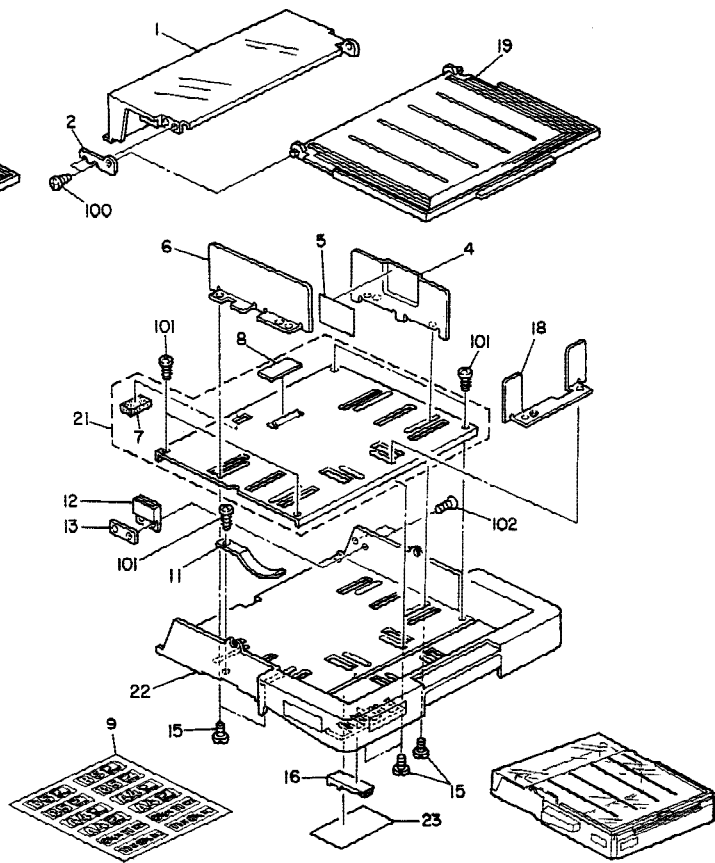
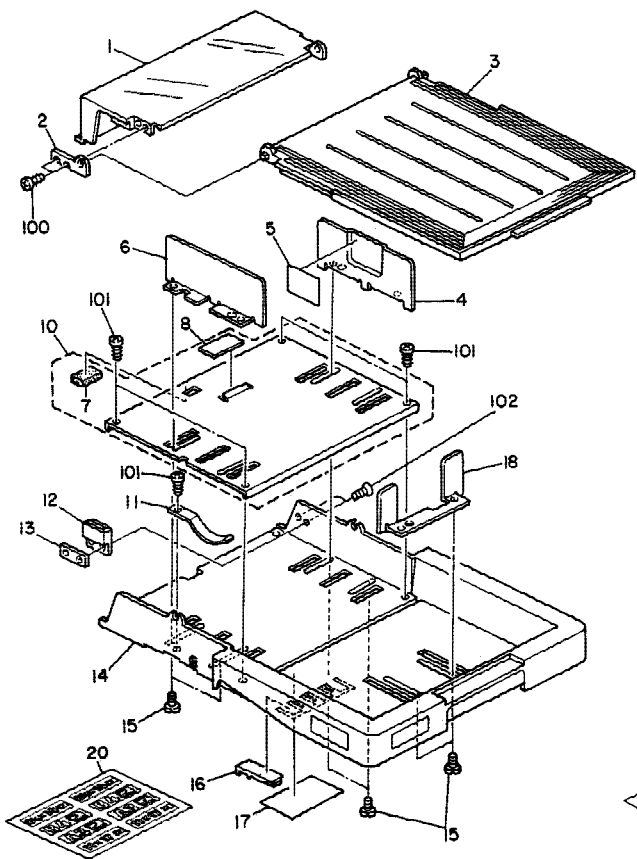


38. ELECTRICAL SECTION II (C210)

April 25, '91

Index No.	Part No.	Description	Q'ty per Assembly
1	C200 8446	Copy Counter	1
2	C209 8276	Main Switch	1
3	5056 0509	Nut Plate - Microswitch	2
4	C209 8191	Microswitch - VAQ-4GK	1
5	C209 8278	Led - Drum	1
6	C209 2469	Door Catch	1
7	C209 2418	Push Switch Bracket	1
8	C210 8626	IC - 122-HN27C512G-17	1
9	C203 2031	Main Board Spacer	2
10	C209 8104	Plotter Unit Harness	1
11	C210 8001	Image Processing Board	1
12	C210 8005	ROM - IC 053	1
13	C210 8006	ROM - IC 054	1
14	C210 8004	ROM - IC 033	1
15	C209 8157	Flat Cable - IP Board - 180mm	1
16	C209 8151	Flat Cable - Main/IPB - 75mm	1
17	5054 0536	Magnet Catch Ass'y	1
18	C200 3755	Plate Spring	1
19	C209 2419	Safety Switch Bracket	1
20	C209 5094	Insulating Sheet	1
21	C200 2596	Main Board Stud - Long	3
22	C209 8500	Stud - Main Control Board	1
23	C210 8625	Main Board - A4	1
24	C203 2128	AC Drive Board Cover	1

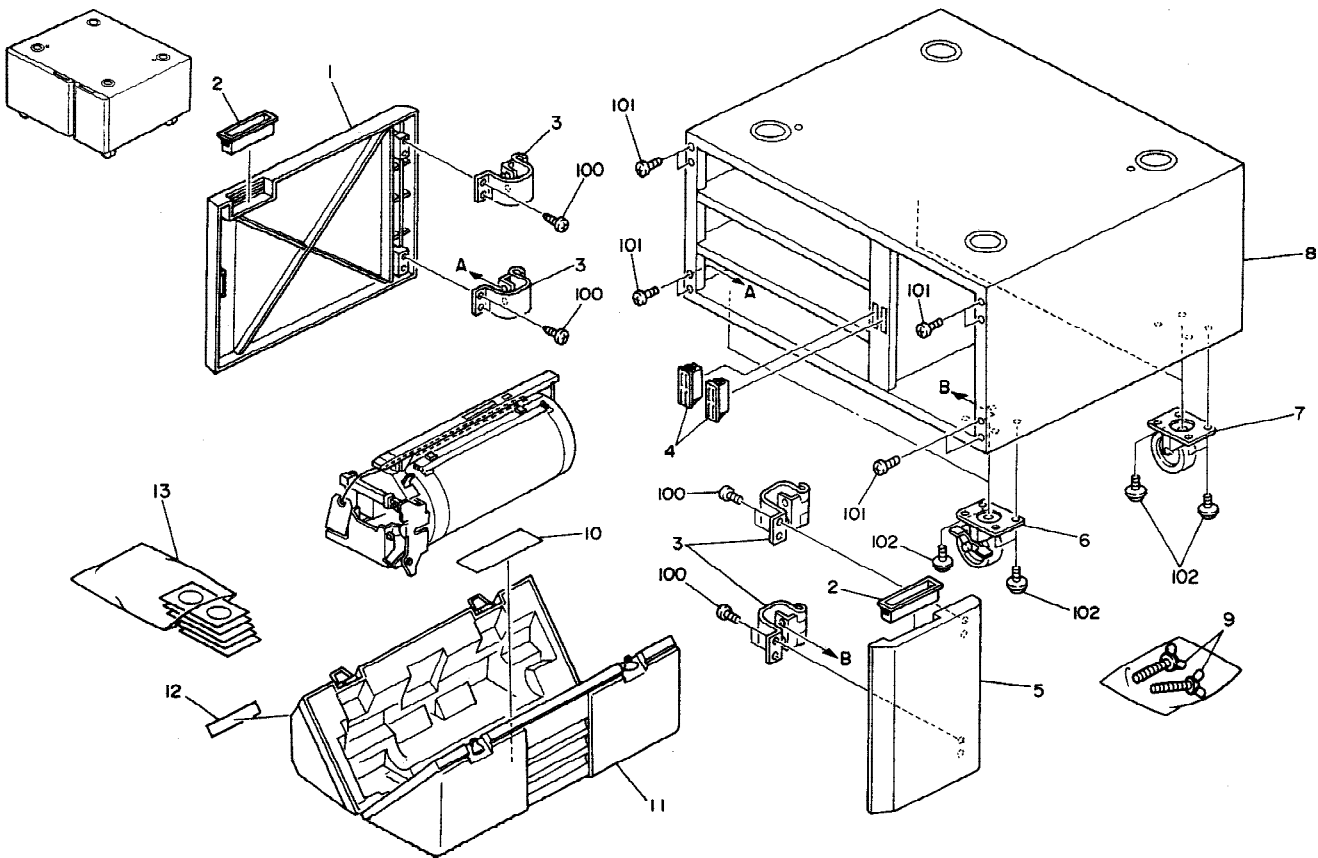
Index No.	Part No.	Description	Q'ty per Assembly
100	0313 0060Z	Philips Pan Head Screw - M3x6	
101	0951 3004Z	Philips Screw With Flat Washer - M3x4	
102	1204 1442	Microswitch	
102	1204 2267	Micro Switch - V-162-3C25	
103	0313 0140Z	Philips Pan Head Screw - M3x14	
104	0800 0084	Philips Pan Head Screw - M2.3x12	
105	1105 0016	Nylon Clip - 4N	
106	0434 0080Z	Tapping Screw - M4x8	
107	0313 0120Z	Philips Screw - 3x12	
108	0960 4008Z	Flange Head Screw - 4 x 8	
109	0951 3025Z	Philips Screw With Flatwasher - M3x25	
110	1107 0411	Fuse - 2A 125V	
111	1107 0415	Fuse 5A	
112	0951 3006Z	Philips Screw With Flat Washer - M3	
113	0314 0080Z	Philips Screw - 4x8	
114	0960 3006B	Philips Flange Screw - M3 x 6	
115	0720 0020Z	Retaining Ring - M2	
116	1204 2263	Safety Switch	
117	1107 0708	Circuit Braker - 6A 250V	



39. CASSETTE (C210)

Index No.	Part No.	Description	Q'ty per Assembly
1	C209 5152	Cover Stopper - Large	2
2	C522 2417	Cover Stopper Supporter	2
3	C530 5012	Cassette Cover - Large	1
4	C209 5175	Side Fence	2
5	AA00 2010	Decal - Paper Level	2
6	C522 2431	Side Fence	2
7	C522 2423	Cushion Seal - 10x19	2
8	5507 6828	Rubber Plate - Feed Table	2
9	C209 5181	Decal - Paper Size - Small	1
10	C209 5155	Bottom Plate - Large	1
11	C522 2434	Grounding Plate	2
12	C200 3053	Magnet Catch	2
13	C522 2433	Plate Nut	2
14	C209 5151	Cassette Body - Large	1
15	C522 2435	Screw - M3	6
16	C209 5171	Magnet Holder	3
17	C209 5182	Decal - Magnet - Large	1
18	C522 2432	Rear Fence	2
19	C529 5012	Cassette Cover - Small	1
20	C209 5180	Decal - Paper Size - Large	1
21	C209 5162	Bottom Plate - Small	1
22	C209 5164	Cassette Body - Small	1
23	C209 5183	Decal - Magnet - Small	1

Index No.	Part No.	Description	Q'ty per Assembly
100	0433 0082Z	Tapping Screw - M3x8	
101	0413 0052Z	Tapping Screw - M3x5	
102	0323 0060Z	Philips Sunk Screw - M3x6	



40. TABLE SECTION (C210)

Index No.	Part No.	Description	Q'ty per Assembly
1	C525 2020	Left Door	1
2	C525 2030	Door Grip	2
3	C525 2031	Door Hinge	4
4	C525 2032	Magnet Catch	4
5	C525 2025	Right Door	1
6	C525 2034	Caster Stopper	2
7	C525 2033	Caster	2
8	C525 2002	Table	1
9	C525 2035	Buttefly Bolt	2
10	C526 2113	Decal - Drum Set	1
11	C526 2100	Option Drum Case	1
12	C526 2110	Decal - Drum Case	1
13	C526 2150	Drum Decal - Black	1
13	C526 2151	Drum Decal - Red	1
13	C526 2152	Drum Decal - Blue	1
13	C526 2153	Drum Decal - Green	1
13	C526 2154	Drum Decal - Brown	1

Index No.	Part No.	Description	Q'ty per Assembly
100	0957 4006B	Screw - M4x6	
101	0960 3008B	Philips Flange Screw - M3 x 8	
102	0957 5012B	Screw - M5x12	

CAPACITOR

SYMBOL NO.	INDEX NO.
C101	170
C102	170
C103	172
C104	172
C105	171
C106	171
C107	171
C108	171
C109	158
C110	162

SYMBOL NO.	INDEX NO.
C111	168
C112	158
C113	159
C114	159
C115	159
C116	159
C117	160
C118	164
C119	164
C120	166

SYMBOL NO.	INDEX NO.
C121	162
C122	162
C123	166
C124	166
C125	166
C126	162
C127	166
C128	169
C129	166
C130	166

SYMBOL NO.	INDEX NO.
C131	166
C132	166
C133	166
C134	166
C135	166
C136	166
C137	166
C138	167
C139	167
C140	166

SYMBOL NO.	INDEX NO.
C141	166
C142	166
C143	166
C144	166
C145	166
C146	166
C147	166
C148	166
C149	166
C150	166

SYMBOL NO.	INDEX NO.
C151	166
C152	166
C153	166
C154	166
C155	166
C156	166
C157	163
C158	166
C159	166
C160	166

SYMBOL NO.	INDEX NO.
C161	166
C162	166
C163	166
C164	166
C165	161
C166	166
C167	161
C168	166
C169	165
C170	165

CONNECTOR

SYMBOL NO.	INDEX NO.
C171	166
C172	163
C173	163

SYMBOL NO.	INDEX NO.
CN101	103
CN102	105
CN103	107
CN104	106
CN105	103
CN106	108
CN107	109
CN108	102
CN109	104

COIL

SYMBOL NO.	INDEX NO.
L101	173
L102	173

DIODE ARRAY

SYMBOL NO.	INDEX NO.
DAY101	123
DAY102	123
DAY103	123
DAY104	123
DAY105	123
DAY106	123
DAY107	123
DAY108	123

DIODE

SYMBOL NO.	INDEX NO.
D101	122
D102	122
D103	119
D104	119
D105	122
D106	119
D107	119
D108	119
D109	119
D110	119

SYMBOL NO.	INDEX NO.
D111	122

DPS

SYMBOL NO.	INDEX NO.
DPS101	114

FBL

SYMBOL NO.	INDEX NO.
FBL101	174
FBL102	174
FBL103	174
FBL104	174
FBL105	174

FUSE

SYMBOL NO.	INDEX NO.
FU101 (SOCKET)	112 216
FU102 (SOCKET)	113 216

IC

SYMBOL NO.	INDEX NO.
IC101	136
IC102	133
IC103	121
IC104	117
IC105	117
IC106	147
IC107	147
IC108	131
IC109	131
IC110	143

SYMBOL NO.	INDEX NO.
IC111	132
IC112	148
IC113	146
IC114	137
IC115	142
IC116	139
IC117	142
IC118	134
IC119	139
IC120	142

SYMBOL NO.	INDEX NO.
IC121	140
IC122	1
(Socket)	111
IC123	217
(Socket)	110
IC124	130
IC125	126
IC126	126
IC127	118
IC128	133

SYMBOL NO.	INDEX NO.
IC129	127
IC130	138
IC131	135
IC132	126
IC133	131
IC134	128
IC135	128
IC136	120
IC137	136
IC138	127

SYMBOL NO.	INDEX NO.
IC139	136
IC140	127
IC141	146
IC142	133
IC143	144
IC144	141
IC145	129
IC146	145
IC147	120
IC148	133

LED

SYMBOL NO.	INDEX NO.
LED101	125
LED102	125
LED103	125
LED104	125
LED105	125
LED106	125

OSC

SYMBOL NO.	INDEX NO.
OSC101	149

TRANSISTOR

SYMBOL NO.	INDEX NO.
Q101	115
Q103	116

RESISTOR

SYMBOL NO.	INDEX NO.
R101	211
R102	211
R103	175
R104	175
R105	208
R106	208
R107	208
R108	208
R109	192
R110	199

SYMBOL NO.	INDEX NO.
R111	192
R112	199
R113	188
R114	200
R115	177
R116	177
R117	203
R118	177
R119	199
R120	199

SYMBOL NO.	INDEX NO.
R121	213
R122	179
R123	179
R124	192
R125	199
R126	199
R127	178
R128	176
R129	210
R130	202

SYMBOL NO.	INDEX NO.
R131	202
R132	214
R133	209
R134	201
R136	212
R137	199
R138	191
R139	199
R140	194

SYMBOL NO.	INDEX NO.
R141	197
R142	177
R143	185
R144	185
R145	185
R146	176
R147	199
R148	187
R149	202
R150	186

PHOTOCOUPLER

SYMBOL NO.	INDEX NO.
PC101	124

RESISTOR

SYMBOL NO.	INDEX NO.
R151	180
R152	206
R153	193
R154	196
R155	204
R156	189
R157	181
R158	182
R159	207
R160	186

RESISTOR ARRAY

SYMBOL NO.	INDEX NO.
R161	198
R162	176
R165	176
R166	176
R167	177
R168	177
R169	177
R170	190

SYMBOL NO.	INDEX NO.
R171	176
R172	176
R173	199
R174	199
R175	199
R176	177
R177	199
R178	215
R179	215
R180	192

SYMBOL NO.	INDEX NO.
R181	192
R182	205
R183	205
R184	192
R185	192
R186	183
R187	199
R188	199
R189	183
R190	183

SYMBOL NO.	INDEX NO.
R191	183
R192	192
R193	192
R194	205
R195	205
R196	192
R197	192
R198	215
R199	177
R200	215

SYMBOL NO.	INDEX NO.
R201	195
R202	184
R203	199
R204	198

SYMBOL NO.	INDEX NO.
RAY101	150
RAY102	150
RAY103	150
RAY104	153
RAY105	153
RAY106	152
RAY107	154
RAY108	154
RAY109	152
RAY110	151

TEST POINT

SYMBOL NO.	INDEX NO.
RAY111	15
RAY112	151
RAY113	150
RAY114	150
RAY115	150
RAY116	150

SYMBOL NO.	INDEX NO.
TP101	101
TP102	101
TO103	101
TP104	101
TP105	101
TP106	101
TP107	101

BARIABLE RESISTOR

SYMBOL NO.	INDEX NO.
VR101	156
VR102	157
VR103	156
VR104	157
VR105	155

41. MAIN BOARD (C210)

April 25, '91

Index No.	Part No.	Description	Q'ty per Assembly
*	C210 8625	Main Board - A4	1
1	C210 8626	IC - 122-HN27C512G-17	1
101	1101 0328	Connector Pin Contact	
102	1102 4212	CT Header - 15P	
103	1102 4823	Connector - 30P	
104	1102 5214	Connector - 68P	
105	1102 5215	Connector - 26P	
106	1102 5218	Connector - 26P	
107	1102 5223	Connector - 30P	
108	1103 0755	Connector - 50P	
109	1103 1098	Connector - 9P	
110	1104 0296	Connector - 24P	
111	1104 0413	Connector - 28P	
112	1107 0411	Fuse - 2A 125V	

Index No.	Part No.	Description	Q'ty per Assembly
113	1107 0415	Fuse 5A	
114	1204 1015	DIP Switch	
115	1400 0291	Transistor - 2SA1020Y	
116	1400 0340	Transistor - 2SC2532	
117	1401 0398	IC - STA402A	
118	1401 0400	Transistor Array - SLA4060	
119	1401 0835	Diode - 1SS190	
120	1401 0876	Transistor - PA2003GR	
121	1401 0877	Transistor - TD62083F	
122	1402 0110	Diode - V06C	
123	1402 0209	Diode Array - DAN - 401	
124	1403 0503	IC - PC817	
125	1403 0558	LED - SEL2110RTP3	
126	1407 1535	IC - TD62308AP	
127	1407 2058	IC - 82C54FP-6	
128	1407 2273	IC - TA8050P	
129	1407 2348	IC - TC4051BF	
130	1407 2510	IC - UPD78C10G - 36	
131	1407 2746	IC - CXD1095Q	
132	1407 3701	IC - TMP82C79M-2	
133	1407 1600	IC - SN74LS244NS	
134	1407 1605	TTL - SN74LS157NS	
135	1407 1741	IC - SN74LS32NS	
136	1407 1746	IC - SN74LS240NS	
137	1407 1880	IC - SN74LS04NS	
138	1407 1882	IC - SN74LS373NS	
139	1407 2077	IC - SN74LS138NS	
140	1407 2081	IC - SN74LS08NS	
141	1407 2218	IC - SN74LS06NS	
142	1407 2247	IC - SN74LS164NS	
143	1407 3627	IC - SN74LS145NS	
144	1408 0418	IC - PST519A	
145	1408 0471	IC - TCA955	
146	1408 0879	IC - IR9358N	
147	1408 0880	IC - IR2339N	

Index No.	Part No.	Description	Q'ty per Assembly
148	1408 0790	IC - PC324G	
149	1503 0071	Oscillator - 12MHz	
150	1601 7374	Resistor Array - 4.7K Ω	
151	1601 7376	Resistor Array - 10k Ω \pm 5% 1/8W	
152	1601 7377	Resistor Array - 15k Ω \pm 5% 1/8W	
153	1601 7396	Resistor Array - 4.7k Ω	
154	1601 7404	Resistor Array - 10k Ω 1/2W	
155	1601 8145	Variable Resistor - 5k Ω 0.5W	
156	1601 8157	Variable Resistor - 100k Ω	
157	1601 8186	Variable Resistor - 200k Ω	
158	1604 1363	Capacitor - 10uF \pm 20% 25V	
159	1604 1367	Capacitor - 100uF \pm 20% 25V	
160	1604 1387	Capacitor - 220 Uf 50V	
161	1604 1418	Capacitor - 1uF 25V	
162	1605 0226	Capacitor - 1000pF 50V	
163	1605 0234	Capacitor - 220pF 50V	
164	1606 1140	Capacitor - 0.1uF +80%-20%	
165	1606 1190	Capacitor - 150pF 50V	
166	1606 1452	Capacitor - 0.01uF 50V	
167	1606 1520	Capacitor - 27pF 50V	
168	1606 1638	Capacitor - 0.22mF 50V	
169	1606 1832	Capacitor - 0.015uF 25V \pm 5%	
170	1606 1833	Capacitor - 0.022NF 25V \pm 5%	
171	1606 1834	Capacitor - 0.03NF 25V \pm 5%	
172	1606 1835	Capacitor - 0.1NF 25V \pm 5%	
173	1607 0001	Coil - SN-8S-500	
174	1607 0477	Inductor - BLM21A05	
175	1630 2101	Resistor - 100 Ω 1/8W	
176	1630 2102	Resistor - 1k Ω 1/8W \pm 5%	
177	1630 2103	Resistor - 10k Ω 1/8W	
178	1630 2104	Resistor - 100k Ω 1/8W \pm 5%	
179	1630 2113	Resistor - 11k Ω 1/8W \pm 5%	
180	1630 2123	Resistor - 12k Ω 1/8W \pm 5%	
181	1630 2124	Resistor - 120k Ω 1/8W \pm 5%	
182	1630 2133	Resistor - 13k Ω 1/8W \pm 5%	

Index No.	Part No.	Description	Q'ty per Assembly
183	1630 2151	Resistor - 1.5k Ω 1/8W \pm 5%	
184	1630 2203	Resistor - 20k Ω	
185	1630 2223	Resistor - 22k Ω 1/8W \pm 5%	
186	1630 2242	Resistor - 2.4k Ω 1/8W \pm 5%	
187	1630 2243	Resistor - 24k Ω 1/8W \pm 5%	
188	1630 2244	Resistor - 240k Ω 1/8W \pm 5%	
189	1630 2302	Resistor - 3k Ω 1/8W \pm 5%	
190	1630 2303	Resistor - 30k Ω 1/8W \pm 5%	
191	1630 2330	Resistor - 33 Ω 1/8W \pm 5%	
192	1630 2332	Resistor - 3.3k Ω 1/8W \pm 5%	
193	1630 2362	Resistor - 3.6k Ω 1/8W \pm 5%	
194	1630 2391	Resistor - 390 Ω 1/8W	
195	1630 2393	Resistor - 39k Ω 1/8W \pm 5%	
196	1630 2432	Resistor - 4.3k Ω 1/8W \pm 5%	
197	1630 2470	Resistor - 47 Ω 1/8W \pm 5%	
198	1630 2471	Resistor - 470 Ω 1/8W \pm 5%	
199	1630 2472	Resistor - 4.7k Ω 1/8W \pm 5%	
200	1630 2473	Resistor - 47k Ω 1/8W \pm 5%	
201	1630 2511	Resistor - 510 Ω 1/8W \pm 5%	
202	1630 2513	Resistor - 51 Ω 1/8W \pm 5%	
203	1630 2514	Resistor - 510k Ω 1/8W \pm 5%	
204	1630 2562	Resistor - 5.6k Ω	
205	1630 2683	Resistor - 68k Ω 1/8W \pm 5%	
206	1630 2752	Resistor - 7.5k Ω 1/8W \pm 5%	
207	1630 2823	Resistor - 82k Ω 1/8W \pm 5%	
208	1630 2824	Resistor - 820k Ω 1/8W \pm 5%	
209	1611 4102	Resistor - 1K Ω 1/4T \pm 5%	
210	1611 4302	Resistor - 3.0k Ω 1/4T \pm 5%	
211	1611 4470	Resistor - 47 Ω 1/4T 5%	
212	1611 6222	Resistor - 2.2k Ω 1/2T \pm 5%	
213	1611 6361	Resistor - 360 Ω 1/8T \pm 5%	
214	1611 6471	Resistor - 470 Ω 1/2T \pm 5%	
215	1630 2152	Resistor - 1.5k Ω 1/8W \pm 5%	
216	1104 0351	Fuse Holder	
217	1407 3512	IC - MK48Z52B-20	

CAPACITOR

SYMBOL NO.	INDEX NO.
C301	119
C303	120
C302	129

NOISE KILLER

SYMBOL NO.	INDEX NO.
CR301	118
CR303	118
CR304	118
CR305	118
CR306	118

CONNECTOR

SYMBOL NO.	INDEX NO.
CN301	101
CN302	102
CN303	103
CN304	104

DIODE

SYMBOL NO.	INDEX NO.
D301	110
D302	110
D303	110
D304	111
D305	111

FUSE

SYMBOL NO.	INDEX NO.
FU301 (Socket)	130 131

COIL

SYMBOL NO.	INDEX NO.
L301	121

PHOTOCOUPLER

SYMBOL NO.	INDEX NO.
PC301	115

TRANSISTOR

SYMBOL NO.	INDEX NO.
Q301	109

ZENER DIODE

SYMBOL NO.	INDEX NO.
ZD301	112
ZD302	112
ZD303	113

RA

SYMBOL NO.	INDEX NO.
RA301	105
RA302	106
RA303	107
RA304	108

RESISTOR

SYMBOL NO.	INDEX NO.
R301	122
R302	124
R303	125
R304	126
R305	126
R306	123

SSR

SYMBOL NO.	INDEX NO.
SSR301	127
SSR302	127
SSR303	128

ST

SYMBOL NO.	INDEX NO.
ST301	114

Z

SYMBOL NO.	INDEX NO.
Z301	116
Z302	116
Z303	116
Z304	117

42. AC DRIVE BOARD (C210)

April 25, '91

Index No.	Part No.	Description	Q'ty per Assembly
*	C210 8064	AC Drive Board	1
1	C210 8060	Heat Sink	1



Index No.	Part No.	Description	Q'ty per Assembly
101	1102 4202	CT Header - 3P	
102	1102 4206	CT Header - 7P	
103	1103 1169	Connector - 6P	
104	1102 1048	Pin Housing - Mate-N-Lock - 3P	
105	1208 1263	Relay - AC100V	
106	1208 1246	Relay - AC100V	
107	1208 1245	Relay - DC24V	
108	1208 1317	Relay - DC24V	
109	1401 0870	Transistor - 2SK724	
110	1401 0717	Diode - V05E	
111	1401 0611	Diode - IS1588	
112	1402 0452	Zener Diode - RD18FB	
113	1402 0426	Zener Diode - RD12FB2	
114	1402 0646	Diode - S5VB20	
115	1403 0519	Photocoupler - TLP621	
116	1404 0226	Varistor - 390V 1.0W	
117	1404 0143	Varistor - SNR221KD-10	
118	1602 1501	Resistor - 120Ω 0.1uF	
119	1604 1534	Capacitor - 100uF 200V	
120	1604 2359	Capacitor - 100uF DC50V ±20%	
121	1607 0001	Coil - SN-8S-500	
122	1611 4392	Resistor - 3.9k Ω 1/4T ±5%	
123	1611 4751	Resistor - 750 Ω 1/4T ±5%	
124	1600 1522	Resistor - 6.8k Ω 7W ±10%	
125	1600 1523	Resistor - 1Ω 10W ±10%	
126	1600 1524	Resistor - 7.5Ω 10W ±10%	
127	1208 1301	Relay - DC24V	
128	1208 1024	Solid State Relay - 240V 2A	
129	1606 1831	Capacitor	
130	1107 0709	Fuse - 3.15A 125V	
131	1104 0351	Fuse Holder	

CAPACITOR

SYMBOL NO.	INDEX NO.	SYMBOL NO.	INDEX NO.	SYMBOL NO.	INDEX NO.	SYMBOL NO.	INDEX NO.	SYMBOL NO.	INDEX NO.	SYMBOL NO.	INDEX NO.	SYMBOL NO.	INDEX NO.
C001	115	C012B	115	C022B	115	C032B	115	C042B	115	C053B	115	C064B	115
C002	110	C013B	115	C023B	115	C033B	115	C043B	115	C054B	115	C065B	115
C003	109	C014B	115	C024B	115	C034B	111	C044B	115	C055B	115	C066B	115
C005B	111	C015B	111	C025B	115	C035B	115	C046B	115	C056B	115	C068B	115
C006	115	C016B	115	C026B	111	C036B	111	C047B	115	C057B	115	C069B	115
C007	115	C017B	115	C027B	111	C037B	111	C048B	115	C058B	115	C070B	115
C008B	115	C018B	115	C028B	115	C038B	115	C049B	115	C059B	115	C071B	115
C009B	115	C019B	115	C029B	111	C039B	115	C050B	115	C061B	115	C072B	115
C010B	115	C020B	115	C030B	115	C040B	115	C051B	115	C062B	115	C073B	115
C011B	115	C021B	115	C031B	115	C041B	115	C052B	115	C063B	115	C074B	115

SYMBOL NO.	INDEX NO.	SYMBOL NO.	INDEX NO.	SYMBOL NO.	INDEX NO.	SYMBOL NO.	INDEX NO.	SYMBOL NO.	INDEX NO.	SYMBOL NO.	INDEX NO.	SYMBOL NO.	INDEX NO.
C075B	115	C091B	115	C101B	115	C114B	115	C124B	115	C134B	115	C144B	115
C076B	115	C092B	115	C104B	115	C115B	115	C125B	115	C135B	115	C145B	115
C077B	115	C093B	115	C106B	115	C116B	115	C126B	115	C136B	115	C146B	115
C078B	115	C094B	115	C107B	115	C117B	112	C127B	115	C137B	115	C147B	115
C079B	115	C095B	115	C108B	115	C118B	112	C128B	115	C138B	115	C148B	115
C082B	115	C096B	115	C109B	115	C119B	115	C129B	115	C139B	115	C149B	115
C083B	115	C097B	115	C110B	115	C120B	115	C130B	115	C140B	115	C150B	115
C088B	115	C098B	115	C111B	115	C121B	115	C131B	115	C141B	115	C151B	115
C089B	115	C099B	115	C112B	115	C122B	115	C132B	115	C142B	115	C152B	115
C090B	115	C100B	115	C113B	115	C123B	115	C133B	115	C143B	115	C153B	111

CAPACITOR

SYMBOL NO.	INDEX NO.
C154B	115
C155B	115
C156B	115
C157B	115
C158B	115
C159B	115
C160B	115
C161B	115
C162B	115
C163B	115

SYMBOL NO.	INDEX NO.
C164B	115
C165B	115
C166B	115
C167B	115
C168B	115
C169B	115
C170B	115
C171B	115
C172B	115
C173B	115

SYMBOL NO.	INDEX NO.
C174B	113
C175B	113
C176B	114
C177B	114
C178B	114
C179B	114
C180B	114
C181B	114
C182	114

CONNECTOR

SYMBOL NO.	INDEX NO.
CN401	106
CN402	104
CN403	103
CN404	105
CN405	102

FBL

SYMBOL NO.	INDEX NO.
FBL001B	117
FBL002B	117
FBL003B	117
FBL004B	117
FBL005B	117
FBL006B	117
FBL007B	117
FBL008B	117
FBL009B	117
FBL010B	117

SYMBOL NO.	INDEX NO.
FBL011B	117
FBL012B	117
FBL013	117
FBL014	117
FBL015B	117
FBL016B	117
FBL017B	117
FBL018B	117
FBL019	117
FBL020	117

SYMBOL NO.	INDEX NO.
FBL021	117
FBL022	117
FBL023B	117
FBL024	117

IC

SYMBOL NO.	INDEX NO.
IC001	132
IC002	149
IC003	149
IC004	139
IC005	133
IC006	133
IC007	142
IC008	142
IC009	142
IC010	142

SYMBOL NO.	INDEX NO.
IC011	142
IC012B	142
IC013	152
IC014	145
IC015	145
IC016	147
IC017	147
IC018	147
IC019	142
IC020	142

SYMBOL NO.	INDEX NO.
IC021	142
IC022	152
IC023	152
IC024	152
IC025	145
IC026	145
IC027	147
IC028	147
IC030	142
IC131	142

SYMBOL NO.	INDEX NO.
IC032	142
IC033	3
(Socket)	158
IC034	141
IC035	145
IC036	145
IC038	137
IC039	141
IC040	132
IC041	133

SYMBOL NO.	INDEX NO.
IC042	153
IC043	159
IC044	146
IC045	146
IC046	146
IC047	146
IC048	132
IC049	141
IC050	126
IC061	130

SYMBOL NO.	INDEX NO.
IC052	1
IC053	4
(Socket)	158
IC054	5
(Socket)	158
IC055	2
IC056	153
IC057	141
IC058	136
IC059	136
IC060	142

SYMBOL NO.	INDEX NO.
IC061	153
IC062	153
IC063	157
IC064	153
IC065	141
IC066	138
IC067	156
IC068	145
IC069	128
IC070	153

IC

SYMBOL NO.	INDEX NO.
IC071	153
IC072	153
IC073	142
IC074	142
IC075	136
IC076	145
IC077	142
IC078	142
IC079	126
IC080	145

SYMBOL NO.	INDEX NO.
IC081	145
IC082	153
IC083	153
IC084	125
IC085	125
IC086	125
IC087	125
IC088	125
IC089	153
IC090	129

SYMBOL NO.	INDEX NO.
IC091	142
IC092	131
IC093	145
IC094	130
IC095	127
IC096	130
IC097	125
IC098	125
IC099	125
IC100	125

SYMBOL NO.	INDEX NO.
IC101	125
IC102	134
IC103	142
IC104	142
IC105	150
IC106	150
IC107	142
IC108	130
IC109	130
IC110	138

SYMBOL NO.	INDEX NO.
IC111	143
IC112	154
IC113	151
IC114	141
IC115	138
IC116	141
IC117	142
IC118	132
IC119	132
IC120	144

SYMBOL NO.	INDEX NO.
IC121	144
IC122	136
IC123	148
IC124	143
IC125	136
IC126	131
IC127	135
IC128	135
IC129	135
IC130	144

SYMBOL NO.	INDEX NO.
IC131	135
IC132	126
IC133	154
IC134	137
IC136	141
IC137	132
IC138	137
IC139	138
IC140	135

SYMBOL NO.	INDEX NO.
IC141	132
IC142	141
IC143	134
IC144	134
IC145B	130
IC146B	127
IC147B	144
IC148B	132
IC149B	139
IC150B	138

SYMBOL NO.	INDEX NO.
IC151B	136
IC152	155
IC153B	140
IC154	137

COIL

SYMBOL NO.	INDEX NO.
L001	116

OSC

SYMBOL NO.	INDEX NO.
OSC001	107

RESISTOR

SYMBOL NO.	INDEX NO.
R001	120
R002	120
R003	120
R004	120
R005B	120
R006B	121
R007B	120
R008B	120
R009B	120
R010B	120

SYMBOL NO.	INDEX NO.
R011B	120
R012B	120
R013B	120
R014B	120
R015	123
R016B	120
R017B	120
R018B	120
R019B	120
R020B	120

SYMBOL NO.	INDEX NO.
R021B	120
R022B	120
R023B	120
R024B	120
R025B	120
R026B	120
R027B	120
R028B	120
R029B	120
R030B	120

RESISTOR

SYMBOL NO.	INDEX NO.
R031B	120
R032B	120
R033B	120
R034B	120
R035B	123
R036B	122
R037B	120
R038B	120
R039B	120
R040B	119

SYMBOL NO.	INDEX NO.
R041B	120
R042	124
R043B	123
R044B	118
R045B	120
R046B	120
R047B	123
R048B	123
R049B	123
R050B	123

SYMBOL NO.	INDEX NO.
R051B	123
R052B	123
R053B	123
R054B	123
R055B	123
R056B	123
R057B	123
R058B	120
R059B	118
R060B	118

SYMBOL NO.	INDEX NO.
R061B	118
R062B	118
R063B	120
R064B	120
R065B	120
R066B	120
R067B	118
R068B	118
R069B	118
R070B	118

SYMBOL NO.	INDEX NO.
R071B	120
R072B	120
R073B	120
R074B	120
R075B	121
R077B	120
R078	123
R079B	123
R080B	123

SYMBOL NO.	INDEX NO.
R081	123
R082B	123
R083B	123
R084B	120
R085B	120
R086B	120
R087B	120
R088	121
R089B	123
R096	123

RESISTOR ARRAY

SYMBOL NO.	INDEX NO.
RAY001	108

TEST POINT

SYMBOL NO.	INDEX NO.
TP001	101
TP002	101
TP003	101
TP004	101
TP005	101
TP006	101
TP007	101

43. IMAGE PROCESSING BOARD (C210)

April 25, '91

Index No.	Part No.	Description	Q'ty per Assembly
*	C210 8001	Image Processing Board	1
1	A012 5226	IC - TC19G060AF0027	1
2	A037 5222	IC - TC23SC100AF-503	1
3	C210 8004	ROM - IC 033	1
4	C210 8005	ROM - IC 053	1
5	C210 8006	ROM - IC 054	1
101	1101 0328	Connector Pin Contact	
102	1102 3859	Connector - 20P	
103	1102 5212	Connector - 30P	
104	1102 5213	Connector - 50P	
105	1102 5214	Connector - 68P	
106	1103 1331	Connector - 8P	
107	1503 0415	IC - CSA13.8MX011	
108	1601 7370	Resistor Array - 1k Ω	
109	1604 1418	Capasitor - 1uF 25V	
110	1604 1734	Capacitor - 100uF 25V	
111	1605 0195	Capacitor - 680pF \pm 10%	
112	1605 0234	Capacitor - 220pF 50V	
113	1606 1140	Capacitor - 0.1uF +80%-20%	
114	1606 1190	Capacitor - 150pF 50V	
115	1606 1452	Capacitor - 0.01uF 50V	
116	1607 0001	Coil - SN-8S-500	
117	1607 0477	Inductor - BLM21A05	
118	1630 2471	Resistor - 470 Ω 1/8W \pm 5%	
119	1630 3470	Resistor - 47 Ω 1/10W \pm 5%	
120	1630 3102	Resistor - 1 Ω 1/10W \pm 5%	
121	1630 3162	Resistor - 1.6k Ω 1/10W \pm 5%	
122	1630 3222	Resistor - 2.2k Ω 1/10W \pm 5%	
123	1630 3472	Resistor - 4.7k Ω 1/10W \pm 5%	
124	1630 3103	Resistor - 10k Ω 1/10W \pm 5%	

Index No.	Part No.	Description	Q'ty per Assembly
125	1407 1502	IC - MB81256 - 15	
126	1407 1597	IC - SN74LS10NS	
127	1407 1598	IC - SN74LS125A	
128	1407 1599	IC - SN74LS153NS	
129	1407 1600	IC - SN74LS244NS	
130	1407 1605	TTL - SN74LS157NS	
131	1407 1740	IC - SN74LS27NS	
132	1407 1741	IC - SN74LS32NS	
133	1407 1746	IC - SN74LS240NS	
134	1407 1813	IC - SN74LS11NS	
135	1407 1879	IC - SN74LS86ANS	
136	1407 1880	IC - SN74LS04NS	
137	1407 2051	IC - SN74LS00NS	
138	1407 2052	IC - SN74LS74ANS	
139	1407 2077	IC - SN74LS138NS	
140	1407 2080	IC - SN74LS21NS	
141	1407 2081	IC - SN74LS08NS	
142	1407 2249	IC - SN74LS174NS	
143	1407 2250	IC - SN75LS175NS	
144	1407 2253	IC - SN74LS393NS	
145	1407 2386	IC - SN74LS163NS	
146	1407 2566	IC - SN74LS166NS	
147	1407 2594	IC - SN74LS151NS	
148	1407 2725	IC - SN74LS51NS	
149	1407 2746	IC - CXD1095Q	
150	1407 2776	TTL - SN74LS266NS	
151	1407 2805	IC - SN74LS03NS	
152	1407 2977	IC - SN74ALS574NS	
153	1407 3224	IC - LH5164LN-10	
154	1407 3674	IC - SN74LS12NS	
155	1407 3675	IC - SN74LS33NS	
156	1407 3676	IC - SN74S20NS	
157	1407 3677	IC - MN8357	
158	1104 0413	Connetctor - 28P	
159	1408 0408	IC - PST518A	

CAPACITOR

SYMBOL NO.	INDEX NO.
C701	124
C702	118
C703	120
C704	119
C705	117
C706	119
C707	118
C708	116
C709	122
C710	117

SYMBOL NO.	INDEX NO.
C711	123
C712	118
C713	118
C714	118
C715	118
C716	118
C717	118
C718	118
C719	118
C720	118

SYMBOL NO.	INDEX NO.
C721	118
C722	118
C723	118
C724	118
C725	118
C726	118
C727	118
C728	118
C729	118
C730	118

SYMBOL NO.	INDEX NO.
C732	118
C733	118
C734	118
C735	118
C736	118
C737	118
C738	118
C739	118
C740	118

SYMBOL NO.	INDEX NO.
C741	118
C742	118
C743	118
C744	118
C745	118
C746	118
C747	118
C748	118
C749	118
C750	118

SYMBOL NO.	INDEX NO.
C751	118
C752	118
C753	118
C754	118
C755	118
C756	118
C757	121
C758	117
C759	118

CONNECTOR

SYMBOL NO.	INDEX NO.
CN701	157
CN702	158
CN703	159
CN704	160
CN705	161
CN706	162
CN707	141

DIODE

SYMBOL NO.	INDEX NO.
D701	148
D702	147
D703	147

FBL

SYMBOL NO.	INDEX NO.
FBL701	142
FBL702	142
FBL703	142
FBL704	142
FBL705	142
FBL706	142
FBL707	142

IC

SYMBOL NO.	INDEX NO.
IC701	150
IC702	112
IC703	112
IC704	112
IC705	112
IC706	112
IC707	115
IC708	115
IC709	113
IC710	106

SYMBOL NO.	INDEX NO.
IC711	101
IC712	104
IC713	109
IC714	109
IC715	102
IC716	102
IC717	102
IC718	102
IC719	110
IC720	106

SYMBOL NO.	INDEX NO.
IC721	111
IC722	114
IC723	108
IC724	105
IC725	109
IC726	154
IC727	102
IC728	102
IC729	102
IC730	102

SYMBOL NO.	INDEX NO.
IC731	112
IC732	107
IC733	155
IC734	112
IC735	112
IC736	112
IC737	112
IC738	112
IC739	115
IC740	115

SYMBOL NO.	INDEX NO.
IC741	111
IC742	107
IC743	108
IC744	105
IC745	105
IC746	103
IC747	113

COIL

SYMBOL NO.	INDEX NO.
L701	143

TRANSISTOR

SYMBOL NO.	INDEX NO.
Q701	152
Q702	151
Q703	153
Q705	146
Q706	145
Q707	146

RESISTOR

SYMBOL NO.	INDEX NO.
R701	136
R702	137
R703	134
R704	133
R705	132
R706	130
R707	130
R708	131
R709	132
R710	127

SYMBOL NO.	INDEX NO.
R711	125
R712	125
R713	125
R714	125
R715	125
R716	129
R717	130
R718	130
R719	130
R720	130

SYMBOL NO.	INDEX NO.
R721	130
R722	130
R723	130
R724	130
R725	130
R726	130
R727	130
R728	129
R729	129
R730	129

SYMBOL NO.	INDEX NO.
R731	129
R732	129
R733	129
R734	129
R735	129
R736	129
R737	129
R738	129
R739	129
R740	130

SYMBOL NO.	INDEX NO.
R741	135
R742	135
R743	135
R744	135
R745	135
R746	135
R747	135
R748	135
R749	126
R750	140

RA

SYMBOL NO.	INDEX NO.
RA701	144

TEST POINT

SYMBOL NO.	INDEX NO.
TP701	156
TP702	156

ZENER DIODE

SYMBOL NO.	INDEX NO.
ZD701	149

SYMBOL NO.	INDEX NO.
R751	139
R752	138
R753	138
R754	128
R755	136
R756	136
R757	136

44. THERMAL HEAD DRIVE BOARD (C210)

April 25, '91

Index No.	Part No.	Description	Q'ty per Assembly
*	C209 8028	Thermal Head Drive Board	1
1	C203 8014	Radiation Fin	1
101	1407 1599	IC - SN74LS153NS	
102	1407 1605	TTL - SN74LS157NS	
103	1407 3704	IC - SN74LS22NS	
104	1407 1740	IC - SN74LS27NS	
105	1407 1741	IC - SN74LS32NS	
106	1407 1745	IC - SN74LS139NS	
107	1407 1746	IC - SN74LS240NS	
108	1407 1880	IC - SN74LS04NS	
109	1407 2052	IC - SN74LS74ANS	
110	1407 2081	IC - SN74LS08NS	
111	1407 2339	TTL - IC - SN74LS241NS	
112	1407 2347	IC - SN74LS161NS	
113	1407 2249	IC - SN74LS174NS	
114	1407 2804	TTL - SN74LS122NS	
115	1407 3703	IC - MB81C67-35P	
116	1606 0807	Capacitor - 0.1uF 50V	
117	1606 1140	Capacitor - 0.1uF +80%-20%	
118	1606 1452	Capacitor - 0.01uF 50V	
119	1606 1190	Capacitor - 150pF 50V	
120	1610 0286	Capacitor - 100pF 50V ±10%	
121	1604 1386	Capacitor - 100uF ±20% 50V	
122	1604 1986	Capacitor - 220mF 50V	
123	1604 2166	Capasitor - 100uF 50V ±20%	
124	1606 1346	Capacitor - 0.01uF	
125	1600 0356	Resistor	
126	1611 6122	Resistor - 1.2k Ω ±5% 1/2W	
127	1611 4330	Resistor - 330 Ω 1/4T ±5%	

Index No.	Part No.	Description	Q'ty per Assembly
128	1611 4910	Resistor - 91 Ω 1/4T +5%	
129	1630 2471	Resistor - 470Ω 1/8W ±5%	
130	1630 2102	Resistor - 1k Ω 1/8W ±5%	
131	1630 2681	Resistor - 680Ω 1/8W ±5%	
132	1630 2222	Resistor - 2.2k Ω 1/8W ±5%	
133	1630 2682	Resistor - 6.8k Ω 1/8W ±5%	
134	1630 2301	Resistor - 300Ω 1/8W ±5%	
135	1630 2202	Resistor - 2k Ω 1/8W ±5%	
136	1630 2472	Resistor - 4.7k Ω 1/8W ±5%	
137	1630 2333	Resistor - 33k Ω 1/8W ±5%	
138	1630 2112	Resistor - 1.1k Ω 1/8W ±5%	
139	1630 2242	Resistor - 2.4k Ω 1/8W ±5%	
140	1630 2302	Resistor - 3k Ω 1/8W ±5%	
141	1102 4169	Connector - 10P	
142	1607 0477	Inductor - BLM21A05	
143	1607 0001	Coil - SN-8S-500	
144	1208 1297	Relay - DC24V	
145	1400 0243	Transistor - 2SA952	
146	1400 0510	Transistor - 2SC1623	
147	1402 0110	Diode - V06C	
148	1401 0835	Diode - 1SS190	
149	1402 0833	Zener Diode - IZ36	
150	1408 0684	IC - S17500A	
151	1400 0389	Transistor - 2SC3265	
152	1400 0381	Transistor - 2SA1036KR	
153	1401 0200	Transistor - 2SD633	
154	1408 0686	IC - MPD555G	
155	1408 0266	IC - UPC78M05	
156	1101 0328	Connector Pin Contact	
157	1102 3965	Connector - 14P	
158	1102 2641	Connector - 14P	
159	1102 3008	Connector - 10P	
160	1102 2639	Connector - 12P	
161	1102 5211	Connector - 30P	
162	1102 0915	Connector - 10P	

CAPACITOR

SYMBOL NO.	INDEX NO.	SYMBOL NO.	INDEX NO.	SYMBOL NO.	INDEX NO.	SYMBOL NO.	INDEX NO.	SYMBOL NO.	INDEX NO.	SYMBOL NO.	INDEX NO.	SYMBOL NO.	INDEX NO.
C601	152	C611	153	C621	151	C631	153	C641	147	C651	149	C661	153
C602	146	C612	147	C622	151	C632	150	C642	151	C652	153	C662	153
C603	153	C613	153	C623	153	C633	153	C643	151	C653	153	C663	148
C604	149	C614	153	C624	153	C634	153	C644	151	C654	153	C664	151
C605	153	C615	153	C625	153	C635	149	C645	153	C655	153	C665	153
C606	146	C616	161	C626	151	C636	149	C646	153	C656	151	C666	153
C607	147	C617	153	C627	151	C637	151	C647	153	C657	160	C667	153
C608	145	C618	153	C628	153	C638	151	C648	151	C658	149	C668	151
C609	147	C619	149	C629	153	C639	153	C649	149	C659	153	C669	159
C610	153	C620	149	C630	151	C640	153	C650	151	C660	153	C670	153

SYMBOL NO.	INDEX NO.	SYMBOL NO.	INDEX NO.	SYMBOL NO.	INDEX NO.	SYMBOL NO.	INDEX NO.	SYMBOL NO.	INDEX NO.	SYMBOL NO.	INDEX NO.	SYMBOL NO.	INDEX NO.
C671	153	C681	151	C691	151	C1000	157	C1010	153	CN601	106	D601	114
C672	144	C682	155	C692	153	C1001	151	C1011	153	CN602	107	D602	114
C673	155	C683	155	C693	151	C1002	151	C1012	149	CN603	102	D603	114
C674	153	C684	151	C694	158	C1003	151	C1013	151	CN604	101		
C675	153	C685	155	C695	151	C1004	151	C1014	151	CN605	105		
C676	155	C686	154	C696	151	C1005	151			CN606	103		
C677	155	C687	151	C697	151	C1006	151			CN607	104		
C678	151	C688	151	C698	151	C1007	151			CN608	108		
C679	155	C689	151	C699	156	C1008	151						
C680	155					C1009	151						

CONNECTOR

DIODE

FBL

SYMBOL NO.	INDEX NO.
FBL601	200
FBL602	200
FBL603	200
FBL604	200
FBL605	200
FBL606	200

FL

SYMBOL NO.	INDEX NO.
FL601	201
FL602	201
FL603	201
FL604	202
FL605	202
FL606	202
FL607	202
FL608	202
FL609	202
FL610	202

IC

SYMBOL NO.	INDEX NO.
IC601	118
IC602	141
IC603	128
IC604	127
IC605	133
IC606	132
IC607	127
IC608	139
IC609	139
IC610	125

SYMBOL NO.	INDEX NO.
IC611	125
IC612	125
IC613	122
IC614	129
IC615	135
IC616	120
IC617	123
IC618	134
IC619	123
IC620	122

SYMBOL NO.	INDEX NO.
IC621	136
IC622	136
IC623	124
IC624	124
IC625	137
IC626	130
IC627	126
IC628	122
IC629	135
IC630	117

SYMBOL NO.	INDEX NO.
IC631	121
IC632	131
IC633	119
IC634	122
IC635	131
IC636	136
IC637	121
IC638	122
IC639	131
IC640	135

SYMBOL NO.	INDEX NO.
IC641	119
IC642	122
IC643	131
IC644	116
IC645	116
IC646	127
IC647	118
IC648	138
IC649	140
IC650	143

SYMBOL NO.	INDEX NO.
IC651	142

COIL

SYMBOL NO.	INDEX NO.
L601	203
L602	203
L603	203

TRANSISTOR

SYMBOL NO.	INDEX NO.
Q601	110
Q602	109
Q603	109
Q604	111
Q605	110
Q606	110
Q607	111
Q608	110
Q609	110

RESISTOR

SYMBOL NO.	INDEX NO.
R601	165
R602	169
R603	169
R604	166
R605	195
R606	177
R607	173
R608	195
R609	168
R610	168

SYMBOL NO.	INDEX NO.
R611	168
R612	179
R613	179
R614	172
R615	164
R616	172
R617	176
R618	195
R619	167
R620	171

SYMBOL NO.	INDEX NO.
R621	167
R622	180
R623	170
R624	175
R625	174
R626	170
R627	175
R628	169
R629	181
R630	181

SYMBOL NO.	INDEX NO.
R631	181
R632	181
R633	181
R634	181
R635	172
R636	169
R637	170
R638	169
R639	197
R640	191

RESISTOR

SYMBOL NO.	INDEX NO.
R641	178
R642	163
R643	163
R644	163
R645	163
R646	163
R647	185
R648	194
R649	190
R650	187

SYMBOL NO.	INDEX NO.
R651	187
R652	187
R653	187
R654	187
R655	187
R656	187
R657	187
R658	192
R659	198
R660	183

SYMBOL NO.	INDEX NO.
R661	185
R662	185
R663	185
R664	185
R665	185
R666	185
R667	195
R668	196
R669	188
R670	199

SYMBOL NO.	INDEX NO.
R671	195
R672	187
R673	186
R674	190
R675	187
R676	187
R677	187
R678	179
R679	187
R680	181

SYMBOL NO.	INDEX NO.
R681	187
R682	179
R683	181
R684	187
R685	187
R686	187
R687	187
R688	180
R689	180
R690	187

SYMBOL NO.	INDEX NO.
R691	195
R692	184
R693	184
R694	187
R695	187
R696	187
R697	189
R698	189
R699	190

SYMBOL NO.	INDEX NO.
R1000	193
R1001	180
R1002	180
R1004	180
R1005	182
R1006	182
R1007	180
R1008	182
R1009	182

SYMBOL NO.	INDEX NO.
R1011	193
R1012	193
R1013	193
R1014	193
R1015	193
R1016	193
R1017	193
R1018	193
R1019	193
R1020	193

SYMBOL NO.	INDEX NO.
R1021	182
R1022	193
R1023	185
R1024	185
R1025	185
R1026	185
R1027	187
R1028	187
R1029	187
R1030	187

THERMISTOR

SYMBOL NO.	INDEX NO.
TH601	115

TEST POINT

SYMBOL NO.	INDEX NO.
TP601	204
TP602	204
TP603	204
TP604	204

VR

SYMBOL NO.	INDEX NO.
VR601	162

ZENER DIODE

SYMBOL NO.	INDEX NO.
ZD601	112
ZD602	112
ZD603	112
ZD604	112
ZD605	113

45. A/D CONVERSION BOARD (C210)

Index No.	Part No.	Description	Q'ty per Assembly
*	C209 8012	A/D Conversion Board	1

Index No.	Part No.	Description	Q'ty per Assembly
101	1102 0845	Connector - 3P	
102	1102 4205	Connector - 6P	
103	1102 4211	CT Header - 12P	
104	1102 0913	Connector - 9P	
105	1102 0915	Connector - 10P	
106	1102 3290	Connector - 50P	
107	1102 3822	Connector - 20P	
108	1103 1740	Connector - 4P	
109	1401 0200	Transistor - 2SD633	
110	1400 0389	Transistor - 2SC3265	
111	1400 0381	Transistor - 2SA1036KR	
112	1402 0561	Diode - 1SS101	
113	1402 0833	Zener Diode - IZ36	
114	1401 0835	Diode - 1SS190	
115	1404 0165	Thermistor - 203CT-4	
116	1407 1315	TTLIC - HD74LS86FP	
117	1407 1610	IC - SN7407	
118	1407 1746	IC - SN74LS240NS	
119	1407 1783	IC - SN74LS02NS	
120	1407 1813	IC - SN74LS11NS	
121	1407 1880	IC - SN74LS04NS	
122	1407 2052	IC - SN74LS74ANS	
123	1407 2081	IC - SN74LS08NS	
124	1407 2249	IC - SN74LS174NS	
125	1407 2347	IC - SN74LS161NS	
126	1407 2700	IC - SN74LS137NS	
127	1407 1600	IC - SN74LS244NS	
128	1407 1792	TTL - SN74LS374NS	
129	1407 1723	IC - TC4052BF	
130	1407 1935	IC - TC4066BF	
131	1407 1224	IC - DS0026CN-8	
132	1407 3224	IC - LH5164LN-10	
133	1408 0830	IC - MP7684F	
134	1408 0322	IC - DAC00800LCN	
135	1408 0526	IC - HA3-2525-5	

Index No.	Part No.	Description	Qty per Assembly
136	1408 0762	IC - TL082-CPS	
137	1408 0565	IC - UPC311G	
138	1408 0439	IC - IR9393	
139	1408 0685	IC - MPC814G	
140	1408 0686	IC - MPD555G	
141	1408 0408	IC - PST518A	
142	1408 0684	IC - S17500A	
143	1408 0266	IC - UPC78M05	
144	1604 1387	Capacitor - 220 Uf 50V	
145	1604 1354	Capacitor - 100uF 10V	
146	1604 1385	Capacitor - 47uF $\pm 20\%$ 50V	
147	1604 1366	Capacitor - 47uF $\pm 20\%$ 25V	
148	1604 1008	Capacitor - 35uF 25V	
149	1604 1382	Capacitor - 10uF 50V	
150	1604 1855	Capacitor - 4.7uF 25v $\pm 20\%$	
151	1606 1453	Capacitor - 0.1uF 25V	
152	1606 0807	Capacitor - 0.1uF 50V	
153	1606 1452	Capacitor - 0.01uF 50V	
154	1606 1455	Capacitor - 470pF 25V	
155	1610 0286	Capacitor - 100pF 50V $\pm 10\%$	
156	1606 1132	Capacitor - 20pF $\pm 5\%$	
157	1606 1450	Capacitor - 10uF 50V	
158	1605 0245	Capacitor - 1pF $\pm 0.25pF$	
159	1606 1346	Capacitor - 0.01uF	
160	1606 1352	Capacitor - 0.1uF 50V	
161	1604 1984	Capacitor - 1mF 16V	
162	1601 8147	Variable Resistor - 10k Ω 0.5W	
163	1600 0356	Resistor	
164	1622 1009V	Resistor - 10 Ω	
165	1622 6809	Resistor - 68 Ω	
166	1622 6809V	Resistor - 68 Ω	
167	1622 1500V	Resistor - 150 Ω	
168	1622 1001	Resistor - 1k Ω 1/4T $\pm 1\%$	
169	1622 1001V	Resistor - 1k Ω 1/4W $\pm 1\%$	
170	1622 2201V	Resistor - 2.2k Ω 0.25W $\pm 1\%$	

Index No.	Part No.	Description	Qty per Assembly
171	1622 3001V	Resistor - 3k Ω 1/4W $\pm 1\%$	
172	1622 4701V	Resistor - 4.7k Ω 0.25W $\pm 1\%$	
173	1622 5101	Resistor - 5.1k Ω $\pm 1\%$ 1/4W	
174	1622 6201V	Resistor - 6.2k Ω 0.25W $\pm 1\%$	
175	1622 6801V	Resistor - 6.08k Ω 1/4W $\pm 1\%$	
176	1622 1002V	Resistor - 10.2k Ω $\pm 1\%$ 1/4W	
177	1622 2002	Resistor - 20k Ω 1/4T $\pm 1\%$	
178	1611 4330	Resistor - 330 Ω 1/4T $\pm 5\%$	
179	1630 2100	Resistor - 10 Ω 1/8W $\pm 5\%$	
180	1630 2220	Resistor - 22 Ω 1/8W $\pm 5\%$	
181	1630 2680	Resistor - 68 Ω 1/8W $\pm 5\%$	
182	1630 2101	Resistor - 100 Ω 1/8W	
183	1630 2301	Resistor - 300 Ω 1/8W $\pm 5\%$	
184	1630 2331	Resistor - 330 Ω 1/8W $\pm 5\%$	
185	1630 2471	Resistor - 470 Ω 1/8W $\pm 5\%$	
186	1630 2681	Resistor - 680 Ω 1/8W $\pm 5\%$	
187	1630 2102	Resistor - 1k Ω 1/8W $\pm 5\%$	
188	1630 2122	Resistor - 1.2k Ω 1/8W $\pm 5\%$	
189	1630 2202	Resistor - 2k Ω 1/8W $\pm 5\%$	
190	1630 2222	Resistor - 2.2k Ohn 1/8W $\pm 5\%$	
191	1630 2332	Resistor - 3.3k Ω 1/8W $\pm 5\%$	
192	1630 2432	Resistor - 4.3k Ω 1/8W $\pm 5\%$	
193	1630 2472	Resistor - 4.7k Ω 1/8W $\pm 5\%$	
194	1630 2682	Resistor - 6.8k Ω 1/8W $\pm 5\%$	
195	1630 2103	Resistor - 10k Ω 1/8W	
196	1630 2183	Resistor - 18k Ω 1/8W $\pm 5\%$	
197	1630 2243	Resistor - 24k Ω 1/8W $\pm 5\%$	
198	1630 2114	Resistor - 110k Ω 1/8W $\pm 5\%$	
199	1630 2164	Resistor - 160k Ω 1/8W $\pm 5\%$	
200	1607 0477	Inductor - BLM21A05	
201	1602 0989	Capacitor & Coil - 100pF 100V	
202	1602 7043	Capacitor 220pF	
203	1607 0001	Coil - SN-8S-500	
204	1101 0328	Connector Pin Contact	

CAPACITOR

SYMBOL NO.	INDEX NO.
C1	145
C3	146
C4	147
C5	147
C6	147
C7	148
C8	149
C9	150
C11	151
C12	152

SYMBOL NO.	INDEX NO.
C14	153
C16	154
C17	153
C19	148
C20	149
C21	150
C23	155
C25	156
C27	154
C28	157

SYMBOL NO.	INDEX NO.
C31	158
C32	158
C33	159
C34	159
C35	160
C36	160
C37	161
C38	162
C39	163
C40	163

SYMBOL NO.	INDEX NO.
C41	164
C42	165
C43	164
C44	166
C45	166
C46	161
C47	167
C48	167
C49	162
C50	162

SYMBOL NO.	INDEX NO.
C51	162
C52	161
C53	167
C54	167
C55	168
C56	160
C57	161
C58	167
C59	169
C60	160

SYMBOL NO.	INDEX NO.
C61	170
C62	161
C63	171
C64	171
C65	172
C66	163
C67	165
C68	173
C69	161
C70	174

CONNECTOR

SYMBOL NO.	INDEX NO.
CN501	101
CN502	102
CN503	103

CT

SYMBOL NO.	INDEX NO.
CT1	144

DIODE

SYMBOL NO.	INDEX NO.
D1	116
D2	116
D3	117
D4	118
D5	117
D6	116
D7	116
D8	119
D9	120

SYMBOL NO.	INDEX NO.
D10	120
D11	121
D12	121
D13	122
	125
D14	123
D15	118
D16	124
D17	120
D18	120

SYMBOL NO.	INDEX NO.
D19	121
D20	120
D21	120

FUSE

SYMBOL NO.	INDEX NO.
FU1 (SOCKET)	104
FU2 (SOCKET)	106
	105
	107

IC

SYMBOL NO.	INDEX NO.
IC1	130
IC2	131
IC3	132
(Sheet)	139
IC4	133
IC5	134
IC6	135
(Sheet)	140
IC7	136
IC8	137

SYMBOL NO.	INDEX NO.
IC9	138

DB

SYMBOL NO.	INDEX NO.
DB1	115

COIL

SYMBOL NO.	INDEX NO.
L1	141
L2	142
L3	142
L5	143

TRANSISTOR

SYMBOL NO.	INDEX NO.
Q1 (Bracket)	126 129
Q2 (Bracket)	127 129
Q3	128
Q4	128
Q5	128

RESISTOR

SYMBOL NO.	INDEX NO.
R1	175
R2	175
R3	176
R4	177
R5	178
R6	179
R7	179
R8	180
R9	181
R10	182

SYMBOL NO.	INDEX NO.
R11	183
R12	184
R13	185
R17	186
R20	187
R21	188
R23	182
R24	181
R25	184
R26	183

SYMBOL NO.	INDEX NO.
R27	185
R29	189
R34	187
R35	188
R37	190
R38	188
R39	191
R40	192
R41	193
R42	176

SYMBOL NO.	INDEX NO.
R43	194
R44	195
R45	196
R46	197
R47	198
R48	199
R49	200
R50	192
R51	201
R52	202

SYMBOL NO.	INDEX NO.
R53	203
R54	201
R55	200
R56	192
R57	192
R58	199
R59	199
R60	204
R61	205
R62	206

PHOTOCUPLER

SYMBOL NO.	INDEX NO.
PC1	110

TRC

SYMBOL NO.	INDEX NO.
TRC1	108

VARIABLE RESISTOR

SYMBOL NO.	INDEX NO.
VR1	207

ZENER DIODE

SYMBOL NO.	INDEX NO.
ZD1	111
ZD2	112
ZD3	111
ZD4	112
ZD6	113
ZD7	114

ZNR

SYMBOL NO.	INDEX NO.
ZNR1	109

46. POWER SUPPLY UNIT (C210)

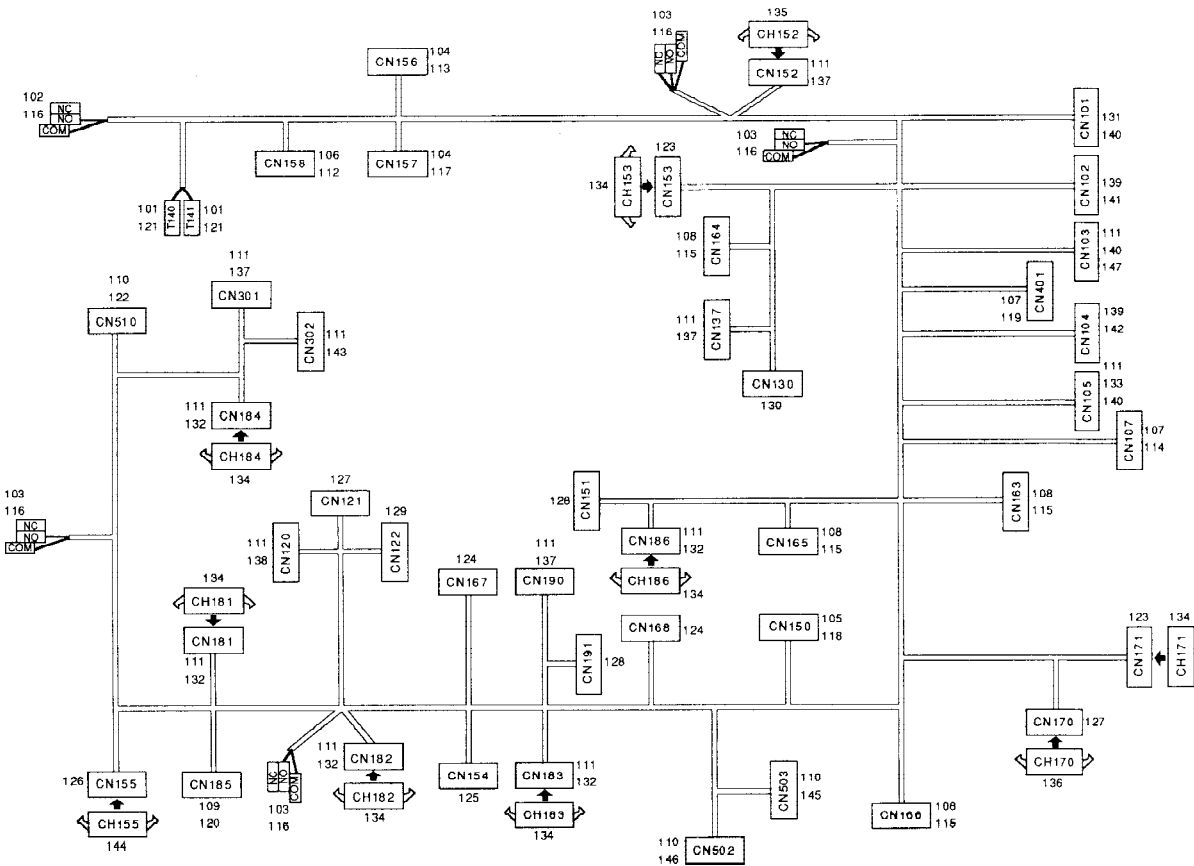
April 25, '91

Index No.	Part No.	Description	Q'ty per Assembly
*	C210 8301	Power Supply Unit	1
1	C210 8305	Thermostat	1
2	C209 8306	Fan - DC24V	1
3	C209 8307	Bracket	1
4	C209 8308	Upper Cover	1
5	C209 8309	Heat Sink - 1	1
6	C210 8310	Heat Sink - 2	1
7	C209 8311	Heat Sink - 3	1
8	C209 8312	Heat Sink - 4	1
9	C209 8313	Heat Sink - DB - TRC	1
10	C209 8314	Support Plate	1
11	C209 8318	Relay Harness	1
12	C209 8319	Insulating Sheet	1
13	C209 8321	Insulating Sheet - BFG-45	1
14	C210 8315	Transformer - T1	1
15	C210 8316	Transformer - T2	1
16	C209 8320	Coil - L4	1
17	C209 8317	Coil	1
18	C210 8322	Sealding Plate	1
101	1102 4927	Connector - 4P	
102	1102 5381	Connector - 20P	

Index No.	Part No.	Description	Q'ty per Assembly
103	1102 5382	Connector - 22P	
104	1107 0629	Fuse - 15A 125V	
105	1107 0392	Fuse - 6.3A	
106	1104 0436	Connector - 1P	
107	1104 0351	Fuse Holder	
108	1405 0204	Triac - TM1641S-L	
109	1404 0126	Serge Absorber	
110	1403 0694	Photocoupler - PS2501-3	
111	1402 0452	Zener Diode - RD18FB	
112	1402 0317	Zener Diode - 3.3V	
113	1402 1019	Diode - RD24E	
114	1402 0456	Zener Diode - RD27FB2	
115	1402 1015	Diode - RBV-2506	
116	1402 0534	Diode - 10DF6	
117	1402 1017	Diode - EA21FC2	
118	1402 0517	Diode - 10DF2	
119	1402 0890	Diode - FML-32S	
120	1401 0822	Diode - 1SS137	
121	1401 0629	Diode - IS953	
122	1402 0699	Diode - FML22S	
123	1402 1018	Diode - SB30-09J	
124	1402 1016	Diode - FML-12S	
125	1607 0393	Ferrite Core	
126	1401 0853	Transistor - 2SK1017	
127	1401 0466	Transistor - 2SK725	
128	1400 0238	Transistor - 2SC2002	
129	1105 0356	Bushing	
130	1408 0888	IC - HH8090B03	
131	1408 0889	IC - HH8090B04	
132	1408 0622	IC - STR7101	
133	1408 0777	IC - SEO-24N	
134	1408 0674	IC - 1093J	
135	1408 0382	IC - 3122V	
136	1408 0831	IC - UPC78M12HF	
137	1408 0885	IC - UPC317HF	

Index No.	Part No.	Description	Qty per Assembly
138	1408 0620	IC - SI0820	
139	1004 0160	Insulating Sheet	
140	1004 0174	Insulating Sheet	
141	1607 0446	Coil	
142	1607 0486	Coil	
143	1607 0502	Coil	
144	1607 0445	Transformer - CT10V1-02	
145	1606 1767	Capacitor - 0.1uF 250V	
146	1606 1825	Capacitor - 0.22uF 250V	
147	1604 2244	Capacitor - 1500uF 200V ±20%	
148	1606 0828	Capacitor - 10000pF AC125V	
149	1605 0426	Capacitor - 1pF ±0.25%	
150	1606 1169	Capacitor - 1000pF ±10% AC400V	
151	1604 0912	Capacitor - 47uF ±20% DC35V	
152	1604 2318	Capacitor - 22uF 50V ±20%	
153	1606 1350	Capacitor - 0.047uF 50V	
154	1604 1362	Capacitor - 4.7uF 25V	
155	1604 1177	Capacitor - 100uF DC50V ±20%	
156	1606 1541	Capacitor - 0.22uF 50V ±10%	
157	1606 1346	Capacitor - 0.01uF	
158	1606 0930	Capacitor - 2200pF 500V	
159	1604 2319	Capacitor - 3300uF 35V ±20%	
160	1606 1836	Capacitor - 0.22uF ±10%	
161	1606 1694	Capacitor	
162	1604 2139	Capacitor - 2200uF 35V ±20%	
163	1606 1056	Capacitor - 0.1mF 50V	
164	1605 0607	Capacitor - 330pF 50V	
165	1604 1179	Capacitor - 10uF DC50V ±20%	
166	1604 1317	Capacitor - 220uF Dc10V	
167	1606 1016	Capacitor - 1000pF 500V	
168	1604 2335	Capacitor - 100uF 35V ±20%	
169	1604 1140	Capacitor - 220uF DC35V ±20%	
170	1604 2000	Capacitor - 100mF DC25V ±20%	
171	1606 1329	Capacitor - 330pF ±10% 50V	
172	1604 1180	Capacitor - 470uF DC35V ±20%	

Index No.	Part No.	Description	Qty per Assembly
173	1604 2215	Capacitor - 330uF 10V	
174	1604 1341	Capacitor - 1000uF 16V ±20%	
175	1601 7473	Resistor Fuse - 0.4A	
176	1611 4102	Resistor - 1K Ω 1/4T ±5%	
177	1611 6101	Resistor - 100 Ω 1/2T ±5%	
178	1600 0335	Resistor - 33k Ω ±5% 2W	
179	1611 6223	Resistor - 62k Ω 0.5W	
180	1611 6153	Resistor - 15k Ω 0.5W	
181	1600 1076	Resistor - 47k Ω 2W ±5%	
182	1601 1374	Resistor - 10Ω 0.5W 5%	
183	1611 6479	Resistor - 4.7k Ω 1/2T	
184	1600 1326	Resistor - 22Ω 3W ±5%	
185	1600 1115	Resistor - 0.05Ω 5W	
186	1611 4121	Resistor - 120 Ω 1/4T ±5%	
187	1611 4100	Resistor - 10 Ω 1/4W	
188	1611 4103	Resistor - 10k Ω 1/4T ±5%	
189	1611 4151	Resistor - 150 Ω 1/4T ±5%	
190	1611 4683	Resistor - 68k Ω 1/4T +5%	
191	1611 4822	Resistor - 8.2k Ω 1/4T ±5%	
192	1600 1228	Resistor - 10Ω 1W 5%	
193	1601 1387	Resistor - 10Ω 3W ±5%	
194	1611 4511	Resistor - 510 Ω 1/4T ±5%	
195	1600 1387	Resistor - 100 Ω ±5% 1W	
196	1611 4152	Resistor - 1.5k Ω 1/4T ±5%	
197	1622 6341	Resistor - 6.34k Ω 0.25W ±1%	
198	1622 9090	Resistor - 909 Ω ±1%	
199	1611 4101	Resistor - 100 Ω 1/4T ±5%	
200	1611 6100	Resistor - 10 Ω 1/2W	
201	1611 4222	Resistor - 2.2Kk Ω 1/4T ±5%	
202	1600 1133	Resistor - 240Ω 10W	
203	1611 4561	Resistor - 560 Ω 1/4T ±5%	
204	1622 4751	Resistor - 407k Ω 1/4W ±1%	
205	1622 2400	Resistor - 240Ω 0.25W ±1%	
206	1600 1498	Resistor - 220Ω 5W ±10%	
207	1601 8365	Resistor - 500Ω 0.5W	



47. DC DRIVE HARNESS (C210)

April 28, '91

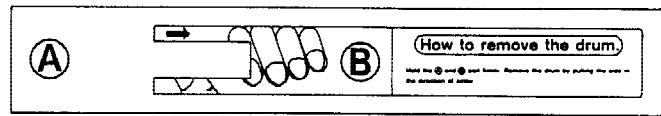
Index No.	Part No.	Description	Q'ty per Assembly
*	C210 8401	DC Drive Harness	1
101	1100 0875	Connector - 1P	
102	1100 1168	Fastening Receptacle	
103	1100 1169	Fastening Receptacle	
104	1100 1204	Socket - Mate-N-Lock	
105	1100 1205	Terminal	
106	1100 1206	Socket - Mate-N-Lock	
107	1100 1247	Terminal	
108	1100 1249	Receptacle Terminal	
109	1100 1328	Contact	
110	1100 1374	Terminal	
111	1100 1547	Ct Contact	
112	1102 0185	Connector - 4P	

Index No.	Part No.	Description	Q'ty per Assembly
113	1102 1426	Connector - 3P	
114	1102 1617	Receptacle Housing - 9P	
115	1102 1620	Connector - 3P	
116	1102 1691	Connector - 3P	
117	1102 1692	Connector - 2P	
118	1102 1749	Connector - 6P	
119	1102 1775	Receptacle Housing - 8P	
120	1102 1964	Connector - 2P	
121	1102 2962	Connector - 1P	
122	1102 3949	Connector - 14P	
123	1102 4213	Connector - 2P	
124	1102 4214	CT Receptacle - 3P	
125	1102 4215	Connector - 4P	
126	1102 4216	CT Receptacle 5P	
127	1102 4217	CT Receptacle 6P	
128	1102 4219	CT Receptacle - 8P	
129	1102 4220	CT Receptacle 9P	
130	1102 4223	CT Receptacle 12P	
131	1102 4224	CT Receptacle - 15P	
132	1102 4436	CT Connector - 2P	
133	1102 4452	CT Connector - 15P	
134	1102 4473	CT Connector - 2P	
135	1102 4559	Connector - 3P	
136	1102 4560	CT Connector 6P	
137	1102 4665	Connector - 3P	
138	1102 4669	Connector - 12P	
139	1102 4827	Connector - 26P	
140	1102 4829	Connector - 30P	
141	1102 4972	Connector - 13P	
142	1102 4974	Connector - 13P	
143	1102 5125	Connector - 7P	
144	1102 5195	Connector - 5P	
145	1102 5199	Connector - 22P	
146	1102 5200	Connector - 20P	
147	1102 5232	Connector - 15P	

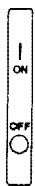
1



2



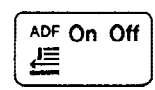
3



4



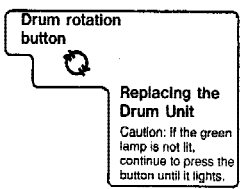
5



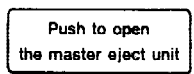
6



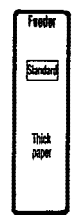
7



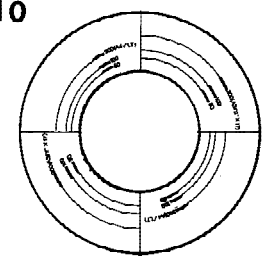
8



9

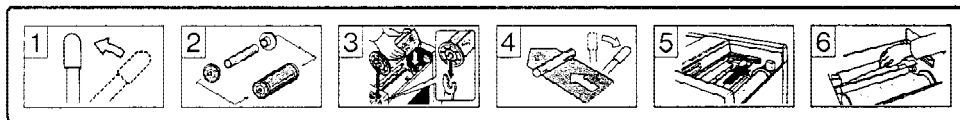
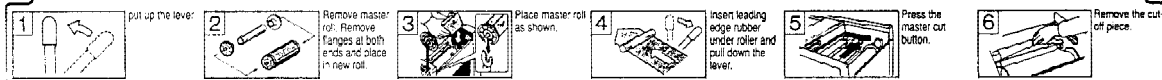


10



11

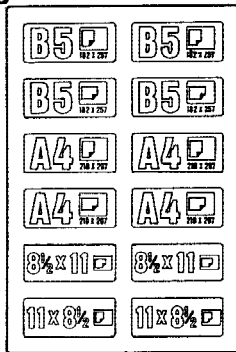
How To Change Master



12



13

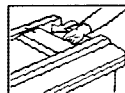
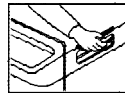


14

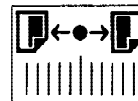
				A3
				B4
				DLT 11" x 17"
				Ledger 8½" x 14"
No.4	No.3	No.2	No.1	

15

How to Open and Close the original table.



16



17

Open carefully

23

Preparation for Printing and Scans to Transparencies


BASIC OPERATION GUIDE

Preparation for Printing and Scans to Transparencies

How to Operate

- Open the paper feed table and load paper
- Set the delivery table
- Switch On

Master Making



Place the original face down. The leading edge of the original must be toward the left side.


Choose the reduction/enlargement ratio.

Select number of copies required.

Press the master making key.

A print copy is printed.

Take the print to print



Press either of the image position keys.

Turn the side photo key clockwise.

To make a print copy, press the Print key.

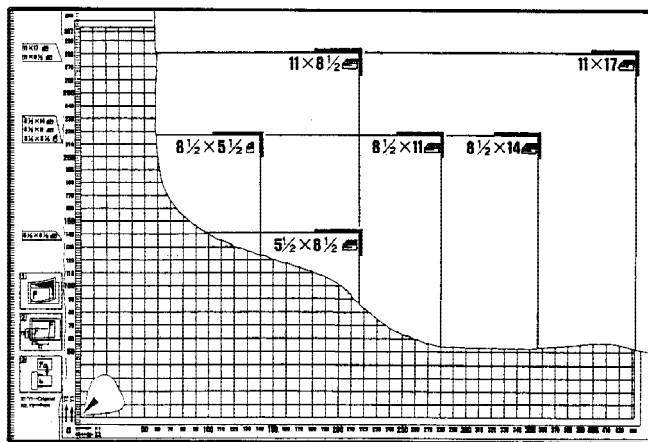
Press the print start key.

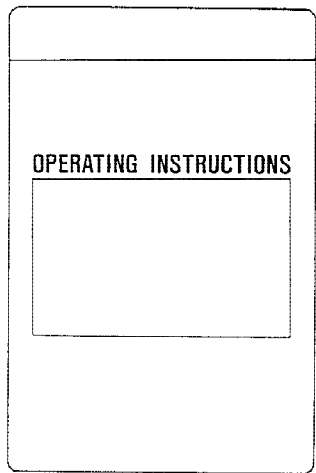
• The leading edge must have a blank area of at least 10 mm.

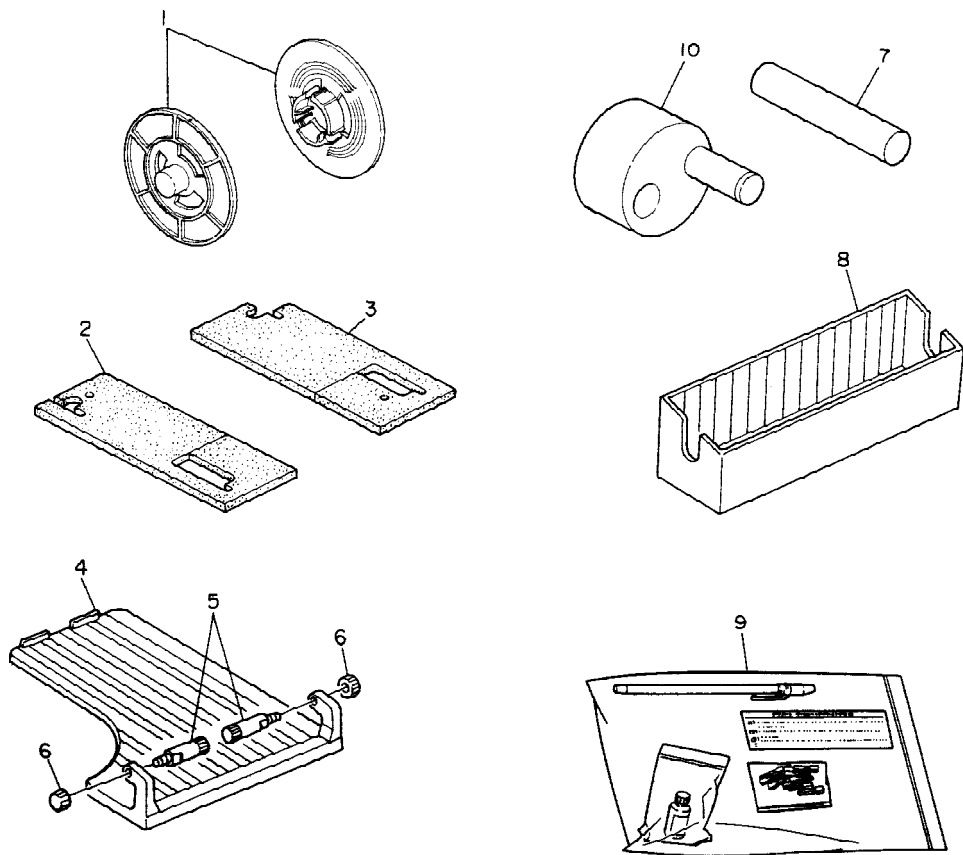
• Make sure that desired modes are selected before pressing the Master Making key for examples Reduction, Photo Mode and Density.

Original leading size: 10 mm

24







49. ACCESSORIES AND SPECIAL TOOLS (C210)

April 25, '91

Index No.	Part No.	Description	Q'ty per Assembly
1	C210 4230	Master Flange	2
2	C209 2553	Base Pad - Rear	1
3	C209 2551	Base Pad - Front	1
4	C209 3078	Original Exit Tray	1
5	C209 3080	Shaft - Original Exit Tray	2
6	C209 3079	Nut - Original Exit Tray	2
7	C200 9001	Drum Guage	1
8	C209 3558	Master Eject Box	1
9	C204 8721	Thermal Head Cleaner	1
10	C200 9002	Image Shifting Guage	1

Index No.	Part No.	Description	Q'ty per Assembly

PARTS INDEX

Part No.	Description	Paper and Index No.
C210 2091	Harness Cover	15-32
C210 2094	Bottom Harness Cover	13-21
C210 2171	Safety Switch Bracket - Master Box	83-17
C210 2177	Right Grip Cover	13-20
C210 2182	Safety Switch Bracket	83- 6
C210 2185	Safety Switch Cover	83-20
C210 2186	Right Cover Bracket	13- 3
C210 2190	Drum Safety Switch Bracket	83-15
C210 2409	Front Cover	11-14
C210 2444	Rear Cover	11-25
C210 2695	Operation Panel Ass'y	11-17
C210 2739	Left Cover - LT	11-12
C210 2766	Lever Cover - Paper Feed - A4	25- 5
C210 2779	Lever Cover - Paper Feed - LT	25- 5
C210 2787	Decal - Original Level - LT	113-19
C210 2789	Decal - Paper Table Down - LT	25- 6
C210 2789	Decal - Paper Table Down	113- 4
C210 2791	Decal - Paper Separator	29-24
C210 2791	Decal - Paper Separation	113-22
C210 2792	Decal - Table Down - A4	25- 6
C210 2793	Decal - Paper Feed Pressure	25- 7
C210 2793	Decal - Paper Feed Pressure	113- 9
C210 2794	Decal - Master Setting - LT	71- 2
C210 2794	Decal - Master Setting - LT	113-11
C210 2795	Decal - Thermal Head Cleaning	69-24
C210 2795	Decal - Thermal Head Cleaning	113-20
C210 2796	Decal - Master Set - A4	71- 2
C210 2796	Decal - Master Setting - A4	113-11
C210 2799	Decal - Original Table	57-10
C210 2799	Decal - Original Table	113-15
C210 2805	Decal - Paper Size - LT	21- 6
C210 2805	Decal - Paper Size - LT	113-18
C210 2806	Decal - Paper Size - A4	21- 6
C210 2806	Decal - Paper Size - A4	113-18
C210 2810	Decal - Master Flange	71-19

Part No.	Description	Paper and Index No.
C210 2810	Decal - Master Flange	113- 10
C210 2813	Decal - Replacing The Drum Unit	11-34
C210 2813	Decal - Replacing The Drum Unit	113- 7
C210 2814	Decal - Drum Replacing	11-33
C210 2814	Decal - Drum Replacing	113-21
C210 3090	Fluorescent Lamp Left Bracket	67-24
C210 3151	Safety Switch Actuator	65-11
C210 3194	Original Table Ass'y - LT	57- *
C210 3196	ADF Cover	59- 2
C210 3223	Right Cover - Fluorescent Lamp	65-21
C210 3229	Original Table Cover	57- 2
C210 3526	Master Eject Unit Frame	79- 7
C210 3710	Upper Inner Cover	81- 5
C210 4230	Master Flange	71-18
C210 4230	Master Flange	115- 1
C210 4232	Cutter Unit Cover - LT	71- 1
C210 4234	Cutter Unit Cover - A4	71- 1
C210 5005	Paper Entrance Plate	29-23
C210 5065	Paper Table Bottom Plate	21- 3
C210 6081	Exit Side Plate	41-10
C210 6262	Delivery Table	43-20
C210 8001	Image Processing Board	85-11
C210 8001	Image Processing Board	99- *
C210 8004	ROM - IC 033	85-14
C210 8004	ROM - IC 033	99- 3
C210 8005	ROM - IC 053	85-12
C210 8005	ROM - IC 053	99- 4
C210 8006	ROM - IC 054	85-13
C210 8006	ROM - IC 054	99- 5
C210 8060	Heat Sink	95- 1
C210 8064	AC Drive Board	83-10
C210 8064	AC Drive Board	95- *
C210 8155	Transformer - 220/240V	15-30
C210 8158	Transformer - 115V	15-30
C210 8301	Power Supply Unit	41- 7

Part No.	Description	Paper and Index No.
C210 8301	Power Supply Unit	107- *
C210 8305	Thermostat	107- 1
C210 8310	Heat Sink - 2	107- 6
C210 8315	Transformer - T1	107- 14
C210 8316	Transformer - T2	107-15
C210 8322	Sealding Plate	107- 18
C210 8401	AC Drive Harness	13- 15
C210 8401	DC Drive Harness	109- *
C210 8412	Power Supply Cord - LT	83- 4
C210 8425	AC Drive Harness	13- 14
C210 8429	Power Supply Cord - A4	83- 4
C210 8439	Safety Switch - 220/240V	15- 27
C210 8625	Main Board - A4	85- 23
C210 8625	Main Board - A4	93- *
C210 8626	IC - 122-HN27C512G-17	85- 8
C210 8626	IC - 122-HN27C512G-17	93- 1
C210 8698	Operating Instructions - Make-up - A4	113- 25
C210 8725	Operation Instructing Sheet	113- 23
C210 8732	Make-up Instructing Sheet	113- 23
C210 8735	Editing Sheet - LT	113- 24
C210 8736	Editing Sheet - A4	113- 24

Part No.	Description	Paper and Index No.
AA00 2010	Decal - Paper Level	87- 5
AA00 2010	Decal - Paper Level	113- 6
AA06 3016	Pressure Spring	15- 28
AW02 0021	Photointerruptor	83- 1
A000 5507	Lift Motor - DC 1.69W	19- 2
A006 1352	Key Counter Cover	11- 8
A012 5226	IC - TC19G060AF0027	99- 1
A024 1368	Left Cover Cap - Sorter	11- 26
A030 1339	Plate Nut - Key Counter	11- 10
A037 5222	IC - TC23SC100AF-503	99- 2
C200 2205	Bracket - Drum Rotation Sensor	27- 20
C200 2217	Collar	17- 22
C200 2221	Collar - Pressure Cam Shaft	17- 7
C200 2224	Plate Nut - Print Pressure Cam	17- 9
C200 2225	Pressure Cam Shaft	17- 8
C200 2232	Drive Shaft	17- 28
C200 2248	Fixing Plate	17- 4
C200 2266	Bearing Holder	19- 21
C200 2267	Spacer	17- 21
C200 2302	Image Shifting Arm - Large	19- 16
C200 2308	Image Shifting Arm - Small	19- 19
C200 2311	Image Shifting Link	19- 17
C200 2338	Gear - 20T	75- 1
C200 2596	Main Board Stud - Long	85- 21*
C200 3006	Stopper	65- 10
C200 3031	Coupled Pulley - 20T & 48T	63- 7
C200 3032	Pulley - 20T	65- 1
C200 3036	Timing Belt - 100XL	63- 8
C200 3048	Pressure Arm	61- 6
C200 3053	Magnet Catch	87- 12
C200 3072	Reaf Spring	67- 10
C200 3082	Scanner Unit Shaft	67- 11
C200 3086	Scanner Unit Mirror	67- 9
C200 3106	Lock Spring	65- 13
C200 3114	Sensor Actuator	63- 14

Part No.	Description	Paper and Index No.
C200 3115	Shoulder Screw - Sensor Actuator	59-26
C200 3115	Shoulder Screw - Sensor Actuator	63-13
C200 3123	Support Plate - Safety Switch	83- 7
C200 3508	Master Eject Stay - Small	79-14
C200 3529	Pulley Plate	77-22
C200 3545	Upper Belt	77-28
C200 3546	Lower Belt	77-29
C200 3547	Pulley	77-21
C200 3553	Solenoid Bracket	77-15
C200 3554	Solenoid Arm	77-16
C200 3606	Coupled Gear - 62T & 20T	77- 3
C200 3627	Gear - 30T	77- 2
C200 3628	Gear - 20T	77- 6
C200 3629	Gear - 20T	55-26
C200 3712	Pulley	79- 5
C200 3716	Cushion Shaft	15-20
C200 3755	Plate Spring	83-16
C200 3755	Plate Spring	85-18
C200 3953	Middle Lever	41-17
C200 3954	Lower Lever	41-20
C200 3956	Middle Lever Spring	41-18
C200 3957	Lower Lever Spring	41-21
C200 4116	Sensor Spring	69-28
C200 4184	Tension Spring	73-15
C200 4520	Lock Pin - Drum	15-10
C200 4528	Plate Spring - Drum Rail	15-18
C200 4551	Slide Guide	33- 2
C200 4553	Slide Shaft	33- 1
C200 4561	Clamper Spring	33- 4
C200 4625	Drum Rail	51- 7
C200 4627	Drum Rail Shaft	51-18
C200 4631	Left Arm - Drum Lock	49-12
C200 4632	Right Arm - Drum Lock	49-15
C200 4633	Drum Lock Shaft - Long	49-13*
C200 4635	Drum Lock Spring - Right	49-14

Part No.	Description	Paper and Index No.
C200 4638	Drum Lock Shaft - Small	49-20
C200 4653	Drum Shaft Bracket	51-17
C200 4653	Drum Shaft Bracket	53- 5
C200 4653	Drum Shaft Bracket	55-10
C200 4723	Adjusting Plate - Doctor Roller	55- 2
C200 4733	Ink Detector Bracket	55-19
C200 4748	Gear - 45T	55-27
C200 4763	Sponge - Bank Plate	55-29
C200 4810	Ink Antechamber	47-20*
C200 4814	Bushing - 6x10x55mm	47- 4
C200 4826	Pump Rubber	47-25
C200 4861	Pump Clutch Sleeve	47-13
C200 4862	Ink Stopper	47-10
C200 4864	Bracket - Ink Supply Solenoid	47- 7
C200 4914	Drum Stopper Spring	47- 3
C200 4924	Right Shaft - Ink Holder	47-30
C200 4926	Ink Holder Cam	47-17
C200 4942	Pinion - 9T	53-26
C200 4944	Sector Gear - 9T	53- 8
C200 4945	Sector Gear Spring	53-10
C200 4946	Clamper Sector Shaft	53- 7
C200 5025	Paper Feed Plate Shield	21- 4
C200 5038	Screw Collar	21- 5
C200 5042	Rear Shaft - Paper Feed	23-28
C200 5096	Worm Wheel Gear - 18T	27-22
C200 5118	Release Spring	49- 4
C200 5137	Left Bracket - Guide Plate	31-14
C200 5138	Right Bracket - Guide Plate	31-17
C200 5150	Bushing - 7x18x9mm	31- 3
C200 5153	Bushing Supporter	31- 1
C200 5154	Left Spring Arm	31- 7
C200 5155	Right Spring Arm	31- 8
C200 5190	Paper Feed Sector Cam	33-25
C200 5205	Paper Feed Spring	33-26
C200 5207	Sectorgear Stud	33-23

Part No.	Description	Paper and Index No.
C200 5222	Sector Spring	19- 24
C200 5222	Sector Spring	33- 29
C200 5223	Lift Cam	19- 11
C200 5225	Bracket - Paper Feed Solenoid	33- 16
C200 5226	Link - Paper Feed Solenoid	33- 13
C200 5235	Paper Feed Solenoid Spring	33- 14
C200 5238	Sector Stopper - Feed Roller	33- 21
C200 5239	Feed Sector Stopper	33- 20
C200 5250	Second Feed Roller Cam	19- 14
C200 5287	Rubber Plate - Paper Feed	23- 5
C200 5335	Side Plate Slider	23- 22
C200 5340	Upper Feed Roller	31- 9
C200 5503	Paper Detecting Shaft	31- 22
C200 5504	Paper Detecting Pin	31- 21
C200 5526	Print Pressure Bushing	35- 2
C200 5541	Print Pressure Arm	35- 16
C200 5557	Rear Guide Plate	35- 6
C200 5565	Print Pressure Stopper	33- 11
C200 5566	Pressure On/Off Lever	35- 15
C200 6004	Exit Pawl Lever	45- 25
C200 6059	Pulley - 25T	45- 27
C200 6135	Antistatic Brush	41- 9
C200 6135	Antistatic Brush	59- 9
C200 8116	Ink Detecting Board	33- 8
C200 8446	Copy Counter	85- 1
C200 9001	Drum Gauge	115- 7
C200 9002	Image Shifting Gauge	115- 10
C201 2211	Stud	19- 10
C201 2217	Gear - 50T	17- 6
C201 2221	Gear - 40T	19- 8
C201 2222	Coupled Gear - 20T & 60T	19- 9
C201 2226	Gear - 22T	19- 18
C201 2228	Feed Cam Shaft	19- 12
C201 2229	Gear - 50T	19- 15
C201 2425	Adjusting Lever	25- 8

Part No.	Description	Paper and Index No.
C201 2543	Decal - Drum Caution	51- 2
C201 2543	Decal - Drum Caution	113- 2
C201 3011	Gear - 16T	57- 13
C201 3067	Platen Plate	61- 1
C201 3068	First Original Feed Roller	63- 15
C201 3069	Expoure Glass	67- 19
C201 3070	Scanner Frame Spring	67- 13
C201 3074	Sensor Holder - Rear	63- 37
C201 3075	Scanner Stay	67- 14
C201 3077	Fixing Ring - 8x16x7mm	67- 12
C201 3527	Pressure Spring	77- 25
C201 3529	Lower Pulley Shaft	77- 19
C201 4067	Pump Clutch Collar	47- 14
C201 4531	Drum Stopper Pawl	15- 3
C201 4532	Drum Stopper Roller	15- 4
C201 4533	Drum Stopper Spring	15- 2
C201 4561	Drum Clamper Roller	33- 32
C201 4604	Drum Rail Roller	15- 6
C201 4604	Drum Rail Roller	51- 10
C201 4606	Stopper Releasing Plate	51- 6
C201 4609	Stopper Relasing Lever	51- 5
C201 4610	Drum Slider Spring	51- 9
C201 4613	Drum Rail Cover	51- 4
C201 4636	Drum Unit Handle	49- 23
C201 4639	Ink Holder Handle	47- 28
C201 4665	Bearing Holder	55- 5
C201 4676	Clutch Spring	47- 12
C201 4679	Ink Pump Slider	47- 21
C201 4682	Ink Cartridge Spring	47- 29
C201 5015	Seal - M10	23- 6
C201 5040	Actuator - Table Lower Limit Switch	23- 1
C201 5045	Rear Gear Support	27- 21
C201 5046	Front Gear Support	27- 23
C201 5051	Pinion - 24T	27- 17
C201 5073	Arm Balancer - Feed Roller	25- 21

Part No.	Description	Paper and Index No.
C201 5075	Guide Plate Bracket	29- 1
C201 5090	Separation Roller Pressure Stud	27- 5
C201 5101	Link	33- 19
C201 5110	Paper Feed Cam	19- 13
C201 5125	Shoulder Screw - M4	23- 32
C201 5125	Shoulder Screw - M4	31- 2
C201 5134	Bearing Holder	31- 4
C201 5142	Lift Arm - Feed Roller	31- 23
C201 5145	Lift Arm Spring	31- 24
C201 5505	Height Sensor Bracket	31- 28
C201 6080	Pulley - 16T	37- 6
C202 2430	Decal - ADF ON/OFF	59- 28
C202 2430	Decal - ADF ON/OFF	113- 5
C202 3013	Spacer - 8x16x7mm	63- 36
C202 3014	Separation Roller	63- 18
C202 3017	Pick-up Roller Shaft	63- 26
C202 3019	Gear - 66T	63- 35
C202 3021	Sensor Stay	63- 11
C202 3026	Sensor Bracket	63- 32
C202 3031	Gear Cover	63- 31
C202 3032	Gear Casing	63- 28
C202 3034	Coupled Gear - 16/60T	63- 30
C202 3035	Coupled Gear - 15T/60T	63- 29
C202 3036	Motor - DC 1.69W	63- 27
C202 3057	ADF Pawl	59- 3
C202 3059	Hook Spring	59- 5
C202 3061	Left Hook	59- 16
C202 3062	Right Hook	59- 4
C202 3066	Shoulder Screw - M3	61- 18
C202 3067	Sensor Bracket	61- 11
C202 3071	Solenoid Link	59- 6
C202 3072	Solenoid Bracket	59- 8
C202 3075	Sensor Feeler	59- 24
C202 3076	Pressure Arm	59- 17
C202 3081	Blade Holder	61- 19

Part No.	Description	Paper and Index No.
C202 3092	Platen Plate Supporter	59- 10
C202 3094	Press Roller Spring	61- 7
C202 3098	Spacer - ADF	61- 20
C202 3111	Feed Roller - Left	65- 3
C202 3115	Separation Blade	61- 21
C202 3121	Mylar Supporter	59- 22
C202 3121	Mylar Supporter	61- 15
C202 3122	Pressure Mylar	59- 23
C202 3147	Spacer - ADF Cam	59- 13
C202 8085	ADF Harness	61- 12
C202 8090	Original Pressure Solenoid	59- 7
C203 2018	Transformer Bracket	15- 31
C203 2031	Main Board Spacer	85- 9
C203 2072	Feed Cam Shaft	19- 23
C203 2073	Stopper Stud - Paper Feed	33- 17
C203 2075	Feed Gear Stopper Shaft	33- 18
C203 2091	Front Shaft	13- 10
C203 2092	Roller - Front Shaft	13- 9
C203 2096	Bottom Stay Nut	13- 16
C203 2114	Bracket	83- 18
C203 2128	AC Drive Board Cover	83- 19
C203 2128	AC Drive Board Cover	85- 24
C203 2215	Gear - 18T	17- 18
C203 2309	Pulse Disk	27- 19
C203 2311	Gear Flange	17- 19
C203 2312	Pulley	17- 11
C203 2315	Tension Shaft	17- 15
C203 2316	Timing Belt	17- 12
C203 2317	Pullet - 26T	17- 5
C203 2318	Reinforcement Plate	19- 22
C203 2326	Gear - 90Z	17- 14
C203 2327	Pulley Flange	17- 13
C203 2453	Decal - Paper Feed Table	21- 13
C203 2453	Decal - Paper Feed Table	113- 16
C203 2731	Decal - Master Eject Open	65- 22

Part No.	Description	Paper and Index No.
C203 2731	Decal - Master Eject Open	113- 8
C203 2735	Decal - Open Carefully	59- 27
C203 2735	Decal - Open Carefully	113- 17
C203 2758	Rear Cover Cap	11- 27
C203 2759	Master Cutter Decal	83- 14
C203 2759	Master Cutter Decal	113- 1
C203 3027	Shoulder Screw - M4	59- 14
C203 3036	Sensor Stay	63- 12
C203 3041	Pulley - 15T	63- 2
C203 3042	Timing Belt - 128MXL	63- 6
C203 3043	Motor Plate	63- 3
C203 3043	Motor Plate	71- 20
C203 3047	Stopper Stud	15- 22
C203 3052	Shielding Plate	67- 8
C203 3054	Lens - F4/43	67- 4
C203 3057	Shading Plate	67- 7
C203 3058	Left Mirror Supporter	67- 22
C203 3059	Right Mirror Supporter	67- 21
C203 3060	Left Mirror Holder	67- 23
C203 3061	Right Mirror Holder	67- 20
C203 3065	Guide Plate	63- 34
C203 3085	Gear Cover	63- 9
C203 3091	Right Bracket	67- 16
C203 3504	Hinge Shaft	81- 1
C203 3511	Arm - Master Eject Box	81- 7
C203 4013	Brake Plate	69- 21
C203 4038	Master Guide - Large	73- 17
C203 4060	Tension Release Slider	73- 6
C203 4505	Drum Stopper Ass'y	15- 1
C203 4511	Spring Plate Supporter	15- 15
C203 4512	Grounding Spring Plate	15- 16
C203 4543	Ink Detector	55- 17
C203 5007	Paper Feed Lever	25- 2
C203 5013	Lever Supporter	25- 10
C203 5020	Spring - Feed Roller Pressure	25- 14

Part No.	Description	Paper and Index No.
C203 5027	Adjusting Plate	25- 16
C203 5043	Pick-up Roller Shaft	25- 36
C203 5045	Bushing - 18x24x28mm	25- 12
C203 5046	Bushing - 14x20x9mm	25- 37
C203 5049	Front Bushing Stud	25- 41
C203 5050	Rear Bushing Stud	25- 40
C203 5055	Actuator - Paper Feed Table	25- 19
C203 5062	Left Arm - Separation	27- 4
C203 5066	Right Arm - Separation	27- 9
C203 5105	Supporter	23- 27
C203 5113	Bushing - 6x9x3mm	23- 19
C203 5113	Bushing - 6x9x3mm	25- 17
C203 5113	Bushing - 6x9x3mm	29- 3
C203 5114	Bushing - 3x6x3mm	23- 21
C203 5116	Washer - 6x13x12mm	23- 20
C203 5121	Bushing - 8x12x9mm	23- 15
C203 5122	Front Shaft - Paper Feed	23- 29
C203 5126	Right Rack - Paper Feed	23- 34
C203 5128	Left Rack - Paper Feed	23- 14
C203 5128	Left Rack - Paper Feed	23- 14
C203 5131	Gear Cover	23- 35
C203 5133	Paper Feed Table Shaft	27- 18
C203 5135	Bushing - 10x14x5.9	27- 1
C203 5138	Worm Gear	83- 12
C203 5140	Motor Bracket	83- 13
C203 5142	Rack Shaft	23- 12
C203 5175	Sector Gear	33- 27
C203 5180	Sector Gear Stoper	33- 30
C203 5184	Sector Gear	19- 25
C203 5191	Sector Gear Stopper	19- 1
C203 5194	Shoulder Screw - M4	33- 24
C203 5198	Feed Roller Brake Ass'y	31- 19
C203 5200	Tension Roller	25- 26
C203 5201	Tension Arm	25- 25
C203 5205	Belt Tensioner Ass'y	25- 22

Part No.	Description	Paper and Index No.
C203 5208	Tension Bracket	25-23
C203 5215	Tension Spring	25-24
C203 5225	Spacer - 8x11x1	25-43
C203 6004	Pawl Cam	35-11
C203 6035	Magnet Plate	39-10
C203 6046	Link - Wing	39- 4
C203 6047	Rubber Washer	39- 3
C203 6065	Pulley Flange	37- 5
C203 8014	Radiation Fin	101- 1
C203 8022	CCD Board	67- 2
C203 8086	ADF Relay Harness	63-33
C203 8095	Upper Harness Supporter	83- 5
C203 8101	Fluorescent Lamp - 59V	67-27
C203 8102	Right Socket - Fluorescent Lamp	67-17
C203 8103	Left Socket - Fluorescent Lamp	67-25
C203 8104	Fluorescent Lamp Stabilizer	67-15
C203 8105	Fluorescent Lamp Heater	67-26
C203 8106	Fluorescent Lamp Harness	63-17
C203 8137	Master Sensor	73-13
C203 8204	Grounding Wier	81- 15
C204 2754	Decal - Drum Caution - 5 Language	113- 2
C204 2756	Decal - Drum Caution - 5 Language	51- 2
C204 3038	Spring Arm	65-14
C204 8721	Thermal Head Cleaner	115- 9
C207 2209	Pulley - 60Z	17-20
C207 2210	Timing Belt - 100S4.5M297	17-24
C207 2211	Bearing Stopper	17-25
C207 3094	Press Roller Spring	61- 8
C207 3095	Adjusting Plate	61- 9
C207 3530	Upper Pulley Shaft	77-20
C207 3531	Pulley Guide	79-10
C207 3604	Pulley - 40Z	77- 5
C207 3612	Timing Belt - B30S2M126	77- 4
C207 4518	Drum Sensor Cover	15-11
C207 4554	Solenoid Lever	33- 3

Part No.	Description	Paper and Index No.
C207 4555	Rubber Seal - 8x14x2	33- 5
C207 4611	Front Stopper Guide	51- 3
C207 4612	Rear Roller Guide	51- 1
C207 4670	Gear - 24Z	55- 4
C207 4672	Gear - 36Z	55- 3
C207 4745	Front Drum Blade	55-25
C207 4746	Rear Drum Blade	55- 6
C207 4765	Front Bank Plate	55-21
C207 4766	Rear Bank Plate	55- 8
C207 5008	Pressure Plate	29-17
C207 5009	Pressure Plate Holder	29-16
C207 5010	Adjusting Screw	29-19
C207 5011	Adjusting Plate	29-18
C207 5012	Pressure Spring	29-20
C207 5013	Pressure Spring - Paper Feed	29-15
C207 5020	Upper Roller Shaft	25-32
C207 5023	Separator Roller Ass'y	25-30
C207 5070	Separation Roller Pressure Spring	27- 6
C207 5120	Position Indicator	23-33
C207 5123	Upper Guide Plate	31-12
C207 5125	Guide Plate Spacer	31-13
C207 5138	Upper Feed Roller Ass'y	31- 6
C207 5148	Upper Feed Roller	31-10
C207 6125	Guide Plate Spring	77-13
C209 2004	Bottom Stay	13-11
C209 2027	Lever Bracket - Paper Feed	25-11
C209 2034	Sensor Bracket	31- 5
C209 2050	Front Stay	13-12
C209 2052	Left Fixing Plate	15- 7
C209 2056	Right Fixing Plate	15- 5
C209 2061	left Grip - paper Feed	13- 6
C209 2062	Left Grip Cover	13- 7
C209 2080	Solenoid Bracket	33- 7
C209 2105	Right Grip - Paper Delivery	83- 3
C209 2107	Left Grip - Paper Delivery	13- 4

Part No.	Description	Paper and Index No.
C209 2109	Key Counter Bracket	41- 31
C209 2110	Drive Support Shaft	15- 23
C209 2111	Shaft	13- 13
C209 2120	IP Board Bracket	13- 8
C209 2150	Rear Right Grip - Paper Feed	13- 18
C209 2160	Upper Lever	41- 22
C209 2164	2ND Left Side Plate	41- 23
C209 2169	Harness Bracket	83- 9
C209 2207	Pulley - 12Z	17- 23
C209 2214	Gear - 40Z	17- 16
C209 2216	Driver Shaft	17- 17
C209 2218	Drum Drive Gear/Pulley	17- 2
C209 2220	Support Gear - 30Z	17- 3
C209 2304	Support Side Plate	19- 20
C209 2306	Drum Sensor Bracket	83- 2
C209 2308	Support Bracket - Rear Cover	17- 27
C209 2309	Support Side Plate	17- 26
C209 2321	Bracket - Image Shifting	19- 7
C209 2325	Motor Bracket	19- 3
C209 2330	Drum Drive Gear/Pulley Ass'y	17- 1
C209 2402	Right Bracket - Operation Panel	11- 35
C209 2403	Middle Bracket - Operation Panel	11- 36
C209 2404	Left Bracket - Operation Panel	11- 37
C209 2405	Lower Cover - Operation Panel	11- 18
C209 2408	Rear Cover - Operation Panel	11- 19
C209 2411	Right Cover Support Bracket	11- 13
C209 2413	Right Cover Bracket	13- 5
C209 2418	Push Switch Bracket	85- 7
C209 2419	Safety Switch Bracket	85- 19
C209 2423	Paper Feed Table Cover	21- 8
C209 2424	Front Door	11- 1
C209 2428	Magnet Catch Plate	11- 6
C209 2429	Support Bracket - Paper Feed Cover	15- 29
C209 2432	Upper Hinge Bracket	11- 7
C209 2435	Lower Hinge Bracket	11- 9

Part No.	Description	Paper and Index No.
C209 2439	Rear Bracket	13- 19
C209 2441	Rear Middle Bracket	13- 17
C209 2450	Paper Feed Cover	11- 32
C209 2455	Door - Master Eject	81- 10
C209 2460	Master Eject Cover	81- 9
C209 2464	Main Switch Cover	11- 16
C209 2469	Door Catch	11- 5
C209 2469	Door Catch	85- 6
C209 2470	Left Cover Cap	11- 11
C209 2502	Decal - Main Switch	11- 15
C209 2502	Decal - Main Switch	113- 3
C209 2504	Decal - Original Level	57- 4
C209 2504	Decal - Original Level - A4	113- 19
C209 2511	Decal - ADF Cover	59- 1
C209 2511	Decal - ADF Cover	113- 12
C209 2551	Base Pad - Front	115- 3
C209 2553	Base Pad - Rear	115- 2
C209 2558	Upper Pad - Front Door	11- 2
C209 2559	Lower Pad - Front Door	11- 4
C209 2560	Side Pad - Front Door	11- 3
C209 2564	Rear Upper Cover	11- 20
C209 2565	Left Pad - Rear Upper Cover	11- 21
C209 2566	Middle Left Pad - Upper Cover	11- 22
C209 2567	Right Middle Pad - Rear upper Cover	11- 23
C209 2568	Right Pad - Rear Upper Cover	11- 24
C209 2572	Upper Pad - Rear Cover	11- 29
C209 2573	Lower Pad - Rear Cover	11- 31
C209 2574	Side Pad - Rear Cover	11- 30
C209 2575	Large Pad - Rear Cover	11- 28
C209 2579	Lower Pad - Master Eject Box	79- 8
C209 2580	Right Pad - Master Eject Box	79- 11
C209 2581	Left Pad - Master Eject Box	79- 9
C209 2585	Plotter Base Pad - Small	69- 12
C209 2586	Plotter Lower Cover	69- 19
C209 2587	Pad - Plotter Lower Cover	69- 20

Part No.	Description	Paper and Index No.
C209 2599	Lower Pad	69- 11
C209 3003	Left Original Guide	57- 6
C209 3004	Right Original Guide	57- 5
C209 3008	Rail Guide Roller	65- 6
C209 3010	Slider Rail	13- 1
C209 3011	Lower Cover - Scanner	65-20
C209 3021	Edging	13- 2
C209 3022	Right Hinge - Original Table Cover	57- 8
C209 3026	Upper Hinge - Original Table Cover	57- 9
C209 3028	Side Fence Gear	57-16
C209 3032	SADF Lever	59-18
C209 3033	ADF Release Arm	59-20
C209 3036	Inner Cover - Original Table	57- 3
C209 3038	Scanner Support Stay	65-15
C209 3040	Scanner Grip	65-17
C209 3041	Scanner Grip Bracket	65-16
C209 3042	Scanner Lock Shaft	65-12
C209 3045	Slider Stopper	15-14
C209 3046	Stud - M5	65- 9
C209 3053	Lens Holder	67- 3
C209 3055	Pick-Up Roller Bracket	63-22
C209 3057	Left Hinge - Original Table Cover	57- 1
C209 3058	Shielding Plate - Sensor	57-17
C209 3060	Scanner Sensor Bracket	63-39
C209 3064	Pressure Spring	61-14
C209 3065	Original Pressure Roller	61- 5
C209 3066	Original Guide	61- 2
C209 3068	Cover Bracket - Fluorescent Lamp	65- 5
C209 3069	Cover Support Bracket	65- 7
C209 3070	Stay - Original Exit Tray	65- 4
C209 3072	Shaft Bracket	59-19
C209 3073	Arm Shaft	59-21
C209 3074	Pressure Shaft - Mylar	59-25
C209 3077	Left Cover - Fluorescent Lamp	65- 8
C209 3078	Original Exit Tray	115- 4

Part No.	Description	Paper and Index No.
C209 3079	Nut - Original Exit Tray	115- 6
C209 3080	Shaft - Original Exit Tray	115- 5
C209 3081	Optics Unit Base	67-18
C209 3085	Separation Bracket	61-10
C209 3093	Slider Seal	57-11
C209 3095	Right Mylar	57- 7
C209 3109	Separation guide Plate	61- 3
C209 3110	Flat Cable - Master Processing - 620mm	67- 6
C209 3111	Tension Roller	63-10
C209 3120	Right Mylar	61-16
C209 3121	Left Mylar	61-17
C209 3124	Flat Cable Cover	15- 8
C209 3125	Support Plate - Flat Cable	15- 9
C209 3125	Support Plate - Flat Cable	65-18
C209 3126	Left Seal	65-19
C209 3127	Transport roller	61- 4
C209 3133	retaining Ring - M6	63-16
C209 3135	Separation Roller shaft	63-21
C209 3141	Stopper - Scanner Unit	59-15
C209 3148	ADF Cam	59-12
C209 3507	Master Eject Sensor Cover	79- 6
C209 3516	Master Eject Stay	77- 8
C209 3519	Support Bracket - Eject Roller	77-24
C209 3520	Separation Roller Bushing	77-26
C209 3521	Arm Connecting Shaft	77-36
C209 3522	1ST Upper Eject Roller	77-27
C209 3524	1ST Lower Eject Roller	77-30
C209 3529	Sensor Bracket - Master Eject	77-10
C209 3530	Sensor Cover - Master Eject	77- 9
C209 3531	Pressure Plate	79-15
C209 3532	Pressure Plate Shaft	79-16
C209 3533	Pressure Plate Arm	79- 3
C209 3536	Pulley	79- 2
C209 3537	wire Spring	79- 4
C209 3539	Pressure Arm Shaft	79-13

Part No.	Description	Paper and Index No.
C209 3540	Front Pressure Arm	79- 19
C209 3543	Rear Pressure Arm	79- 1
C209 3545	Gear - 62Z	77- 1
C209 3550	Worm Gear - 16/50Z	77- 31
C209 3551	Gear - 16/116Z	77- 32
C209 3554	Gear - 60Z	79- 18
C209 3557	Bracket	77- 33
C209 3558	Master Eject Box	81- 6
C209 3558	Master Eject Box	115- 8
C209 3571	Blower Duct	81- 13
C209 3574	Blower Fan Bracket	81- 11
C209 3592	Worm Wheel	77- 35
C209 3615	Spacer - 6x12x3	79- 20
C209 3642	Master Eject Stay - Large	79- 12
C209 3643	Lock Stay	79- 17
C209 3661	Solenoid Plate	77- 14
C209 3671	Master Eject Hinge	81- 2
C209 3673	Inner Cover - Master Eject	81- 14
C209 3675	Cover Bracket	81- 4
C209 3680	Master Eject Hinge - Small	81- 3
C209 4018	Plotter Stay	73- 7
C209 4019	Plotter Middle Stay	75- 17
C209 4021	Master Roller Cacher	69- 22
C209 4025	Master Roller Holder	71- 17
C209 4027	Master End Sencor Bracket	69- 29
C209 4030	Thermal Head Base	69- 5
C209 4033	Thermal Head Spring	69- 7
C209 4035	Thermal Head Spacer	69- 4
C209 4037	Guide Plate - Thermal Head	69- 2
C209 4040	Left Adjusting Plate	69- 9
C209 4047	Platen Roller	71- 12
C209 4049	Gear - 48Z	71- 14
C209 4055	Thermal Head Cover	69- 25
C209 4059	Lever Knob	39- 9
C209 4059	Lever Knob	69- 10

Part No.	Description	Paper and Index No.
C209 4060	Platen Release Lever	69- 32
C209 4063	Lever Shaft	69- 31
C209 4065	Cutter Unit	71- 3
C209 4068	Master Guide Plate	73- 21
C209 4070	Upper Master Feed Roller	73- 14
C209 4071	Gear - 25Z	73- 3
C209 4072	Gear - 24Z	73- 24
C209 4074	Lower Master Feed Roller	73- 16
C209 4075	Left Arm - Tension Release	73- 8
C209 4076	Tension Release Arm	73- 10
C209 4082	Tension Release Shaft	73- 9
C209 4084	Upper Master Guide Plate	73- 12
C209 4087	Guide Plate Roller	73- 11
C209 4089	Lower Master Guide Plate	73- 18
C209 4093	Reverse Guide	73- 20
C209 4100	Upper Reverse Roller	75- 14
C209 4105	Lower Reverse Roller	75- 16
C209 4110	Gear - 17Z	71- 22
C209 4111	Gear - 16/54Z	71- 4
C209 4112	Timing Belt - 100MXL - 9.5	71- 5
C209 4114	Gear - 20/27Z	75- 19
C209 4115	Gear - 30Z	73- 2
C209 4116	Spacer - 6x36x0.3	73- 1
C209 4125	Left Connector Bracket	75- 7
C209 4126	Right Connector Bracket	69- 26
C209 4128	Harness Bracket	75- 5
C209 4133	Plotter Base	69- 18
C209 4136	Spring Roller	69- 8
C209 4139	Spring Plate	69- 6
C209 4160	Left Holder - Platen Roller	71- 6
C209 4165	Right Holder - Platen Roller	71- 16
C209 4167	Left Stopper - Platen Roller	71- 9
C209 4170	Right Stopper - Platen Roller	71- 15
C209 4172	Platen Roller Arm	71- 13
C209 4173	Wave Washer - M5	69- 27

Part No.	Description	Paper and Index No.
C209 4173	Wave Washer - M5	71- 11
C209 4177	Stopper Knob - Platen Roller	71- 8
C209 4180	Thermal Head Spacer	69- 3
C209 4180	Thermal Head Spacer	71- 10
C209 4181	Spring	71- 7
C209 4190	Stud	15-21
C209 4300	Counter Roller	75-12
C209 4303	Gear - 27Z	75- 3
C209 4305	Gear - 16Z	75- 2
C209 4306	Master Guide	75- 9
C209 4307	Reverse Guide Plate	75-10
C209 4320	Antistatic Brush	73-22
C209 4321	Antistatic Brush	73- 19
C209 4325	Spring	73-23
C209 4502	Drum Rail Stay	15-17
C209 4516	Slide Guide - Drive Shaft	33-31
C209 4517	Drum Sensor Bracket	15-13
C209 4529	Drum Stopper	47- 2
C209 4531	Drum Shaft	53-16
C209 4540	Screen Plate Spring	53-23
C209 4550	Black Seal - 40x50	53-20
C209 4560	Rear Drum Frame	53- 14
C209 4566	Drum Lock Shaft	49- 3
C209 4567	Left Arm - Drum Lock	49- 5
C209 4568	Solenoid Bracket - Drum Lock	49- 7
C209 4613	Rear Side Plate - Drum	53- 3
C209 4616	Side Plate Cover - Drum	49- 1
C209 4617	Lower Cover - Drum Side Plate	49-10
C209 4620	Upper Cover - Drum Side Plate	49- 2
C209 4624	Front Side Plate	49- 9
C209 4634	Drum Lock Spring - Left	49-11
C209 4637	Right Stopper - Drum Lock	49-19
C209 4638	Left Stopper - Drum Lock	49-21
C209 4639	Release Lever - Drum Lock	49-18
C209 4641	Ink Holder	47-31

Part No.	Description	Paper and Index No.
C209 4642	Drum Lock Spring	49-22
C209 4648	Front Drum Flange	51- 13
C209 4653	Drum Shaft Bracket	55-28
C209 4654	Spacer - 16x36x5.7	55- 9
C209 4661	Front Side Plate - Ink Roller	55-24
C209 4662	Rear Side Plate - Ink Roller	55- 7
C209 4664	Ink Roller Stay	55-23
C209 4666	Ink Roller	55-22
C209 4670	Ink Pump	47-33
C209 4672	Gear - 50Z	53- 15
C209 4673	Gear - 62Z	51- 16
C209 4674	Gear - 25Z	47- 11
C209 4677	Clutch Bracket	47- 15
C209 4678	Front Drum Flange Cover	51- 14
C209 4679	Rear Cover - Drum Flange	53- 13
C209 4681	Stopper Plate	51-15
C209 4682	Screen Front Plate	53-27*
C209 4683	Screen Rear Plate	53-22
C209 4688	Gear Support Plate	53- 12
C209 4689	Interrupter Plate	53- 9
C209 4701	Ink Tube Nipple	55- 11
C209 4703	Ink Tube	55- 13
C209 4704	Packing - Ink Tube	55- 12
C209 4705	Ink Distributor	55- 15
C209 4711	Hose Clamp	45- 2
C209 4711	Hose Clamp	47-24
C209 4711	Hose Clamp	55- 14
C209 4712	Spacer	55-30
C209 4715	Shaft Stay - Ink Roller	55- 16
C209 4722	Doctor Roller	55-20
C209 4749	Grounding Plate	55- 1
C209 4801	Metal Screen	51- 12
C209 4813	Metal Screen Mylar	51- 11
C209 4815	Ink Tube - Small	47-22
C209 4816	Stopper Plate - Ink Antechamber	47-23

Part No.	Description	Paper and Index No.
C209 4835	Tetron Screen	53- 18
C209 4850	Screen Mylar	53- 19
C209 4852	Gear - 46Z	47- 5
C209 4867	Gear - 64Z	47- 18
C209 4923	Right Shaft - Ink Holder	47-26
C209 4930	Seal - 0.1x5x17	47-27
C209 4938	Clamper Magnet	53-24
C209 4941	Clamper Shaft	53-25
C209 4945	Drum Clamper Base Ass'y	53- 17
C209 4947	Clamper Rubber	53-21
C209 5008	Adjusting Screw	29-21
C209 5009	Separation Release Solenoid	29-13
C209 5010	Release Lever	29- 11
C209 5012	Release Lever Bracket	29- 14
C209 5016	Spring - Release Lever	29- 12
C209 5020	Separation Plate	29-22
C209 5024	Paper Return Arm	29- 7
C209 5025	Paper Return Arm Shaft	29- 9
C209 5026	Gear - 52Z	29- 8
C209 5027	Gear - 20/40Z	29- 4
C209 5029	Paper Return Bracket	29-10
C209 5030	Gear Shaft - Middle	29- 5
C209 5031	Tension Spring	29- 6
C209 5035	Arm - Feed Roller Holder	25-18
C209 5041	Paper Table	21- 14
C209 5041	Paper Table	23-16
C209 5047	Switch Bracket - Paper Table	21- 12
C209 5050	Paper Guide Rack	23-24
C209 5053	Arm - Paper Table	23-30
C209 5054	Table Position Knob	23-18
C209 5055	Bracket - Paper Size	21- 10
C209 5058	Paper Size Plate	23-23
C209 5071	Safety Switch Plate	15-24
C209 5073	Sensor Cover	21- 1
C209 5078	Insulating Sheet	21- 16

Part No.	Description	Paper and Index No.
C209 5080	Stepped Screw	25- 13
C209 5081	Spring Link	25-15
C209 5082	Paper Feed Guide - Left Side	23- 8
C209 5085	Paper Feed Guide - Right Side	23-10
C209 5090	Rubber Plate - Paper Feed Guide	23- 4
C209 5092	Rubber Plate Lever	23- 7
C209 5094	Insulating Sheet	85-20
C209 5095	Lower Separation Roller	27- 8
C209 5096	Separation Roller Shaft	27- 7
C209 5151	Cassette Body - Large	87- 14
C209 5152	Cover Stopper - Large	87- 1
C209 5155	Bottom Plate - Large	87-10
C209 5162	Bottom Plate - Small	87-21
C209 5164	Cassette Body - Small	87-22
C209 5171	Magnet Holder	87-16
C209 5175	Side Fence	87- 4
C209 5180	Decal - Paper Size - Large	87-20
C209 5180	Decal - Paper Size - Large	113-13
C209 5181	Decal - Paper Size - Small	87- 9
C209 5181	Decal - Paper Size - Small	113-13
C209 5182	Decal - Magnet - Large	87-17
C209 5182	Decal - Magnet - Large	113-14
C209 5183	Decal - Magnet - Small	87-23
C209 5183	Decal - Magnet - Small	113-14
C209 5201	Gear - 14Z	31-25
C209 5203	Lower Feed Roller	31-20
C209 5205	Left Lever Bracket	27- 14
C209 5206	Right Lever Bracket	27- 11
C209 5207	Spring Plate - Left Lever	27- 15
C209 5208	Spring Plate - Right Lever	27-10
C209 5209	Separation Pressure Lever	27-13
C209 5210	Left Lever Cover	27-16
C209 5211	Right Lever Cover	27-12
C209 5215	Lower Paper Guide Plate	31-15
C209 5216	Rubber Plate - Guide Plate	31-16

Part No.	Description	Paper and Index No.
C209 5220	Spacer - 4x20x6	25- 1
C209 5225	Feed Roller Holder	25-20
C209 5229	Gear - 18Z	25-39
C209 5235	Paper Table Holder	23-11
C209 5505	Press Roller Shaft	35-13
C209 5507	Sensor Actuator	35- 1
C209 5515	Paper Detecting Arm	31-27
C209 5521	Joint Shaft	35-17
C209 5526	Press Roller Spring	35-14
C209 5543	Press Roller Spring Link	35-18
C209 5550	Press Roller Stay	35- 8
C209 5552	Left Arm - Press Roller	35- 7
C209 5553	Right Arm - Press Roller	35- 9
C209 5554	Press Roller	35- 4
C209 5556	Collar - Press Roller	35- 3
C209 5560	Press Roller Cam	17-10
C209 5570	Adjusting Plate - Exit Pawl	35-10
C209 5573	Pressure ON/OFF Lever	35- 5
C209 6002	Vacuum Base Plate	37- 8
C209 6002	Vacuum Base Plate	39-14
C209 6003	Vacuum Plate Bracket	39- 2
C209 6005	Vacuum Plate	39- 1
C209 6009	Drive Roller - Transport Belt	37- 2
C209 6016	Transport Belt	37- 3
C209 6017	Vacuum Duct	37- 4
C209 6019	Idler Roller - Transport Belt	37- 1
C209 6025	Transport Left Wing	39- 7
C209 6028	Transport Right Wing	39- 5
C209 6037	Right Support Plate - Vacuum Plate	39-11
C209 6038	Left Support Plate - Vacuum Plate	39-13
C209 6050	Bushing - 4x8x6mm	39- 6
C209 6051	Transport Wing Knob	39- 8
C209 6052	Drive Roller Arm	37- 7
C209 6064	Gear - 28Z	45-15
C209 6065	Drive Shaft - Vacuum Roller	45-28

Part No.	Description	Paper and Index No.
C209 6067	Timing Belt - 220XL025G	45-26
C209 6104	Exit Cam Shaft	41- 2
C209 6107	Left Exit Cam	41-27
C209 6110	Right Exit Cam	41- 1
C209 6112	Left Adjusting Lever	41-29
C209 6113	Right Adjusting Lever	41- 5
C209 6114	Tension Spring	41- 3
C209 6115	Left Adjusting Lever Spring	41-30
C209 6116	Right Adjusting Lever Spring	41- 4
C209 6117	Adjusting Lever Shaft	41- 6
C209 6119	Delivery Table Cover	43-21
C209 6122	Front Stay - Delivery Table	43-27
C209 6126	Stud - M4	43-30
C209 6127	Left Stay - Delivery Table	43-33
C209 6128	Right Stay - Delivery Table	43-32
C209 6136	Magnet Plate	43-19
C209 6137	Magnet Catch Cover	43-34
C209 6141	Guide Fence Rail	43-26
C209 6142	Guide Fence Slider	43-16
C209 6143	Guide Fence Knob	43-25
C209 6144	Guide Fence Shaft	43-14
C209 6145	Guide Fence Bracket	43-29
C209 6146	Front Guide Fence	43-22
C209 6147	Rear Guide Fence	43-23
C209 6149	Guide Fence Spring	43-28•
C209 6150	End Fence Spring	43-17
C209 6151	End Fence Support Rail	43-15
C209 6152	Small End Fence	43-13
C209 6153	Bracket - Support end Fence	43-18
C209 6154	End Fence	43- 1
C209 6156	Sponge Seal -4.5x65x175	43- 2
C209 6157	End Fence Shaft	43- 3
C209 6158	End Fence Bracket	43- 6
C209 6159	End Fence Spring - Large	43- 5
C209 6160	End Fence Base	43- 4

Part No.	Description	Paper and Index No.
C209 6161	Left Rail - End Fence	43- 12
C209 6162	Right Rail - End Fence	43- 7
C209 6163	Spacer - 10x18x1	43- 8
C209 6164	Rail Spring - End Fence	43- 9
C209 6167	Spacer - 10x13x3.4	43- 11
C209 6168	End Fence Washer	43- 10
C209 6175	Stud - M4	41- 16
C209 6176	Delivery Table Angle	41- 15
C209 6177	Stud - M4x11	41- 12
C209 6178	Spacer 8x20x2	41- 14
C209 6179	Spacer - 4x18x2	41- 11
C209 6180	Spring Washer - M8	41- 13
C209 6188	Sensor Actuator - Delivery Table	41- 24
C209 6193	Lock Arm - Delivery Table Sensor	41-28*
C209 6196	Actuator Link - Delivery Table	41- 25
C209 6203	Air Piston Ass'y	45- 12
C209 6204	Gear - 18/48Z	45- 16
C209 6206	Gear Shaft	45- 17
C209 6207	Gear - 75Z	45- 13
C209 6210	Air Pump Drive Shaft	45- 14
C209 6211	Piston Link - Air Pump	45- 11
C209 6213	Piston Pin - Air Pump	45- 10
C209 6215	Piston Valve	45- 7
C209 6216	O-Ring - 39	45- 8
C209 6219	Air Hose	45- 1
C209 6223	Exit Pawl Bracket	45- 20
C209 6225	Hose Clamp	45- 23
C209 6226	Exit Pawl	45- 22
C209 6230	Exit Pawl Holder	45- 19
C209 6231	Knob Screw - M4	45- 18
C209 6232	Exit Pawl Shaft	45- 24
C209 6240	Air Pump Cylinder	45- 4
C209 6241	Front Cylinder Bracket	45- 3
C209 6242	Rear Cylinder Bracket	45- 5
C209 6243	Cylinder Cover	45- 6

Part No.	Description	Paper and Index No.
C209 8012	A/D Conversion Board	67- 5
C209 8012	A/D Conversion Board	105- *
C209 8021	Paper Detection Board	21- 7
C209 8028	Thermal Head Drive Board	69- 13
C209 8028	Thermal Head Drive Board	101- *
C209 8037	Thermal Head - A3	69- 1
C209 8104	Plotter Unit Harness	85- 10
C209 8107	Brower Motor Harness	37- 10
C209 8113	Harness - Paper Detection Board	21- 9
C209 8113	Harness - Paper Detection Board	23- 31
C209 8116	Drum Master Detection Sensor	15- 12
C209 8116	Drum Master Detection Sensor	77- 11
C209 8119	Drum Relay Harness	33- 9
C209 8122	Master Eject Harness	77- 7
C209 8128	Thermal Head Harness	75- 6
C209 8131	Scanner Harness	63- 38
C209 8137	Relay Harness - Ink Detection	55- 18
C209 8140	Grounding Wire - 65mm	53- 4
C209 8146	Harness - Head Power 2	69- 17
C209 8149	Original Size Sensor Harness	63- 40
C209 8151	Flat Cable - Main/IPB - 75mm	85- 16
C209 8157	Flat Cable - IP Board - 180mm	85- 15
C209 8160	Flat Cable - Plug - 330mm	75- 8
C209 8163	Harness - Head Signal 1	69- 14
C209 8164	Harness - Head Signal 2	69- 15
C209 8166	Harness - Head Power 1	69- 16
C209 8169	Short Harness	53- 1
C209 8191	Microswitch - VAQ-4GK	83- 8
C209 8191	Microswitch - VAQ-4GK	85- 4
C209 8197	Paper Size Sensor Harness	21- 11
C209 8200	DC Main Motor - 108W	27- 2
C209 8202	Commutation Brush	27- 3
C209 8204	Vacuum Fan Motor	37- 9
C209 8208	Air Knife Motor	81- 12
C209 8212	Table Drive Motor	83- 11

Part No.	Description	Paper and Index No.
C209 8215	Stepper Motor - Scanner	63- 1
C209 8216	Stepper Motor - Piloter	71-21
C209 8219	Paper Return Motor	29- 2
C209 8224	Drum Clamper Solenoid	33- 6
C209 8227	Ink Supply Solenoid	47- 8
C209 8234	Drum Lock Solenoid	49- 6
C209 8239	Reverse Roller - Magnetic Clutch	75-18
C209 8260	Micro Motor - Master Eject	77-18
C209 8262	Release Solenoid	33-12
C209 8262	Release Solenoid	33-15
C209 8269	Master Eject Solenoid	77-12
C209 8276	Main Switch	85- 2
C209 8278	Led - Drum	85- 5
C209 8280	Image Position Sensor	19- 6
C209 8282	Pressure Plate Motor	77-34
C209 8288	Table Down Switch	25- 4
C209 8291	Grounding Wire	61-13
C209 8295	Safety Switch Relay Harness	15-26
C209 8306	Fan - DC24V	107- 2
C209 8307	Bracket	107- 3
C209 8308	Upper Cover	107- 4
C209 8309	Heat Sink - 1	107- 5
C209 8311	Heat Sink - 3	107- 7
C209 8312	Heat Sink - 4	107- 8
C209 8313	Heat Sink - DB - TRC	107- 9
C209 8314	Support Plate	107-10
C209 8317	Coil	107-17
C209 8318	Relay Harness	107-11
C209 8319	Insulating Sheet	107-12
C209 8320	Coil - L4	107-16
C209 8321	Insulating Sheet - BFG-45	107-13
C209 8500	Stud - Main Control Board	85-22
C209 8698	Operating Instructions - English - A4	113-25
C522 2417	Cover Stopper Supporter	87- 2
C522 2423	Cushion Seal - 10x19	87- 7

Part No.	Description	Paper and Index No.
C522 2431	Side Fence	87- 6
C522 2432	Rear Fence	87-18
C522 2433	Plate Nut	87-13
C522 2434	Grounding Plate	87-11
C522 2435	Screw - M3	47-34
C522 2435	Screw - M3	87-15
C525 2002	Table	89- 8
C525 2020	Left Door	89- 1
C525 2025	Right Door	89- 5
C525 2030	Door Grip	89- 2
C525 2031	Door Hinge	89- 3
C525 2032	Magnet Catch	89- 4
C525 2033	Caster	89- 7
C525 2034	Caster Stopper	89- 6
C525 2035	Buttefly Bolt	89- 9
C526 2100	Option Drum Case	89-11
C526 2110	Decal - Drum Case	89-12
C526 2113	Decal - Drum Set	89-10
C526 2150	Drum Decal - Black	89-13
C526 2151	Drum Decal - Red	89-13
C526 2152	Drum Decal - Blue	89-13
C526 2153	Drum Decal - Green	89-13
C526 2154	Drum Decal - Brown	89-13
C526 4633	Spacer	47-32
C526 8172	Relay Harness	53- 2
C529 5012	Cassette Cover - Small	87-19
C530 5012	Cassette Cover - Large	87- 3
H002 2226	Bushing - Head Roller	75-13
H006 1091	Front Fulcrum Pin	57-18
H012 1181	Bushing - M6	75- 4
5053 0223	Bushing - 8mm	45-21
5053 0223	Bushing - 8mm	63- 4
5053 0419	Bushing - 10mm	25-38
5053 0447	Bushing - 6mm	75-15
5054 0536	Magnet Catch Ass'y	39-12

Part No.	Description	Paper and Index No.
5054 0536	Magnet Catch Ass'y	49- 8
5054 0536	Magnet Catch Ass'y	69-23
5054 0536	Magnet Catch Ass'y	81- 8
5054 0536	Magnet Catch Ass'y	85-17
5056 0188	Bushing - 6mm - Long	73- 4
5056 0509	Nut Plate - Microswitch	85- 3
5070 0671	Spring - Stopper	57-12
5070 0923	Spring Washer - Rotating Table	23- 3
5203 5230	Master Sensor	69-30
5205 2680	Coupled Gear - 16T/53T	19- 5
5205 2681	Coupled Gear - 17T/50T	19- 4
5309 1023	Pinion Paper Feed Table	23-26
5324 1658	Bushing - 4x8x4.5mm	75-11
5400 3404	Stepped Screw	49-17
5403 2048	Bushing - 4mm	15-25
5403 2075	Stepped Screw	27-24
5403 2075	Stepped Screw	41-19
5403 2075	Stepped Screw	57-15
5403 2075	Stepped Screw	73- 5
5403 2075	Stepped Screw	77-17
5413 1882	Stepped Screw	47- 1
5413 2274	Spring Anchor - Release Lever	53-11
5442 1702	Small Screw - M3	43-31
5443 2713	Wave Washer	57-14
5447 2681	Snap Ring	63-23
5447 5211	Paper Size Detector	21- 2
5466 3147	Adjusting Knob	67- 1
5501 4719	Rubber Ring - Stopper	15-19
5501 5929	Spacer - 5.2 mm x 16 mm x 1	33-22
5501 7559	Spring - Master Feed	33-10
5501 7559	Spring - Master Feed	41-26
5501 8180	Flat Spring - Feed Roller Pressure	25- 3
5501 8195	Steel Ball 3/16,	25-45•
5501 8328	Spring - Feed Roller Brake	31-18
5505 3598	Spring - Ratch - Control Section	47- 9

Part No.	Description	Paper and Index No.
5505 6528	Spring - Press Roller	31-11
5505 7197	Spring - Hinge - Inking	23-25
5506 1536	Screw - M4x6	23- 2
5506 4169	Rubber Roller - Paper Feed	25-29
5506 4235	Plate Nut - Paper Pressure	25- 9
5506 4608	Bushing - Paper Hold/Down Roller -	23
5506 6069	Step Screw - Etching Middle Roller	53- 6
5506 6111	Step Screw - Stopper - Upper Guide	51- 8
5506 6197	Screw - Knife Cam - Leading Edge Cl	41- 8
5506 6314	Mylar - Master Feed Table	23- 9
5507 6015	Paper Feed Roller	25-35
5507 6032	Timing Belt Pulley - 30T	25-31
5507 6035	Timing Belt - 162XL	25-34
5507 6038	Torque Limiter - Paper Feed Roller	25-33
5507 6624	Bushing - 8x16x45mm	47- 6
5507 6624	Bushing - 8x16x45mm	47-16
5507 6624	Bushing - 8x16x45mm	63- 5
5507 6624	Bushing - 8x16x45mm	65- 2
5507 6828	Rubber Plate - Feed Table	21-15
5507 6828	Rubber Plate - Feed Table	87- 8
5600 1080	Bush - Paper Feed Roller - Left	31-26
5600 1081	Right Bushing - Paper Feed Roller	25-42
5600 1086	Spacer - 10.2 x 20	25-28
5600 1086	Spacer - 10.2 x 20	33-28
5600 1107	Snap Retainer - 12	23-17
5600 1107	Snap Retainer - 12	25-44
5600 1379	Spring	49-16
5603 1045	Screw M5	41-32
5606 2066	Paper Feed Guide Disc	25-27
5606 2180	Sector Gear Spring	59-11
5606 2310	Roller	23-13
5607 2814	Roller Spring	35-12
5894 2171	Original Feed Roller	63-24
5894 2174	Timing Belt	63-19
5894 2186	Separation Roller Pulley	63-20

Part No.	Description	Paper and Index No.
5918 2223	Pulley - 24T	63-25

Part No.	Description	Paper and Index No.
0242 0025Z	Pan Head Screw - M2x2.5	29-104
0242 0040Z	Pan Head Screw - M2x4	29-108
0312 5050Z	Philips Pan Head Screw - M2.5x5	59-100
0312 5050Z	Philips Pan Head Screw - M2.5x5	61-112
0312 5050Z	Philips Pan Head Screw - M2.5x5	73-109
0313 0030Z	Philips Pan Head Screw - M3x3	77-101
0313 0040B	Philips Pan Head Screw - M3x4	19-100
0313 0040Z	Philips Pan Head Screw - M3x4	33-107
0313 0040Z	Philips Pan Head Screw - M3x4	39-108
0313 0040Z	Philips Pan Head Screw - M3x4	41-102
0313 0040Z	Philips Pan Head Screw - M3x4	47-101
0313 0040Z	Philips Pan Head Screw - M3x4	55-106
0313 0040Z	Philips Pan Head Screw - M3x4	69-100
0313 0040Z	Philips Pan Head Screw - M3x4	83-116
0313 0050Z	Philips Screw - 3x5	27-109
0313 0050Z	Philips Screw - 3x5	29-102
0313 0050Z	Philips Screw - 3x5	31-108
0313 0050Z	Philips Screw - 3x5	55-117
0313 0050Z	Philips Screw - 3x5	57-104
0313 0050Z	Philips Screw - 3x5	59-104
0313 0050Z	Philips Screw - 3x5	61-103
0313 0050Z	Philips Screw - 3x5	69-102
0313 0050Z	Philips Screw - 3x5	73-105
0313 0050Z	Philips Screw - 3x5	75-105
0313 0050Z	Philips Screw - 3x5	77-106
0313 0050Z	Philips Screw - 3x5	83-108
0313 0060Z	Philips Pan Head Screw - M3x6	15-109
0313 0060Z	Philips Pan Head Screw - M3x6	35-112
0313 0060Z	Philips Pan Head Screw - M3x6	43-104
0313 0060Z	Philips Pan Head Screw - M3x6	45-110
0313 0060Z	Philips Pan Head Screw - M3x6	57-102
0313 0060Z	Philips Pan Head Screw - M3x6	63-101
0313 0060Z	Philips Pan Head Screw - M3x6	65-104
0313 0060Z	Philips Pan Head Screw - M3x6	67-108
0313 0060Z	Philips Pan Head Screw - M3x6	69-101

Part No.	Description	Paper and Index No.
0313 0060Z	Philips Pan Head Screw - M3x6	73-101
0313 0060Z	Philips Pan Head Screw - M3x6	75-100
0313 0060Z	Philips Pan Head Screw - M3x6	85-100
0313 0080Z	Philips Screw - 3x8	73-107
0313 0100Z	Philips Pan Head Screw - M3x10	21-108
0313 0100Z	Philips Pan Head Screw - M3x10	39-103
0313 0100Z	Philips Pan Head Screw - M3x10	73-102
0313 0120Z	Philips Screw - 3x12	15-113
0313 0120Z	Philips Screw - 3x12	59-107
0313 0120Z	Philips Screw - 3x12	85-107
0313 0140Z	Philips Pan Head Screw - M3x14	63-106
0313 0140Z	Philips Pan Head Screw - M3x14	67-100
0313 0140Z	Philips Pan Head Screw - M3x14	79-109
0313 0140Z	Philips Pan Head Screw - M3x14	85-103
0313 0200Z	Philips Screw - 3x20	65-108
0313 0350Z	Pan Head Screw - M3x35	81-107
0314 0050Z	Philips Pan Head Screw - M4x5	45-109
0314 0050Z	Philips Pan Head Screw - M4x5	67-112
0314 0050Z	Philips Pan Head Screw - M4x5	77-104
0314 0060Z	Philips Pan Head Screw - M4x6	15-108
0314 0060Z	Philips Pan Head Screw - M4x6	25-111
0314 0060Z	Philips Pan Head Screw - M4x6	47-113
0314 0060Z	Philips Pan Head Screw - M4x6	49-105
0314 0060Z	Philips Pan Head Screw - M4x6	55-114
0314 0060Z	Philips Pan Head Screw - M4x6	65-109
0314 0060Z	Philips Pan Head Screw - M4x6	69-103
0314 0060Z	Philips Pan Head Screw - M4x6	71-101
0314 0060Z	Philips Pan Head Screw - M4x6	79-110
0314 0060Z	Philips Pan Head Screw - M4x6	81-108
0314 0080Z	Philips Screw - 4x8	13-101
0314 0080Z	Philips Screw - 4x8	15-107
0314 0080Z	Philips Screw - 4x8	19-103
0314 0080Z	Philips Screw - 4x8	23-102
0314 0080Z	Philips Screw - 4x8	25-105
0314 0080Z	Philips Screw - 4x8	27-115

Part No.	Description	Paper and Index No.
0314 0080Z	Philips Screw - 4x8	31-102
0314 0080Z	Philips Screw - 4x8	39-109
0314 0080Z	Philips Screw - 4x8	41-103
0314 0080Z	Philips Screw - 4x8	45-100
0314 0080Z	Philips Screw - 4x8	53-100
0314 0080Z	Philips Screw - 4x8	55-103
0314 0080Z	Philips Screw - 4x8	61-110
0314 0080Z	Philips Screw - 4x8	65-103
0314 0080Z	Philips Screw - 4x8	79-102
0314 0080Z	Philips Screw - 4x8	81-102
0314 0080Z	Philips Screw - 4x8	83-100
0314 0080Z	Philips Screw - 4x8	85-113
0314 0100W	Philips Pan Head Screw - M4x10	63-110
0314 0100Z	Philips Screw - 4x10	25-100
0314 0100Z	Philips Screw - 4x10	33-106
0314 0100Z	Philips Screw - 4x10	35-102
0314 0100Z	Philips Screw - 4x10	61-106
0314 0120Z	Philips Screw - 4x12	23-100
0314 0120Z	Philips Screw - 4x12	27-113
0314 0120Z	Philips Screw - 4x12	55-111
0314 0160Z	Philips Pan Head Screw - M4x16	83-112
0314 0200Z	Philips Screw - 4x20	31-103
0314 0200Z	Philips Screw - 4x20	33-104
0315 0060Z	Philips Screw - 5x6	17-117
0315 0080Z	Philips Screw - 5x8	19-117
0315 0120Z	Philips Screw - 5x12	13-104
0315 0120Z	Philips Screw - 5x12	83-113
0323 0050Z	Philips Sunken Head Screw - M3x5	51-101
0323 0060Z	Philips Sunk Screw - M3x6	43-107
0323 0060Z	Philips Sunk Screw - M3x6	87-102
0323 0080Z	Sunk Screw - 3x8	17-100
0323 0080Z	Sunk Screw - 3x8	53-110
0323 0100W	Philips Sunken Head Screw - M3 x 10	21-100
0323 0100Z	Philips Sunken Head Screw - M3x10	23-104
0323 0100Z	Philips Sunken Head Screw - M3x10	25-103

Part No.	Description	Paper and Index No.
0323 0100Z	Philips Sunken Head Screw - M3x10	69-109
0333 0060D	Philips Counter Sunk Screw - M3x6	11-103
0343 0060W	Philips Pan Head Screw - M3x6	43-101
0344 0080D	Philips Truss Head Screw - M4x8	11-102
0344 0080D	Philips Truss Head Screw - M4x8	65-112
0353 0060D	Sunk Screw - 3x6	57-101
0413 0052Z	Tapping Screw - M3x5	87-101
0433 0060W	Tapping Screw - M3x6	67-110
0433 0060W	Tapping Screw - M3x6	83-117
0433 0060Z	Tapping Screw - M3x6	65-106
0433 0060Z	Tapping Screw - M3x6	79-116
0433 0062B	Tapping Screw - M3 x 6 mm	45-101
0433 0062Z	Hexagon Head Tapping Screws - M3x6	57-100
0433 0080Z	Tapping Screw - M3x8	35-111
0433 0080Z	Tapping Screw - M3x8	65-102
0433 0082Z	Tapping Screw - M3x8	87-100
0434 0060Z	Tapping Screw - M4x6	47-107
0434 0060Z	Tapping Screw - M4x6	49-100
0434 0060Z	Tapping Screw - M4x6	69-110
0434 0060Z	Tapping Screw - M4x6	77-102
0434 0060Z	Tapping Screw - M4x6	79-107
0434 0060Z	Tapping Screw - M4x6	81-103
0434 0062W	Pan Head Tapping Screw - M4x6	81-106
0434 0080Z	Tapping Screw - M4x8	13-102
0434 0080Z	Tapping Screw - M4x8	15-105
0434 0080Z	Tapping Screw - M4x8	19-102
0434 0080Z	Tapping Screw - M4x8	25-104
0434 0080Z	Tapping Screw - M4x8	29-100
0434 0080Z	Tapping Screw - M4x8	31-105
0434 0080Z	Tapping Screw - M4x8	33-101
0434 0080Z	Tapping Screw - M4x8	39-100
0434 0080Z	Tapping Screw - M4x8	41-108
0434 0080Z	Tapping Screw - M4x8	47-111
0434 0080Z	Tapping Screw - M4x8	63-108
0434 0080Z	Tapping Screw - M4x8	65-111

Part No.	Description	Paper and Index No.
0434 0080Z	Tapping Screw - M4x8	67-111
0434 0080Z	Tapping Screw - M4x8	69-104
0434 0080Z	Tapping Screw - M4x8	71-104
0434 0080Z	Tapping Screw - M4x8	81-100
0434 0080Z	Tapping Screw - M4x8	83-103
0434 0080Z	Tapping Screw - M4x8	85-106
0434 0082Z	Tapping Screw - M4x8	55-113
0434 0100Z	Pan Head Self-tapping Screw - M4x10	15-104
0434 0100Z	Pan Head Self-tapping Screw - M4x10	49-103
0553 0100E	Allen Screw - M3x10	65-107
0553 0100E	Allen Screw - M3x10	67-104
0554 0040E	Allen Screw - M4x4	25-114
0554 0040E	Allen Screw - M4x4	37-104
0554 0040E	Allen Screw - M4x4	63-100
0554 0040E	Allen Screw - M4x4	65-100
0554 0040E	Allen Screw - M4x4	67-109
0573 0040E	Hexagon Headless Set Screw - M3x4	55-118
0573 0050E	Hexagon Headless Set Screw - M3x5	19-122
0573 0050E	Hexagon Headless Set Screw - M3x5	31-111
0573 0050E	Hexagon Headless Set Screw - M3x5	35-106
0574 0040E	Hexagon Headless Set Screw - M4x4	17-106
0574 0040E	Hexagon Headless Set Screw - M4x4	25-113
0574 0040E	Hexagon Headless Set Screw - M4x4	27-106
0574 0040E	Hexagon Headless Set Screw - M4x4	71-105
0574 0040E	Hexagon Headless Set Screw - M4x4	83-104
0574 0050E	Hexagon Headless Set Screw - M4x5	17-119
0574 0050E	Hexagon Headless Set Screw - M4x5	27-112
0574 0050E	Hexagon Headless Set Screw - M4x5	47-106
0574 0050E	Hexagon Headless Set Screw - M4x5	53-115
0574 0060E	Hexagon Headless Set Screw - M4x6	27-116
0575 0080E	Hexagon Headless Set Screw - M5x8	51-107
0575 0080E	Hexagon Headless Set Screw - M5x8	53-104
0575 0080E	Hexagon Headless Set Screw - M5x8	55-108
0584 0101Z	Hexagon Bolt - M4x10	35-113
0584 0121Z	Hexagon Bolt - M4x12	35-107

Part No.	Description	Paper and Index No.
0584 0121Z	Hexagon Bolt - M4x12	45-111
0585 0100Z	Bolt - M5x10	19-108
0593 0060E	Bolt - M3x6	45-113
0593 0060E	Bolt - M3x6	67-101
0594 0060E	Socket Screw - 4x6	19-119
0594 0060E	Socket Screw - 4x6	33-118
0594 0060E	Socket Screw - 4x6	35-109
0594 0060E	Socket Screw - 4x6	55-105
0594 0060E	Socket Screw - 4x6	71-100
0594 0080E	Bolt - M4x8	15-112
0594 0080E	Bolt - M4x8	17-101
0594 0080E	Bolt - M4x8	25-110
0594 0080E	Bolt - M4x8	55-115
0594 0080Z	Bolt - M4x8	51-108
0594 0080Z	Bolt - M4x8	53-102
0594 0120E	Hexagon Bolt - M4x12	37-106
0594 0200E	Hexagon Bolt - M4x20	55-107
0595 0080E	Hexagon Bolt - M5x8	51-105
0595 0080Z	Bolt - M5x8	47-112
0595 0120E	Socket Screw - M5x12	13-103
0595 0120E	Socket Screw - M5x12	17-110
0595 0140E	Hexagon Bolt - M5x14	35-114
0595 0140E	Hexagon Bolt - M5x14	51-106
0595 0140E	Hexagon Bolt - M5x14	53-103
0595 0140E	Hexagon Bolt - M5x14	55-109
0621 6050E	Spring Pin 1.6x5mm	29-107
0622 0060E	Spring Pin - 2x6mm	33-100
0622 0250E	Spring Pin M2x250	15-103
0623 0080E	Spring Pin - 3x8mm	47-104
0623 0080E	Spring Pin - 3x8mm	49-104
0623 0100E	Spring Pin - 3x10mm	33-120
0623 0120E	Spring Pin - 3x12mm	33-102
0623 0120E	Spring Pin - 3x12mm	59-103
0623 0120E	Spring Pin - 3x12mm	77-107
0623 0140E	Spring Pin - 3x14mm	17-116

Part No.	Description	Paper and Index No.
0623 0160E	Spring Pin - 3x16mm	37-105
0623 0160E	Spring Pin - 3x16mm	45-115
0623 0180E	Spring Pin - 3x18mm	45-116
0623 0200E	Spring Pin - 3x20mm	17-115
0624 0160E	Spring Pin - 4x16mm	19-124
0624 0160E	Spring Pin - 4x16mm	27-110
0624 0220E	Spring Pin - 4x20mm	27-111
0632 0080G	Parallel Key - 2x8mm	29-105
0632 0100G	Pin - 2x10mm	63-112
0700 0060G	Flat Washer - M6	33-121
0700 0060Z	Flat Washer - M6	23-110
0701 0030Z	Flat Washer - M3	63-111
0701 0040Z	Flat Washer - M4	19-118
0701 0040Z	Flat Washer - M4	25-109
0701 0040Z	Flat Washer - M4	33-117
0701 0040Z	Flat Washer - M4	35-110
0701 0040Z	Flat Washer - M4	67-102
0701 0050Z	Flat Washer - M5	19-109
0701 0060Z	Flat Washer - M6	55-110
0701 0060Z	Flat Washer - M6	73-108
0701 0080Z	Flat Washer - M8	23-103
0701 0080Z	Flat Washer - M8	41-104
0705 0040B	Bushing - 4x5	11-105
0705 0040B	Bushing - 4x5	61-111
0705 0040B	Bushing - 4x5	83-106
0707 3050B	Bushing - 3x5mm	39-105
0707 3080B	Bushing - 3x8mm	39-106
0707 4160B	Bushing - 4x16mm	47-105
0707 6120B	Bushing - 6x12mm	19-121
0707 8055B	Bushing - M8x5.5	43-103
0707 8070B	Bushing - M8x7	63-104
0707 8080B	Bushing - 8x8mm	67-114
0707 8105B	Bushing - M8x10.5	43-102
0708 0050Z	Flat Washer - M5	15-102
0710 0030Z	Hex Nut 3	23-109

Part No.	Description	Paper and Index No.
0710 0040Z	Hex Nut 4	35-108
0710 0040Z	Hex Nut 4	45-112
0712 0060Z	Hexagon Nut - M6	17-113
0712 0060Z	Hexagon Nut - M6	19-104
0713 0040B	Hexagon Nut - M4	25-118
0713 0040B	Hexagon Nut - M4	27-100
0713 0040B	Hexagon Nut - M4	31-110
0713 0040B	Hexagon Nut - M4	33-114
0713 0050B	Hexagon Nut - M5	15-114
0713 0050B	Hexagon Nut - M5	17-121
0713 0050B	Hexagon Nut - M5	19-120
0713 0050B	Hexagon Nut - M5	33-119
0713 0050B	Hexagon Nut - M5	45-107
0713 0050B	Hexagon Nut - M5	65-113
0713 0080B	Flanged Hexagon Nut - M8	45-108
0720 0020Z	Retaining Ring - M2	75-101
0720 0020Z	Retaining Ring - M2	83-110
0720 0020Z	Retaining Ring - M2	85-115
0720 0025Z	Retaining Ring - M2.5	75-102
0720 0030Z	Retaining Ring - M3	35-118
0720 0030Z	Retaining Ring - M3	43-100
0720 0030Z	Retaining Ring - M3	45-102
0720 0030Z	Retaining Ring - M3	59-102
0720 0030Z	Retaining Ring - M3	61-101
0720 0030Z	Retaining Ring - M3	73-106
0720 0030Z	Retaining Ring - M3	77-103
0720 0030Z	Retaining Ring - M3	79-105
0720 0040Z	Retaining Ring - M4	19-101
0720 0040Z	Retaining Ring - M4	23-106
0720 0040Z	Retaining Ring - M4	25-106
0720 0040Z	Retaining Ring - M4	25-108
0720 0040Z	Retaining Ring - M4	29-106
0720 0040Z	Retaining Ring - M4	33-110
0720 0040Z	Retaining Ring - M4	35-117
0720 0040Z	Retaining Ring - M4	37-101

Part No.	Description	Paper and Index No.
0720 0040Z	Retaining Ring - M4	41-109
0720 0040Z	Retaining Ring - M4	45-103
0720 0040Z	Retaining Ring - M4	59-101
0720 0040Z	Retaining Ring - M4	67-107
0720 0040Z	Retaining Ring - M4	69-108
0720 0040Z	Retaining Ring - M4	73-100
0720 0040Z	Retaining Ring - M4	75-103
0720 0040Z	Retaining Ring - M4	77-100
0720 0040Z	Retaining Ring - M4	79-104
0720 0050Z	Retaining Ring - M5	15-106
0720 0050Z	Retaining Ring - M5	19-123
0720 0050Z	Retaining Ring - M5	25-117
0720 0050Z	Retaining Ring - M5	29-103
0720 0050Z	Retaining Ring - M5	31-101
0720 0050Z	Retaining Ring - M5	33-122
0720 0050Z	Retaining Ring - M5	47-110
0720 0050Z	Retaining Ring - M5	51-103
0720 0050Z	Retaining Ring - M5	55-104
0720 0050Z	Retaining Ring - M5	61-100
0720 0050Z	Retaining Ring - M5	63-113
0720 0050Z	Retaining Ring - M5	73-104
0720 0050Z	Retaining Ring - M5	77-108
0720 0050Z	Retaining Ring - M5	79-114
0720 0060Z	Retaining Ring - M6	23-107
0720 0060Z	Retaining Ring - M6	25-116
0720 0060Z	Retaining Ring - M6	33-115
0720 0060Z	Retaining Ring - M6	35-104
0720 0060Z	Retaining Ring - M6	41-100
0720 0060Z	Retaining Ring - M6	45-104
0720 0060Z	Retaining Ring - M6	47-108
0720 0060Z	Retaining Ring - M6	49-106
0720 0060Z	Retaining Ring - M6	63-103
0720 0060Z	Retaining Ring - M6	65-105
0720 0060Z	Retaining Ring - M6	67-113
0720 0060Z	Retaining Ring - M6	71-106

Part No.	Description	Paper and Index No.
0720 0060Z	Retaining Ring - M6	79-106
0720 0070Z	Retaining Ring - M7	69-107
0720 0080Z	Retaining Ring - M8	17-109
0720 0080Z	Retaining Ring - M8	19-106
0720 0080Z	Retaining Ring - M8	19-111
0720 0080Z	Retaining Ring - M8	27-102
0720 0080Z	Retaining Ring - M8	33-109
0720 0080Z	Retaining Ring - M8	37-103
0720 0080Z	Retaining Ring - M8	45-105
0720 0080Z	Retaining Ring - M8	71-102
0720 0080Z	Retaining Ring - M8	79-111
0720 0100Z	Retaining Ring - M10	17-111
0720 0100Z	Retaining Ring - M10	41-101
0720 0120Z	Retaining Ring - M12	35-101
0725 0100Z	Retaining Ring - M10	17-103
0725 0160E	Retaining Ring - M16	55-101
0725 0220Z	Retaining Ring - M22	33-111
0740 3007	Ball Bearing - 7x19x6mm	33-112
0740 3007	Ball Bearing - 7x19x6mm	35-105
0740 3008	Ball Bearing	71-107
0740 3010	Ball Bearing - 10x26x8mm	31-104
0740 3012	Ball Bearing - 12x28x8	17-112
0740 3206	Ball Bearing	35-116
0740 3808	Bearing - 8x16x5mm	31-109
0741 3506	Ball Bearing - 6x12x4 mm	37-102
0741 3807S	Bearing	17-114
0741 3807S	Bearing	19-105
0741 3908S	Bearing	17-118
0800 0084	Philips Pan Head Screw - M2.3x12	21-106
0800 0084	Philips Pan Head Screw - M2.3x12	85-104
0801 0118	Screw - Washer - M4x8	79-112
0801 1004	Screw - M4x4	13-100
0801 1004	Screw - M4x4	25-102
0801 1004	Screw - M4x4	27-108
0801 1004	Screw - M4x4	31-100

Part No.	Description	Paper and Index No.
0801 1004	Screw - M4x4	63-107
0801 1004	Screw - M4x4	65-101
0801 1135	Philips Pan Head Screw - M3x3	15-110
0801 1135	Philips Pan Head Screw - M3x3	19-113
0801 1135	Philips Pan Head Screw - M3x3	29-109
0801 1135	Philips Pan Head Screw - M3x3	83-118
0802 5097	Tapping Screw - M3x10	43-108
0802 5149	Tapping Screw - M4x9	11-101
0803 0043	Screw - M3x11	61-102
0804 4046	Spring Pin - 4x16	17-105
0804 4048	Spring Pin - 4x20	17-104
0804 4048	Spring Pin - 4x20	19-125
0804 4055	Pin	25-112
0804 4060	Spring Pin - M4x22	35-115
0804 4061	Spring Pin - M6	27-105
0804 6090	Hexagon Bolt - M4	31-112
0804 6091	Hexagonal Set Screw - M2x5	53-116
0804 6092	Hexagonal Set Screw	17-108
0804 6092	Hexagonal Set Screw	53-111
0804 6101	Hexagon Bolt - M3	33-103
0805 0084	Retaining Ring	31-106
0805 3104	Ball Bearing - 8x22x7mm	19-112
0805 3134	Ball Bearing - 10x26x8mm	17-102
0805 3208	Ball Bearing - 6x10x3mm	83-115
0805 3263	Bearing - 6 x 10 x 6mm	25-115
0805 3452	Ball Bearing - 10x22x6mm	37-107
0805 3452	Ball Bearing - 10x22x6mm	45-114
0805 6009	Rubber Foot	13-105
0807 3041	Washer	77-109
0807 3044	Spacer 4.2 mm (T =1.5 mm)	59-108
0807 3083	Washer	15-111
0807 3103	Washer - 4x13x2.3mm	53-108
0807 4007	Washer - 5.2x8x0.1mm	83-114
0807 4118	Flat Washer	79-113
0807 4126	Flat Washer - 6.2x12x0.2mm	53-107

Part No.	Description	Paper and Index No.
0807 5004	Washer	33-113
0807 5044	Spacer - 8.1mm x 11.5mm x 0.2	53-106
0807 5071	Spacer - 10x0.5mm	63-118
0807 5076	Washer - 8x13x2.2mm	53-109
0807 7013	Spacer - 10.2 x 14 x 0.2 mm	17-107
0807 7013	Spacer - 10.2 x 14 x 0.2 mm	19-110
0807 7013	Spacer - 10.2 x 14 x 0.2 mm	27-101
0807 7013	Spacer - 10.2 x 14 x 0.2 mm	45-106
0807 7018	Washer - M10	19-116
0807 7018	Washer - M10	33-116
0807 7055	Holder - Main Shaft	19-107
0807 7114	Washer - 16x24x0.3mm	53-105
0807 7114	Washer - 16x24x0.3mm	55-102
0808 0021	Rubber Ring	47- 19
0905 4005Z	Philips Flange Screw - M4x5	15-115*
0951 3004Z	Philips Screw With Flat Washer - M3x4	21-109
0951 3004Z	Philips Screw With Flat Washer - M3x4	85-101
0951 3005Z	Philips Pan Head Screw - M3 x 5	21-102
0951 3005Z	Philips Pan Head Screw - M3 x 5	25-107
0951 3005Z	Philips Pan Head Screw - M3 x 5	27-107
0951 3005Z	Philips Pan Head Screw - M3 x 5	49-101
0951 3005Z	Philips Pan Head Screw - M3 x 5	59-105
0951 3005Z	Philips Pan Head Screw - M3 x 5	61-104
0951 3005Z	Philips Pan Head Screw - M3 x 5	63-117
0951 3006Z	Philips Screw With Flat Washer - M3	15-100
0951 3006Z	Philips Screw With Flat Washer - M3	23-108
0951 3006Z	Philips Screw With Flat Washer - M3	25-101
0951 3006Z	Philips Screw With Flat Washer - M3	29-101
0951 3006Z	Philips Screw With Flat Washer - M3	33-105
0951 3006Z	Philips Screw With Flat Washer - M3	63-114
0951 3006Z	Philips Screw With Flat Washer - M3	67-105
0951 3006Z	Philips Screw With Flat Washer - M3	69-106
0951 3006Z	Philips Screw With Flat Washer - M3	77-105
0951 3006Z	Philips Screw With Flat Washer - M3	85-112
0951 3008Z	Philips Screw With Flat Washer - M3	23-111

Part No.	Description	Paper and Index No.
0951 3008Z	Philips Screw With Flat Washer - M3	41-106*
0951 3008Z	Philips Screw With Flat Washer - M3	75-106
0951 3012Z	Philips Screw W/H Flat Washer - M3x12	39-104
0951 3025Z	Philips Screw With Flatwasher - M3x25	85-109
0951 4006Z	Philips Screw With Flat Washer - M4	31-107
0951 4006Z	Philips Screw With Flat Washer - M4	33-108
0951 4006Z	Philips Screw With Flat Washer - M4	47-100
0951 4006Z	Philips Screw With Flat Washer - M4	51-104
0951 4006Z	Philips Screw With Flat Washer - M4	53-113
0951 4006Z	Philips Screw With Flat Washer - M4	55-100
0951 4006Z	Philips Screw With Flat Washer - M4	73-103
0951 4008W	Philips Screw With Flat Washer - M4x8	67-103
0951 4008Z	Philips Screw With Flat Washer M4 x	23-105
0951 4008Z	Philips Screw With Flat Washer M4 x	27-104
0951 4008Z	Philips Screw With Flat Washer M4 x	35-100
0951 4008Z	Philips Screw With Flat Washer M4 x	37-100
0951 4008Z	Philips Screw With Flat Washer M4 x	37-108
0951 4008Z	Philips Screw With Flat Washer M4 x	51-100
0951 4008Z	Philips Screw With Flat Washer M4 x	53-114
0951 4008Z	Philips Screw With Flat Washer M4 x	55-116
0951 4008Z	Philips Screw With Flat Washer M4 x	61-108
0951 4010Z	Philips Screw With Flat Washer M4 x	21-107
0951 4010Z	Philips Screw With Flat Washer M4 x	47-109
0951 4010Z	Philips Screw With Flat Washer M4 x	71-103
0951 4012Z	Philips Screw With Flat Washer M4 x	63-102
0951 4020Z	Philips Screw With Flat Washer - M4	47-103
0951 5008Z	Philips Screw With Flat Washer - M5x8	79-103
0951 5035Z	Philips Screw With Flat Washer - M5	13-106
0952 4008W	Philips Screw - M4x8	29-110
0952 4008W	Philips Screw - M4x8	53-112
0957 4006B	Screw - M4x6	89-100
0957 5012B	Screw - M5x12	89-102
0960 3006B	Philips Flange Screw - M3 x 6	85-114
0960 3006Z	Philips Flange Screw - M3x6	59-106
0960 3008B	Philips Flange Screw - M3 x 8	89-101

Part No.	Description	Paper and Index No.
0960 4005Z	Philips Flange Screw - M4x5	79-101
0960 4006Z	Philips Frang Screw - M4x6	47-102
0960 4006Z	Philips Frang Screw - M4x6	49-102
0960 4006Z	Philips Frang Screw - M4x6	51-102
0960 4008Z	Flange Head Screw - 4 x 8	17-120
0960 4008Z	Flange Head Screw - 4 x 8	19-114
0960 4008Z	Flange Head Screw - 4 x 8	27-103
0960 4008Z	Flange Head Screw - 4 x 8	37-110
0960 4008Z	Flange Head Screw - 4 x 8	45-117
0960 4008Z	Flange Head Screw - 4 x 8	49-107
0960 4008Z	Flange Head Screw - 4 x 8	83-111
0960 4008Z	Flange Head Screw - 4 x 8	85-108
0960 4010Z	Philips Flange Screw - M4x10	79-100
0960 5008Z	Philips Flange Screw - M5x8	19-115
0964 3006Z	Tapping Screw With Flat Washer - M3	39-107
0964 4008Z	Tapping Screw W/Washer - M4x8	75-104
0964 4008Z	Tapping Screw W/Washer - M4x8	77-110
0964 4010Z	Tapping Screw W/Washer - M4x10	81-101
0965 3006B	Tapping Screw With Flat Washer M3x6	57-103
0965 3008W	Tapping Screw With Flat Washer - M3x8	11-100
0965 3008W	Tapping Screw With Flat Washer - M3x8	81-105
0965 3010W	Tapping Screw With Flat Washer - M3x10	21-101
0965 3010W	Tapping Screw With Flat Washer - M3x10	43-105
0965 3012W	Tapping Screw With Flat Washer - M3	43-106
0965 4008W	Tapping Screw with Flat Washer - M4x8	11-104
1004 0160	Insulating Sheet	107-139
1004 0174	Insulating Sheet	107-140
1100 0875	Connector - 1P	109-101
1100 1168	Fastening Receptacle	109-102
1100 1169	Fastening Receptacle	109-103
1100 1204	Socket - Mate-N-Lock	109-104
1100 1205	Terminal	109-105
1100 1206	Socket - Mate-N-Lock	109-106
1100 1247	Terminal	109-107
1100 1249	Receptacle Terminal	109-108

Part No.	Description	Paper and Index No.
1100 1328	Contact	109-109
1100 1374	Terminal	109-110
1100 1547	Ct Contact	109-111
1101 0328	Connector Pin Contact	93-101
1101 0328	Connector Pin Contact	99-101
1101 0328	Connector Pin Contact	101-156
1101 0328	Connector Pin Contact	105-204
1102 0185	Connector - 4P	109-112
1102 0845	Connector - 3P	105-101
1102 0913	Connector - 9P	105-104
1102 0915	Connector - 10P	101-162
1102 0915	Connector - 10P	105-105
1102 1048	Pin Housing - Mate-N-Lock - 3P	95-104
1102 1426	Connector - 3P	109-113
1102 1617	Receptacle Housing - 9P	109-114
1102 1620	Connector - 3P	109-115
1102 1691	Connector - 3P	109-116
1102 1692	Connector - 2P	109-117
1102 1749	Connector - 6P	109-118
1102 1775	Receptacle Housing - 8P	109-119
1102 1964	Connector - 2P	109-120
1102 2098	Connector - 12P	53-101
1102 2639	Connector - 12P	101-160
1102 2641	Connector - 14P	101-158
1102 2962	Connector - 1P	109-121
1102 3008	Connector - 10P	101-159
1102 3290	Connector - 50P	105-106
1102 3822	Connector - 20P	105-107
1102 3859	Connector - 20P	99-102
1102 3949	Connector - 14P	109-122
1102 3965	Connector - 14P	101-157
1102 4169	Connector - 10P	101-141
1102 4202	CT Header - 3P	95-101
1102 4205	Connector - 6P	105-102
1102 4206	CT Header - 7P	95-102

Part No.	Description	Paper and Index No.
1102 4211	CT Header - 12P	105-103
1102 4212	CT Header - 15P	93-102
1102 4213	Connector - 2P	109-123
1102 4214	CT Receptacle - 3P	109-124
1102 4215	Connector - 4P	109-125
1102 4216	CT Receptacle 5P	109-126
1102 4217	CT Receptacle 6P	109-127
1102 4219	CT Receptacle - 8P	109-128
1102 4220	CT Receptacle 9P	109-129
1102 4223	CT Receptacle 12P	109-130
1102 4224	CT Receptacle - 15P	109-131
1102 4436	CT Connector - 2P	109-132
1102 4452	CT Connector - 15P	109-133
1102 4473	CT Connector - 2P	109-134
1102 4559	Connector - 3P	109-135
1102 4560	CT Connector 6P	109-136
1102 4665	Connector - 3P	109-137
1102 4669	Connector - 12P	109-138
1102 4823	Connector - 30P	93-103
1102 4827	Connector - 26P	109-139
1102 4829	Connector - 30P	109-140
1102 4927	Connector - 4P	107-101
1102 4972	Connector - 13P	109-141
1102 4974	Connector - 13P	109-142
1102 5125	Connector - 7P	109-143
1102 5195	Connector - 5P	109-144
1102 5199	Connector - 22P	109-145
1102 5200	Connector - 20P	109-146
1102 5211	Connector - 30P	101-161
1102 5212	Connector - 30P	99-103
1102 5213	Connector - 50P	99-104
1102 5214	Connector - 68P	93-104
1102 5214	Connector - 68P	99-105
1102 5215	Connector - 26P	93-105
1102 5218	Connector - 26P	93-106

Part No.	Description	Paper and Index No.
1102 5223	Connector - 30P	93-107
1102 5232	Connector - 15P	109-147
1102 5381	Connector - 20P	107-102
1102 5382	Connector - 22P	107-103
1103 0755	Connector - 50P	93-108
1103 1098	Connector - 9P	93-109
1103 1169	Connector - 6P	95-103
1103 1331	Connector - 8P	99-106
1103 1740	Connector - 4P	105-108
1104 0296	Connector - 24P	93-110
1104 0351	Fuse Holder	93-216
1104 0351	Fuse Holder	95-131
1104 0351	Fuse Holder	107-107
1104 0413	Connetctor - 28P	93-111
1104 0413	Connetctor - 28P	99-158
1104 0436	Connector - 1P	107-106
1105 0008	Nylon Clip - 2N	61-107
1105 0009	Nylon Clip - 5N	15-116
1105 0016	Nylon Clip - 4N	37-109
1105 0016	Nylon Clip - 4N	61-109
1105 0016	Nylon Clip - 4N	85-105
1105 0106	Wire Saddle	63-116
1105 0108	Nylon Clip	69-105
1105 0108	Nylon Clip	81-104
1105 0160	Clamp	67-106
1105 0172	Clamp	39-101
1105 0172	Clamp	65-110
1105 0209	Clamp	55-112
1105 0356	Bushing	107-129
1106 0101	Cord Stopper (110,115V)	83-105
1106 0411	Bushing - 11.5mm	63-115
1106 0430	Bushing - 13mm	83-101
1107 0392	Fuse - 6.3A	41-105
1107 0392	Fuse - 6.3A	107-105
1107 0411	Fuse - 2A 125V	85-110

Part No.	Description	Paper and Index No.
1107 0411	Fuse - 2A 125V	93-112
1107 0415	Fuse 5A	85-111
1107 0415	Fuse 5A	93-113
1107 0629	Fuse - 15A 125V	41-107
1107 0629	Fuse - 15A 125V	107-104
1107 0708	Circuit Braker - 6A 250V	85-117
1107 0709	Fuse - 3.15A 125V	83-107
1107 0709	Fuse - 3.15A 125V	95-130
1204 1015	DIP Switch	93-114
1204 1320	Switch	63-105
1204 1442	Microswitch	83-109
1204 1442	Microswitch	85-102
1204 1490	Micro Switch - V-53-1A3	79-108
1204 2239	Micro Switch	21-105
1204 2263	Safety Switch	85-116
1204 2267	Micro Switch - V-162-3C25	85-102
1208 1024	Solid State Relay - 240V 2A	95-128
1208 1245	Relay - DC24V	95-107
1208 1246	Relay - AC100V	95-106
1208 1263	Relay - AC100V	95-105
1208 1297	Relay - DC24V	101-144
1208 1301	Relay - DC24V	95-127
1208 1317	Relay - DC24V	95-108
1400 0238	Transistor - 2SC2002	107-128
1400 0243	Transistor - 2SA952	101-145
1400 0291	Transistor - 2SA1020Y	93-115
1400 0340	Transistor - 2SC2532	93-116
1400 0381	Transistor - 2SA1036KR	101-152
1400 0381	Transistor - 2SA1036KR	105-111
1400 0389	Transistor - 2SC3265	101-151
1400 0389	Transistor - 2SC3265	105-110
1400 0510	Transistor - 2SC1623	101-146
1401 0200	Transistor - 2SD633	101-153
1401 0200	Transistor - 2SD633	105-109
1401 0398	IC - STA402A	93-117

Part No.	Description	Paper and Index No.
1401 0400	Transistor Array - SLA4060	93-118
1401 0466	Transistor - 2SK725	107-127
1401 0611	Diode - IS1588	95-111
1401 0629	Diode - IS953	107-121
1401 0717	Diode - V05E	95-110
1401 0822	Diode - 1SS137	107-120
1401 0835	Diode - 1SS190	93-119
1401 0835	Diode - 1SS190	101-148
1401 0835	Diode - 1SS190	105-114
1401 0853	Transistor - 2SK1017	107-126
1401 0870	Transistor - 2SK724	95-109
1401 0876	Transistor - PA2003GR	93-120
1401 0877	Transistor - TD62083F	93-121
1402 0110	Diode - V06C	93-122
1402 0110	Diode - V06C	101-147
1402 0209	Diode Array - DAN - 401	93-123
1402 0317	Zener Diode - 3.3V	107-112
1402 0426	Zener Diode - RD12FB2	95-113
1402 0452	Zener Diode - RD18FB	95-112
1402 0452	Zener Diode - RD18FB	107-111
1402 0456	Zener Diode - RD27FB2	107-114
1402 0517	Diode - 10DF2	107-118
1402 0534	Diode - 10DF6	107-116
1402 0561	Diode - 1SS101	105-112
1402 0646	Diode - S5VB20	95-114
1402 0699	Diode - FML22S	107-122
1402 0833	Zener Diode - IZ36	101-149
1402 0833	Zener Diode - IZ36	105-113
1402 0890	Diode - FML-32S	107-119
1402 1015	Diode - RBV-2506	107-115
1402 1016	Diode - FML-12S	107-124
1402 1017	Diode - EA21FC2	107-117
1402 1018	Diode - SB30-09J	107-123
1402 1019	Diode - RD24E	107-113
1403 0456	Photo Sensor	21-104

Part No.	Description	Paper and Index No.
1403 0503	IC - PC817	93-124
1403 0519	Photocoupler - TLP621	95-115
1403 0539	Photointerruptor - EE-SX450-PI	23-101
1403 0539	Photointerruptor - EE-SX450-PI	27-114
1403 0539	Photointerruptor - EE-SX450-PI	35-103
1403 0539	Photointerruptor - EE-SX450-PI	61-105
1403 0539	Photointerruptor - EE-SX450-PI	63-109
1403 0558	LED - SEL2110RTP3	93-125
1403 0690	Sensor - TLP1215	21-103
1403 0690	Photointerruptor	63-119
1403 0690	Sensor - TLP1215	79-115
1403 0691	Photo Sensor	39-102
1403 0694	Photocoupler - PS2501-3	107-110
1404 0126	Serge Absorber	107-109
1404 0143	Varistor - SNR221KD-10	95-117
1404 0165	Thermistor - 203CT-4	105-115
1404 0226	Varistor - 390V 1.0W	95-116
1405 0204	Triac - TM1641S-L	107-108
1407 1224	IC - DS0026CN-8	105-131
1407 1315	TTLIC - HD74LS86FP	105-116
1407 1502	IC - MB81256 - 15	99-125
1407 1535	IC - TD62308AP	93-126
1407 1597	IC - SN74LS10NS	99-126
1407 1598	IC - SN74LS125A	99-127
1407 1599	IC - SN74LS153NS	99-128
1407 1599	IC - SN74LS153NS	101-101
1407 1600	IC - SN74LS244NS	93-133
1407 1600	IC - SN74LS244NS	99-129
1407 1600	IC - SN74LS244NS	105-127
1407 1605	TTL - SN74LS157NS	93-134
1407 1605	TTL - SN74LS157NS	99-130
1407 1605	TTL - SN74LS157NS	101-102
1407 1610	IC - SN7407	105-117
1407 1723	IC - TC4052BF	105-129
1407 1740	IC - SN74LS27NS	99-131

Part No.	Description	Paper and Index No.
1407 1740	IC - SN74LS27NS	101-104
1407 1741	IC - SN74LS32NS	93-135
1407 1741	IC - SN74LS32NS	99-132
1407 1741	IC - SN74LS32NS	101-105
1407 1745	IC - SN74LS139NS	101-106
1407 1746	IC - SN74LS240NS	93-136
1407 1746	IC - SN74LS240NS	99-133
1407 1746	IC - SN74LS240NS	101-107
1407 1746	IC - SN74LS240NS	105-118
1407 1783	IC - SN74LS02NS	105-119
1407 1792	TTL - SN74LS374NS	105-128
1407 1813	IC - SN74LS11NS	99-134
1407 1813	IC - SN74LS11NS	105-120
1407 1879	IC - SN74LS86ANS	99-135
1407 1880	IC - SN74LS04NS	93-137
1407 1880	IC - SN74LS04NS	99-136
1407 1880	IC - SN74LS04NS	101-108
1407 1880	IC - SN74LS04NS	105-121
1407 1882	IC - SN74LS373NS	93-138
1407 1935	IC - TC4066BF	105-130
1407 2051	IC - SN74LS00NS	99-137
1407 2052	IC - SN74LS74ANS	99-138
1407 2052	IC - SN74LS74ANS	101-109
1407 2052	IC - SN74LS74ANS	105-122
1407 2058	IC - 82C54FP-6	93-127
1407 2077	IC - SN74LS138NS	93-139
1407 2077	IC - SN74LS138NS	99-139
1407 2080	IC - SN74LS21NS	99-140
1407 2081	IC - SN74LS08NS	93-140
1407 2081	IC - SN74LS08NS	99-141
1407 2081	IC - SN74LS08NS	101-110
1407 2081	IC - SN74LS08NS	105-123
1407 2218	IC - SN74LS06NS	93-141
1407 2247	IC - SN74LS164NS	93-142
1407 2249	IC - SN74LS174NS	99-142

Part No.	Description	Paper and Index No.
1407 2249	IC - SN74LS174NS	101-113
1407 2249	IC - SN74LS174NS	105-124
1407 2250	IC - SN75LS175NS	99-143
1407 2253	IC - SN74LS393NS	99-144
1407 2273	IC - TA8050P	93-128
1407 2339	TTL - IC - SN74LS241NS	101-111
1407 2347	IC - SN74LS161NS	101-112
1407 2347	IC - SN74LS161NS	105-125
1407 2348	IC - TC4051BF	93-129
1407 2386	IC - SN74LS163NS	99-145
1407 2510	IC - UPD78C10G - 36	93-130
1407 2566	IC - SN74LS166NS	99-146
1407 2594	IC - SN74LS151NS	99-147
1407 2700	IC - SN74LS137NS	105-126
1407 2725	IC - SN74LS51NS	99-148
1407 2746	IC - CXD1095Q	93-131
1407 2746	IC - CXD1095Q	99-149
1407 2776	TTL - SN74LS266NS	99-150
1407 2804	TTL - SN74LS122NS	101-114
1407 2805	IC - SN74LS03NS	99-151
1407 2977	IC - SN74ALS574NS	99-152
1407 3224	IC - LH5164LN-10	99-153
1407 3224	IC - LH5164LN-10	105-132
1407 3512	IC - MK48Z52B-20	93-217
1407 3627	IC - SN74LS145NS	93-143
1407 3674	IC - SN74LS12NS	99-154
1407 3675	IC - SN74LS33NS	99-155
1407 3676	IC - SN74S20NS	99-156
1407 3677	IC - MN8357	99-157
1407 3701	IC - TMP82C79M-2	93-132
1407 3703	IC - MB81C67-35P	101-115
1407 3704	IC - SN74LS22NS	101-103
1408 0266	IC - UPC78M05	101-155
1408 0266	IC - UPC78M05	105-143
1408 0322	IC - DAC00800LCN	105-134

Part No.	Description	Paper and Index No.
1408 0382	IC - 3122V	107-135
1408 0408	IC - PST518A	99-159
1408 0408	IC - PST518A	105-141
1408 0418	IC - PST519A	93-144
1408 0439	IC - IR9393	105-138
1408 0471	IC - TCA955	93-145
1408 0526	IC - HA3-2525-5	105-135
1408 0565	IC - UPC311G	105-137
1408 0620	IC - SI0820	107-138
1408 0622	IC - STR7101	107-132
1408 0674	IC - 1093J	107-134
1408 0684	IC - S17500A	101-150
1408 0684	IC - S17500A	105-142
1408 0685	IC - MPC814G	105-139
1408 0686	IC - MPD555G	101-154
1408 0686	IC - MPD555G	105-140
1408 0762	IC - TL082-CPS	105-136
1408 0777	IC - SEO-24N	107-133
1408 0790	IC - PC324G	93-148
1408 0830	IC - MP7684F	105-133
1408 0831	IC - UPC78M12HF	107-136
1408 0879	IC - IR9358N	93-146
1408 0880	IC - IR2339N	93-147
1408 0885	IC - UPC317HF	107-137
1408 0888	IC - HH8090B03	107-130
1408 0889	IC - HH8090B04	107-131
1503 0071	Oscillator - 12MHz	93-149
1503 0415	IC - CSA13.8MX011	99-107
1600 0335	Resistor - 33k Ω \pm 5% 2W	107-178
1600 0356	Resistor	101-125
1600 0356	Resistor	105-163
1600 1076	Resistor - 47k Ω 2W \pm 5%	107-181
1600 1115	Resistor - 0.05 Ω 5W	107-185
1600 1133	Resistor - 240 Ω 10W	107-202
1600 1228	Resistor - 10 Ω 1W 5%	107-192

Part No.	Description	Paper and Index No.
1600 1326	Resistor - 22Ω 3W ±5%	107-184
1600 1387	Resistor - 100 Ω ±5% 1W	107-195
1600 1498	Resistor - 220Ω 5W ±10%	107-206
1600 1522	Resistor - 6.8k Ω 7W ±10%	95-124
1600 1523	Resistor - 1Ω 10W ±10%	95-125
1600 1524	Resistor - 7.5Ω 10W ±10%	95-126
1601 1374	Resistor - 10Ω 0.5W 5%	107-182
1601 1387	Resistor - 10Ω 3W ±5%	107-193
1601 7370	Resistor Array - 1k Ω	99-108
1601 7374	Resistor Array - 4.7K Ω	93-150
1601 7376	Resistor Array - 10k Ω ±5% 1/8W	93-151
1601 7377	Resistor Array - 15k Ω ±5% 1/8W	93-152
1601 7396	Resistor Array - 4.7k Ω	93-153
1601 7404	Resistor Array - 10k Ω 1/2W	93-154
1601 7473	Resistor Fuse - 0.4A	107-175
1601 8145	Variable Resistor - 5k Ω 0.5W	93-155
1601 8147	Variable Resistor - 10k Ω 0.5W	105-162
1601 8157	Variable Resistor - 100k Ω	93-156
1601 8186	Variable Resistor - 200k Ω	93-157
1601 8365	Resistor - 500Ω 0.5W	107-207
1602 0989	Capacitor & Coil - 100pF 100V	105-201
1602 0991	Noise Filter - 115V	83-102
1602 1501	Resistor - 120Ω 0.1uF	95-118
1602 7043	Capacitor 220pF	105-202
1602 7048	Noise Filter - 220/240V	83-102
1604 0912	Capacitor - 47uF ±20% DC35V	107-151
1604 1008	Capacitor - 35uF 25V	105-148
1604 1140	Capacitor - 220uF DC35V ±20%	107-169
1604 1177	Capacitor - 100uF DC50V ±20%	107-155
1604 1179	Capacitor - 10uF DC50V ±20%	107-165
1604 1180	Capacitor - 470uF DC35V ±20%	107-172
1604 1317	Capacitor - 220uF Dc10V	107-166
1604 1341	Capacitor - 1000uF 16V ±20%	107-174
1604 1354	Capacitor - 100uF 10V	105-145
1604 1362	Capacitor - 4.7uF 25V	107-154

Part No.	Description	Paper and Index No.
1604 1363	Capacitor - 10uF ±20% 25V	93-158
1604 1366	Capacitor - 47uF ±20% 25V	105-147
1604 1367	Capacitor - 100uF ±20% 25V	93-159
1604 1382	Capacitor - 10uF 50V	105-149
1604 1385	Capacitor - 47uF ±20% 50V	105-146
1604 1386	Capacitor - 100uF ±20% 50V	101-121
1604 1387	Capacitor - 220 Uf 50V	93-160
1604 1387	Capacitor - 220 Uf 50V	105-144
1604 1418	Capasitor - 1uF 25V	93-161
1604 1418	Capasitor - 1uF 25V	99-109
1604 1534	Capacitor - 100uF 200V	95-119
1604 1734	Capacitor - 100uF 25V	99-110
1604 1855	Capacitor - 4.7uF 25v ±20%	105-150
1604 1984	Capacitor - 1mF 16V	105-161
1604 1986	Capacitor - 220mF 50V	101-122
1604 2000	Capacitor - 100mF DC25V ±20%	107-170
1604 2139	Capacitor - 2200uF 35V ±20%	107-162
1604 2166	Capasitor - 100uF 50V ±20%	101-123
1604 2215	Capacitor - 330uF 10V	107-173
1604 2244	Capacitor - 1500uF 200V ±20%	107-147
1604 2318	Capacitor - 22uF 50V ±20%	107-152
1604 2319	Capacitor - 3300uF 35V ±20%	107-159
1604 2335	Capacitor - 100uF 35V ±20%	107-168
1604 2359	Capacitor - 100uF DC50V ±20%	95-120
1605 0195	Capacitor - 680pF ±10%	99-111
1605 0226	Capacitor - 1000pF 50V	93-162
1605 0234	Capacitor - 220pF 50V	93-163
1605 0234	Capacitor - 220pF 50V	99-112
1605 0245	Capacitor - 1pF ±0.25pF	105-158
1605 0426	Capacitor - 1pF ±0.25%	107-149
1605 0607	Capacitor - 330pF 50V	107-164
1606 0807	Capacitor - 0.1uF 50V	101-116
1606 0807	Capacitor - 0.1uF 50V	105-152
1606 0828	Capacitor - 10000pF AC125V	107-148
1606 0930	Capacitor - 2200pF 500V	107-158

Part No.	Description	Paper and Index No.
1606 1016	Capacitor - 1000pF 500V	107-167
1606 1056	Capacitor - 0.1mF 50V	107-163
1606 1132	Capacitor - 20pF ±5%	105-156
1606 1140	Capacitor - 0.1uF +80%-20%	93-164
1606 1140	Capacitor - 0.1uF +80%-20%	99-113
1606 1140	Capacitor - 0.1uF +80%-20%	101-117
1606 1169	Capacitor - 1000pF ±10% AC400V	107-150
1606 1190	Capacitor - 150pF 50V	93-165
1606 1190	Capacitor - 150pF 50V	99-114
1606 1190	Capacitor - 150pF 50V	101-119
1606 1329	Capacitor - 330pF ±10% 50V	107-171
1606 1346	Capacitor - 0.01uF	101-124
1606 1346	Capacitor - 0.01uF	105-159
1606 1346	Capacitor - 0.01uF	107-157
1606 1350	Capacitor - 0.047uF 50V	107-153
1606 1352	Capacitor - 0.1uF 50V	105-160
1606 1450	Capacitor - 10uF 50V	105-157
1606 1452	Capacitor - 0.01uF 50V	93-166
1606 1452	Capacitor - 0.01uF 50V	99-115
1606 1452	Capacitor - 0.01uF 50V	101-118
1606 1452	Capacitor - 0.01uF 50V	105-153
1606 1453	Capacitor - 0.1uF 25V	105-151
1606 1455	Capacitor - 470pF 25V	105-154
1606 1520	Capacitor - 27pF 50V	93-167
1606 1541	Capacitor - 0.22uF 50V ±10%	107-156
1606 1638	Capacitor - 0.22mF 50V	93-168
1606 1694	Capacitor	107-161
1606 1767	Capacitor - 0.1uF 250V	107-145
1606 1825	Capacitor - 0.22uF 250V	107-146
1606 1831	Capacitor	95-129
1606 1832	Capacitor - 0.015uF 25V ±5%	93-169
1606 1833	Capacitor - 0.022NF 25V ±5%	93-170
1606 1834	Capacitor - 0.03NF 25V ±5%	93-171
1606 1835	Capacitor - 0.1NF 25V ±5%	93-172
1606 1836	Capacitor - 0.22uF ±10%	107-160

Part No.	Description	Paper and Index No.
1607 0001	Coil - SN-8S-500	93-173
1607 0001	Coil - SN-8S-500	95-121
1607 0001	Coil - SN-8S-500	99-116
1607 0001	Coil - SN-8S-500	101-143
1607 0001	Coil - SN-8S-500	105-203
1607 0393	Ferrite Core	107-125
1607 0445	Transformer - CT10V1-02	107-144
1607 0446	Coil	107-141
1607 0477	Inductor - BLM21A05	93-174
1607 0477	Inductor - BLM21A05	99-117
1607 0477	Inductor - BLM21A05	101-142
1607 0477	Inductor - BLM21A05	105-200
1607 0486	Coil	107-142
1607 0502	Coil	107-143
1610 0286	Capacitor - 100pF 50V ±10%	101-120
1610 0286	Capacitor - 100pF 50V ±10%	105-155
1611 4100	Resistor - 10 Ω 1/4W	107-187
1611 4101	Resistor - 100 Ω 1/4T ±5%	107-199
1611 4102	Resistor - 1K Ω 1/4T ±5%	93-209
1611 4102	Resistor - 1K Ω 1/4T ±5%	107-176
1611 4103	Resistor - 10k Ω 1/4T ±5%	107-188
1611 4121	Resistor - 120 Ω 1/4T ±5%	107-186
1611 4151	Resistor - 150 Ω 1/4T ±5%	107-189
1611 4152	Resistor - 1.5k Ω 1/4T ±5%	107-196
1611 4222	Resistor - 2.2Kk Ω 1/4T ±5%	107-201
1611 4302	Resistor - 3.0k Ω 1/4T ±5%	93-210
1611 4330	Resistor - 330 Ω 1/4T ±5%	101-127
1611 4330	Resistor - 330 Ω 1/4T ±5%	105-178
1611 4392	Resistor - 3.9k Ω 1/4T ±5%	95-122
1611 4470	Resistor - 47 Ω 1/4T 5%	93-211
1611 4511	Resistor - 510 Ω 1/4T ±5%	107-194
1611 4561	Resistor - 560 Ω 1/4T ±5%	107-203
1611 4683	Resistor - 68k Ω 1/4T +5%	107-190
1611 4751	Resistor - 750 Ω 1/4T ±5%	95-123
1611 4822	Resistor - 8.2k Ω 1/4T ±5%	107-191

Part No.	Description	Paper and Index No.
1611 4910	Resistor - 91 Ω 1/4T +5%	101-128
1611 6100	Resistor - 10 Ω 1/2W	107-200
1611 6101	Resistor - 100 Ω 1/2T \pm 5%	107-177
1611 6122	Resistor - 1.2k Ω \pm 5% 1/2W	101-126
1611 6153	Resistor - 15k Ω 0.5W	107-180
1611 6222	Resistor - 2.2k Ω 1/2T \pm 5%	93-212
1611 6223	Resistor - 62k Ω 0.5W	107-179
1611 6361	Resistor - 360 Ω 1/8T \pm 5%	93-213
1611 6471	Resistor - 470 Ω 1/2T \pm 5%	93-214
1611 6479	Resistor - 4.7k Ω 1/2T	107-183
1622 1001	Resistor - 1k Ω 1/4T \pm 1%	105-168
1622 1001V	Resistor - 1k Ω 1/4W \pm 1%	105-169
1622 1002V	Resistor - 10.2k Ω \pm 1% 1/4W	105-176
1622 1009V	Resistor - 10 Ω	105-164
1622 1500V	Resistor - 150 Ω	105-167
1622 2002	Resistor - 20k Ω 1/4T \pm 1%	105-177
1622 2201V	Resistor - 2.2k Ω 0.25W \pm 1%	105-170
1622 2400	Resistor - 240 Ω 0.25W \pm 1%	107-205
1622 3001V	Resistor - 3k Ω 1/4W \pm 1%	105-171
1622 4701V	Resistor - 4.7k Ω 0.25W \pm 1%	105-172
1622 4751	Resistor - 407k Ω 1/4W \pm 1%	107-204
1622 5101	Resistor - 5.1k Ω \pm 1% 1/4W	105-173
1622 6201V	Resistor - 6.2k Ω 0.25W \pm 1%	105-174
1622 6341	Resistor - 6.34k Ω 0.25W \pm 1%	107-197
1622 6801V	Resistor - 6.08k Ω 1/4W \pm 1%	105-175
1622 6809	Resistor - 68 Ω	105-165
1622 6809V	Resistor - 68 Ω	105-166
1622 9090	Resistor - 909 Ω \pm 1%	107-198
1630 2100	Resistor - 10 Ω 1/8W \pm 5%	105-179
1630 2101	Resistor - 100 Ω 1/8W	93-175
1630 2101	Resistor - 100 Ω 1/8W	105-182
1630 2102	Resistor - 1k Ω 1/8W \pm 5%	93-176
1630 2102	Resistor - 1k Ω 1/8W \pm 5%	101-130
1630 2102	Resistor - 1k Ω 1/8W \pm 5%	105-187
1630 2103	Resistor - 10k Ω 1/8W	93-177

Part No.	Description	Paper and Index No.
1630 2103	Resistor - 10k Ω 1/8W	105-195
1630 2104	Resistor - 100k Ω 1/8W \pm 5%	93-178
1630 2112	Resistor - 1.1k Ω 1/8W \pm 5%	101-138
1630 2113	Resistor - 11k Ω 1/8W \pm 5%	93-179
1630 2114	Resistor - 110k Ω 1/8W \pm 5%	105-198
1630 2122	Resistor - 1.2k Ω 1/8W \pm 5%	105-188
1630 2123	Resistor - 12k Ω 1/8W \pm 5%	93-180
1630 2124	Resistor - 120k Ω 1/8W \pm 5%	93-181
1630 2133	Resistor - 13k Ω 1/8W \pm 5%	93-182
1630 2151	Resistor - 1.5k Ω 1/8W \pm 5%	93-183
1630 2152	Resistor - 1.5k Ω 1/8W \pm 5%	93-215
1630 2164	Resistor - 160k Ω 1/8W \pm 5%	105-199
1630 2183	Resistor - 18k Ω 1/8W \pm 5%	105-196
1630 2202	Resistor - 2k Ω 1/8W \pm 5%	101-135
1630 2202	Resistor - 2k Ω 1/8W \pm 5%	105-189
1630 2203	Resistor - 20k Ω	93-184
1630 2220	Resistor - 22 Ω 1/8W \pm 5%	105-180
1630 2222	Resistor - 2.2k Ω 1/8W \pm 5%	101-132
1630 2222	Resistor - 2.2k Ohn 1/8W \pm 5%	105-190
1630 2223	Resistor - 22k Ω 1/8W \pm 5%	93-185
1630 2242	Resistor - 2.4k Ω 1/8W \pm 5%	93-186
1630 2242	Resistor - 2.4k Ω 1/8W \pm 5%	101-139
1630 2243	Resistor - 24k Ω 1/8W \pm 5%	93-187
1630 2243	Resistor - 24k Ω 1/8W \pm 5%	105-197
1630 2244	Resistor - 240k Ω 1/8W \pm 5%	93-188
1630 2301	Resistor - 300 Ω 1/8W \pm 5%	101-134
1630 2301	Resistor - 300 Ω 1/8W \pm 5%	105-183
1630 2302	Resistor - 3k Ω 1/8W \pm 5%	93-189
1630 2302	Resistor - 3k Ω 1/8W \pm 5%	101-140
1630 2303	Resistor - 30k Ω 1/8W \pm 5%	93-190
1630 2330	Resistor - 33 Ω 1/8W \pm 5%	93-191
1630 2331	Resistor - 330 Ω 1/8W \pm 5%	105-184
1630 2332	Resistor - 3.3k Ω 1/8W \pm 5%	93-192
1630 2332	Resistor - 3.3k Ω 1/8W \pm 5%	105-191
1630 2333	Resistor - 33k Ω 1/8W \pm 5%	101-137

Part No.	Description	Paper and Index No.
1630 2362	Resistor - 3.6k Ω 1/8W \pm 5%	93-193
1630 2391	Resistor - 390 Ω 1/8W	93-194
1630 2393	Resistor - 39k Ω 1/8W \pm 5%	93-195
1630 2432	Resistor - 4.3k Ω 1/8W \pm 5%	93-196
1630 2432	Resistor - 4.3k Ω 1/8W \pm 5%	105-192
1630 2470	Resistor - 47 Ω 1/8W \pm 5%	93-197
1630 2471	Resistor - 470 Ω 1/8W \pm 5%	93-198
1630 2471	Resistor - 470 Ω 1/8W \pm 5%	99-118
1630 2471	Resistor - 470 Ω 1/8W \pm 5%	101-129
1630 2471	Resistor - 470 Ω 1/8W \pm 5%	105-185
1630 2472	Resistor - 4.7k Ω 1/8W \pm 5%	93-199
1630 2472	Resistor - 4.7k Ω 1/8W \pm 5%	101-136
1630 2472	Resistor - 4.7k Ω 1/8W \pm 5%	105-193
1630 2473	Resistor - 47k Ω 1/8W \pm 5%	93-200
1630 2511	Resistor - 510 Ω 1/8W \pm 5%	93-201
1630 2513	Resistor - 51 Ω 1/8W \pm 5%	93-202
1630 2514	Resistor - 510k Ω 1/8W \pm 5%	93-203
1630 2562	Resistor - 5.6k Ω	93-204
1630 2680	Resistor - 68 Ω 1/8W \pm 5%	105-181
1630 2681	Resistor - 680 Ω 1/8W \pm 5%	101-131
1630 2681	Resistor - 680 Ω 1/8W \pm 5%	105-186
1630 2682	Resistor - 6.8k Ω 1/8W \pm 5%	101-133
1630 2682	Resistor - 6.8k Ω 1/8W \pm 5%	105-194
1630 2683	Resistor - 68k Ω 1/8W \pm 5%	93-205
1630 2752	Resistor - 7.5k Ω 1/8W \pm 5%	93-206
1630 2823	Resistor - 82k Ω 1/8W \pm 5%	93-207
1630 2824	Resistor - 820k Ω 1/8W \pm 5%	93-208
1630 3102	Resistor - 1 Ω 1/10W \pm 5%	99-120
1630 3103	Resistor - 10k Ω 1/10W \pm 5%	99-124
1630 3162	Resistor - 1.6k Ω 1/10W \pm 5%	99-121
1630 3222	Resistor - 2.2k Ω 1/10W \pm 5%	99-122
1630 3470	Resistor - 47 Ω 1/10W \pm 5%	99-119
1630 3472	Resistor - 4.7k Ω 1/10W \pm 5%	99-123

Part No.	Description	Paper and Index No.